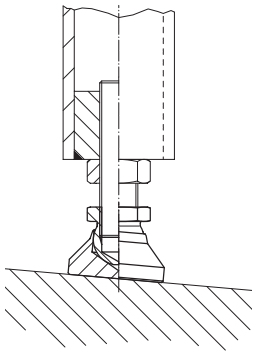


W430

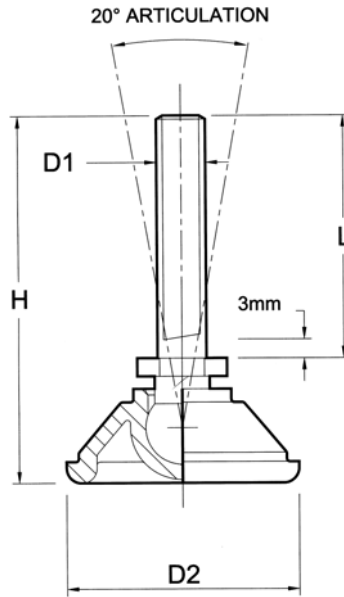


Material
 Pad: polyamide reinforced nylon.
 Bolt: Stainless steel, AISI 303.



Levelling Feet

pad plastic, bolt stainless steel



Order No.	Thread size D1	L	D2	H	Max. load capacity for static load max. Kg
W430.AC060	M 6	20	40	41	300
W430.AC061	M 6	20	50	43	300
W430.AC062	M 6	40	40	61	300
W430.AC063	M 6	40	50	63	300
W430.AC080	M 8	25	40	46	450
W430.AC081	M 8	25	50	48	450
W430.AC082	M 8	40	40	61	450
W430.AC083	M 8	40	50	63	450
W430.AC084	M 8	60	40	81	450
W430.AC085	M 8	60	50	83	450
W430.AC100	M10	38	40	59	500
W430.AC101	M10	38	50	61	500
W430.AC102	M10	60	40	81	500
W430.AC103	M10	60	50	83	500
W430.AC104	M10	75	40	96	500
W430.AC105	M10	75	50	98	500
W430.AC120	M12	50	40	73	600
W430.AC121	M12	50	50	75	600
W430.AC122	M12	75	40	98	600
W430.AC123	M12	75	50	100	600
W430.AC124	M12	100	40	123	600
W430.AC125	M12	100	50	125	600
W430.AC126	M12	125	40	148	600
W430.AC127	M12	125	50	150	600