

Casters with mounting plate

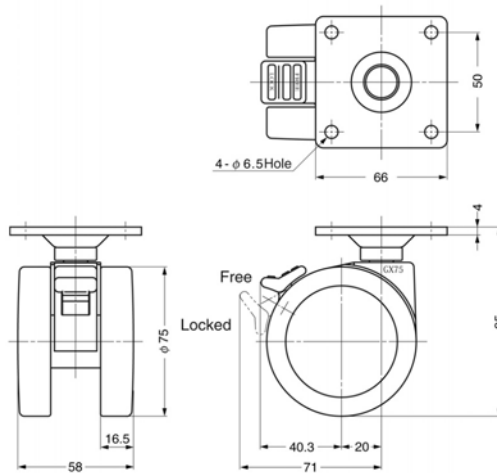


Z060



Material

Body: aluminium alloy, polished.
Wheel: polyamides, black.
Mounting plate: steel, yellow zinc chromate finish.



Order No.	Type	Load Capacity Kg	g
Z060.AC075	With brake	200	445
Z060.AC175	Without brake	200	430

Casters threaded bolt mounting

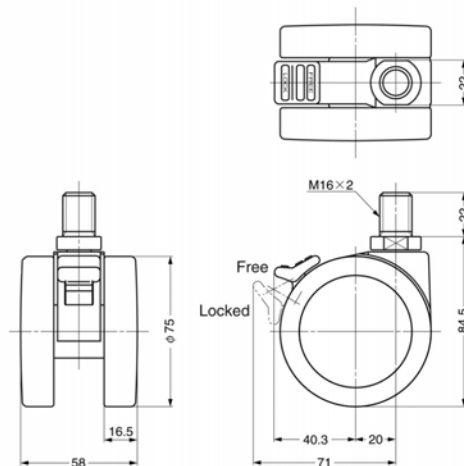


Z065



Material

Body: aluminium alloy, polished.
Wheel: polyamides, black.
Threaded bolt: steel, yellow zinc chromate finish.



Order No.	Type	Load Capacity Kg	g
Z065.AC075	With Brake	200	350
Z065.AC175	Without brake	200	340