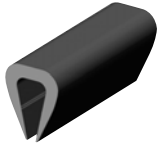


Z100



Material

PVC, black or EPDM rubber, black.
For full specification details see appendix XX.

Technical Notes

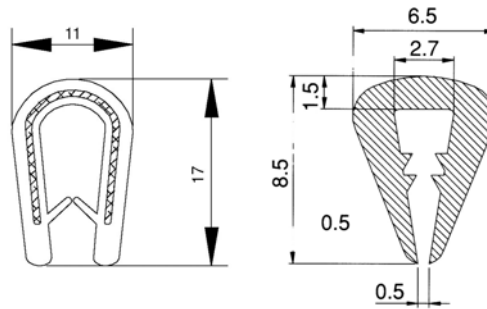
Ideal for edge protectors in electrical cabinets or machine enclosures.
Z100.AC010 has an integrated steel wire core.

Tips

Supplied subject to minimum lengths.

Edge Protectors, for Enclosures

self gripping



type one

type two

Order No.	Type	Material	Finish	Shore hardness	Width	Height
Z100.AC010	One	EPDM rubber	Black	65-15	11,0	17,0
Z100.AC020	Two	PVC	Black	-	6,5	8,5
Z100.AC030	Two	PVC	Black	-	6,5	8,5

Z120



Material

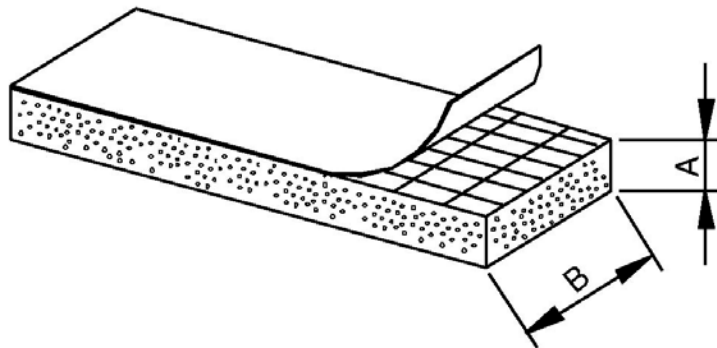
Polyethelene or Rubber.

Technical Notes

Idealing seals for use on special purpose machines or enclosures.
Supplied with self adhesive coating.
Supplied subject to minimum lengths.

Sealing Profile, Flat

self adhesive, for enclosures or cabinets



Order No. Polyethelene	Order No. Rubber	A	B
Z120.AC030	Z120.AC330	3	10
Z120.AC032	Z120.AC332	3	16
Z120.AC034	Z120.AC334	3	18
Z120.AC036	Z120.AC336	3	20
Z120.AC050	Z120.AC350	5	15
Z120.AC052	Z120.AC352	5	20
Z120.AC054	Z120.AC354	5	25
Z120.AC056	Z120.AC356	5	30
Z120.AC060	Z120.AC360	6	30
Z120.AC080	Z120.AC380	8	15