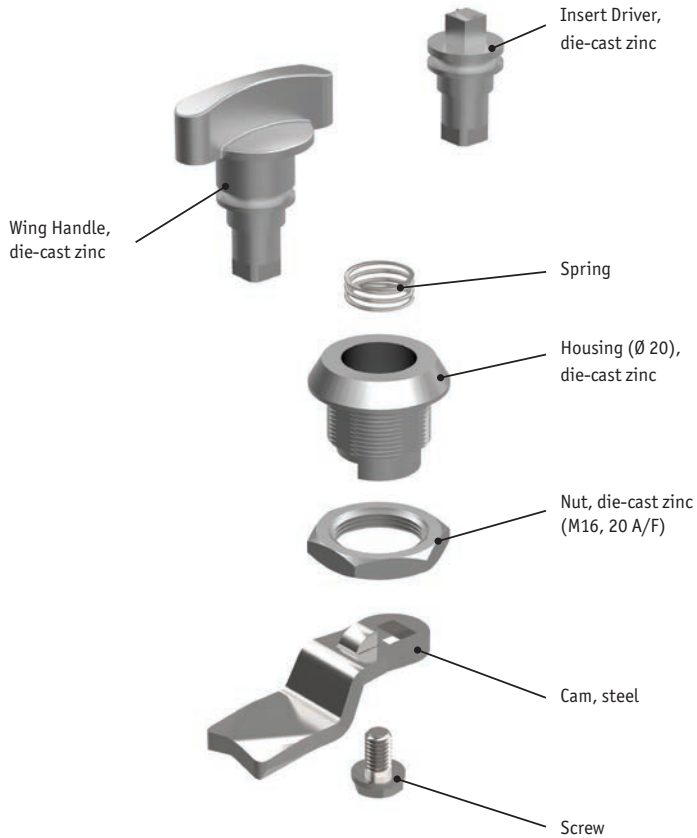
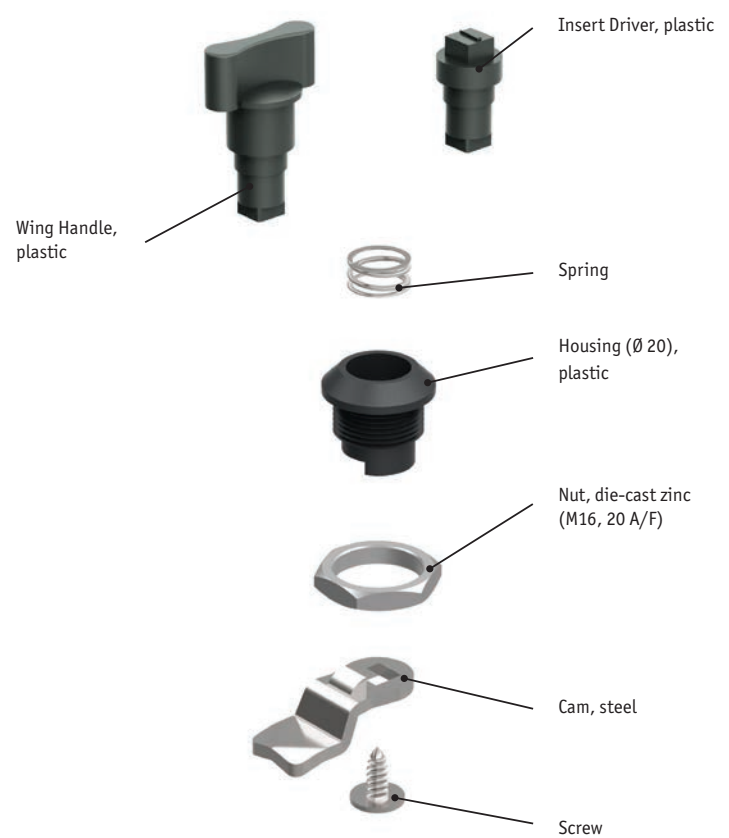


Die-Cast Zinc: A1260, A1280 off-set from frame (also A1262 in Stainless Steel)



Plastic: A1260, A1280 off-set from frame

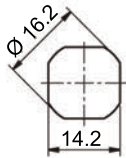


Cam Latches - Mini

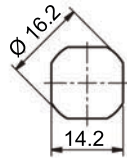


• • • **Cam Latches - Mini** • • •

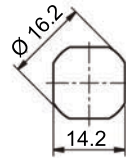
Wixroyd Part No.	A1260	A1262	A1280			
Description	Mini Cam Latch - Fixed Grip	Mini Cam Latch - Fixed Grip	Mini Cam Latch - Wing Handle - Fixed Grip			
Flexi-System	x	x	x			
Actuation Type	Insert Driver	Insert Driver	Wing knob			
Body Material	Die-cast zinc or Polyamide plastic	Stainless Steel	Die-cast zinc or Polyamide plastic			
Chrome Finish	✓		✓			
Black Coated Finish	✓		✓			
Black Finish	✓		✓			
Body Dia. (mm)	20	20	20			
Body Length LH (mm)	13,5	13,5	13,5			
IP Rating	x	x	x			
Suitable Cam Type	With Projection	With Projection	With Projection			
Suitable for 3 Point Latching	x	x	x			
Dust Cap Available	x	x	x			
Cut Out	16,2 dia / 14,2 sq	16,2 dia / 14,2 sq	16,2 dia / 14,2 sq			



cut out



cut out



cut out