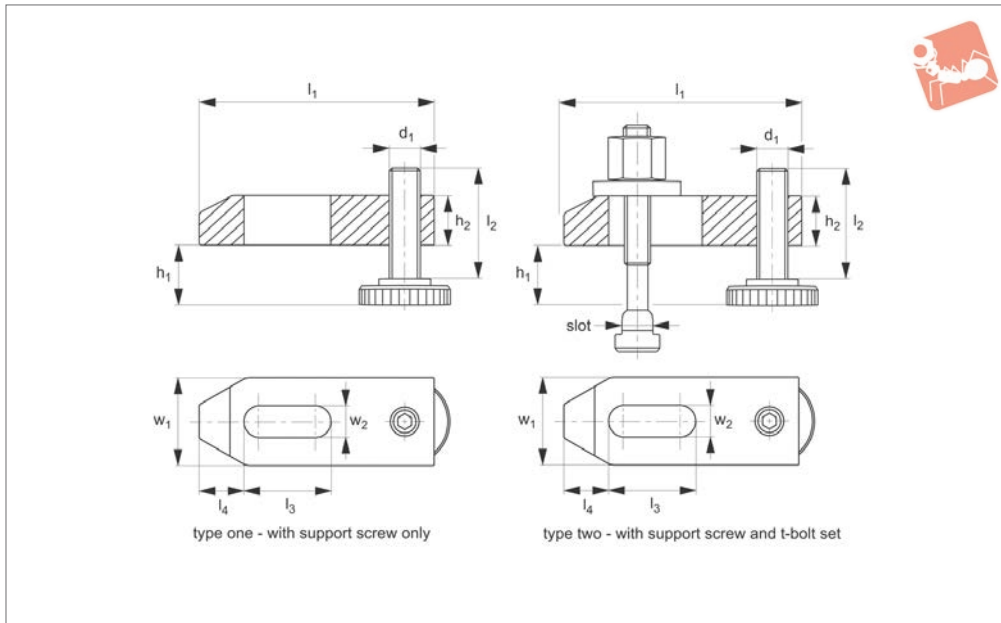




Adjustable Plain Clamps with height adjusting screw

Standard
Manual Clam-



10400

STANDARD MANUAL CLAMPING

Material

Heat-treated steel, enamelled.

Technical Notes

Type One - clamp and support screw only.

Type Two - clamp, support screw and t-bolt set.

h* - dependent on depth of slot and posi-

tion of fixture nut.

Tips

Often used for clamping press tools.

Used with:
10680 Ratchet clamp lever.
21000 T-Slot bolt.

24400 Collar Nut.

25000 Plain washer.

Replacement Parts:

Replacement support screw see part no. 10410.

Order No.	Type	For bolt	Supplied T-bolt	T-slot size	d ₁ x l ₂	h ₁	h ₂	l ₃	l ₄	w ₁	w ₂ x l ₁	Weight g
10400.W0010	One	M10	-	-	M10x39	8-37	15	30	15	30	11x80	200
10400.W0012	One	M12, M14	-	-	M12x49	10-47	20	40	21	40	14x100	560
10400.W0014	One	M12, M14	-	-	M12x94	10-92	20	40	21	40	14x100	635
10400.W0016	One	M16, M18	-	-	M16x55	13-52	25	45	26	50	18x125	1110
10400.W0018	One	M16, M18	-	-	M16x90	13-87	25	45	26	50	18x125	1230
10400.W0020	One	M20, M22	-	-	M20x69	16-65	30	60	30	60	22x160	2050
10400.W0022	One	M20, M22	-	-	M20x109	16-105	30	60	30	60	22x160	2230
10400.W0024	One	M24	-	-	M24x87	20-83	30	80	35	70	26x200	3200
10400.W0026	One	M24	-	-	M24x137	20-133	30	80	35	70	26x200	3470
10400.W0028	One	M24	-	-	M24x87	20-80	35	105	35	70	26x250	4340
10400.W0030	One	M24	-	-	M24x137	20-130	35	105	35	70	26x250	4520
10400.W0032	One	M30	-	-	M30x180	24-150	50	130	45	80	33x315	11215
10400.W0034	One	M36, M42	-	-	M30x180	24-150	80	170	80	100	43x400	24350
10400.W0110	Two	M10	M10x10x80	10	M10x39	08-32	15	30	15	30	11x80	340
10400.W0112	Two	M12, M14	M12x12x100	12	M12x49	10-40	20	40	21	40	14x100	700
10400.W0114	Two	M12, M14	M12x14x100	14	M12x49	10-38	20	40	21	40	14x100	720
10400.W0115	Two	M12, M14	M12x14x160	14	M12x94	23-92	20	40	21	40	14x100	845
10400.W0116	Two	M16, M18	M16x16x125	16	M16x55	13-48	25	45	26	50	18x125	1400
10400.W0117	Two	M16, M18	M16x16x160	16	M16x90	15-83	25	45	26	50	18x125	1610
10400.W0118	Two	M16, M18	M16x18x125	18	M16x55	13-46	25	45	26	50	18x125	1400
10400.W0119	Two	M16, M18	M16x18x160	18	M16x90	13-81	25	45	26	50	18x125	1630
10400.W0120	Two	M20, M22	M20x20x160	20	M20x69	16-65	30	60	30	60	22x160	2600
10400.W0121	Two	M20, M22	M20x20x200	20	M20x109	21-105	30	60	30	60	22x160	2930
10400.W0122	Two	M20, M22	M20x22x160	22	M20x69	16-65	30	60	30	60	22x160	2770
10400.W0123	Two	M20, M22	M20x22x200	22	M20x109	19-105	30	60	30	60	22x160	2980
10400.W0124	Two	M24	M24x28x200	28	M24x87	20-80	35	105	35	70	26x250	5486
10400.W0125	Two	M24	M24x28x250	28	M24x137	30-130	35	105	35	70	26x250	5716
10400.W0126	Two	M30	M30x36x315	36	M30x180	24-150	50	130	45	80	33x315	11995
10400.W0127	Two	M36, M42	M36x42x400	42	M30x180	24-150	80	170	80	100	43x100	25683
10400.W0113	Two	M12, M14	M12x12x160	12	M12x49	24-92	20	40	21	40	14x100	830

