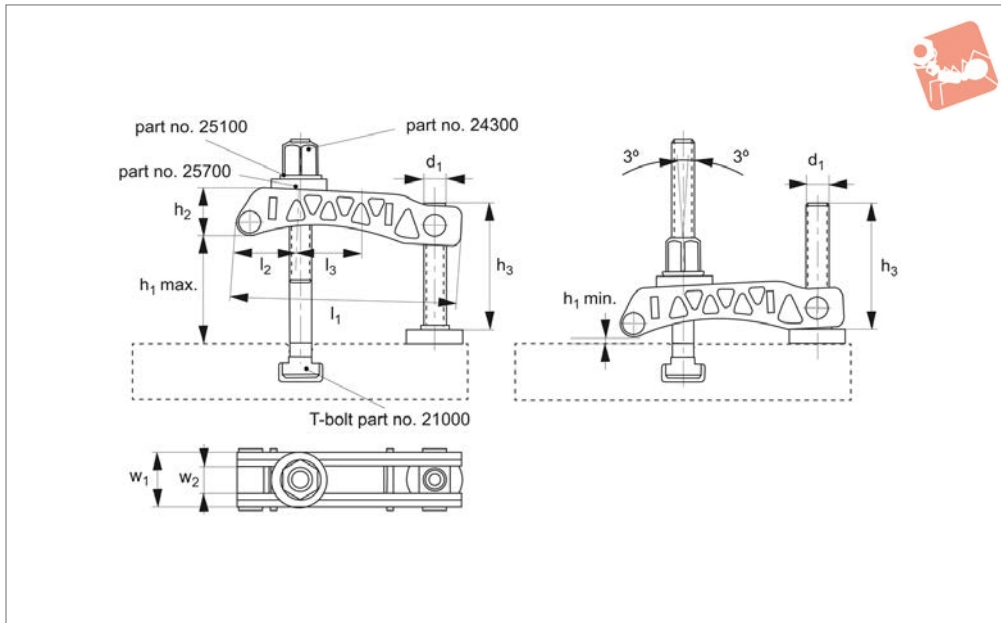




Scalloped Clamp with adjustable support screw

Standard Manual Clam-



10610.2

STANDARD MANUAL CLAMPING

Material

Steel, tempered and burnished.

Technical Notes

The weight saving device allows a 50% reduction in weight with no effect on clam-

ping force that can be applied. Useful for rotating applications.

Tips

For clamping, clamping screws (DIN 21000), stud bolts (DIN 21100) and cheese

head screws (ISO 4762) can be used. h_1 is dependent on the depth of the slot and position of the fixture nut.

Order No.	Size	For T-slot	With T-bolt	$d_1 \times h_2$	h_1 min. max.	h_3	l_1	l_2	l_3	w_1	w_2	Weight g
10610.W0122	22	20	M20x20x160	M20x69	8-58	44	200	45	77	49	25	2434
10610.W0123	22	20	M20x20x200	M20x109	8-98	44	200	45	77	49	25	2531
10610.W0126	26	24	M24x28x200	M24x87	10-81	44	250	46	116	54	30	3779
10610.W0127	26	24	M24x28x250	M24x137	10-130	44	250	59	116	54	30	3884
10610.W0133	33	36	M30x36x315	M30x180	7-214	71	315	59	152	72	40	9044
10610.W0143	43	48	M36x42x400	M30x180	7-153	80	400	74	209	102	54	17560