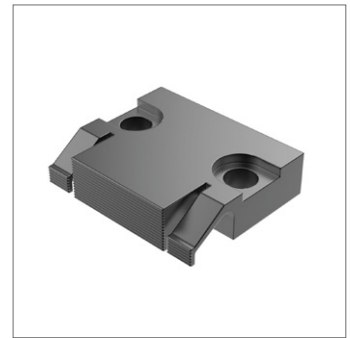
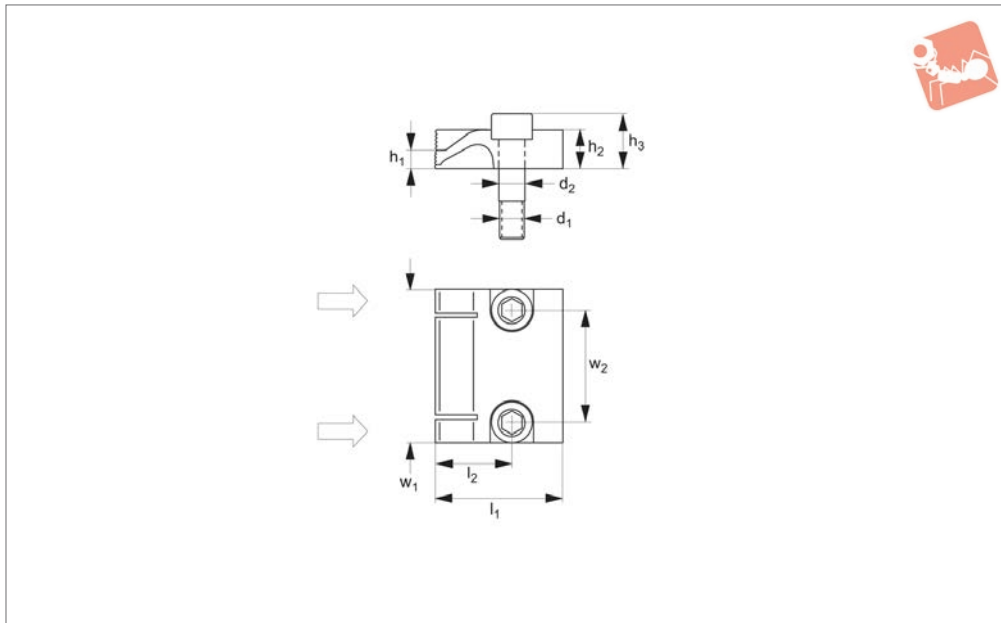




## 2.2 Ton Fixed Stop - Serrated Face

## Heavy-Duty Side Clamping



**11043**

HEAVY-DUTY SIDE CLAMPING

### Material

Spring steel.

### Technical Notes

These stops have a unique sideways and

downwards action.

### Tips

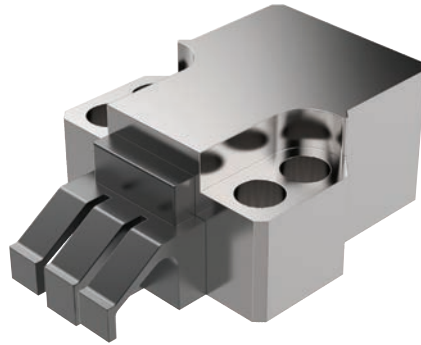
Provided with specially ground location bolts  $\varnothing 10,2 - M10$ , allowing for precise

positioning. For mounting - 2 tapped holes at  $44,00 \pm 0,005$ mm centres, M10 with depth of 28mm, counterbore 10,2 (H6) with depth of 14mm.

Order No.	Type	Clamping height $h_1$	$d_1$	$d_2$ tol. h6	$h_2$	$h_3$	$l_1$	$l_2$	$w_1$	$w_2$
11043.W0081	Serrated Face	7	M10	10.2	15	22	50	30	60	44

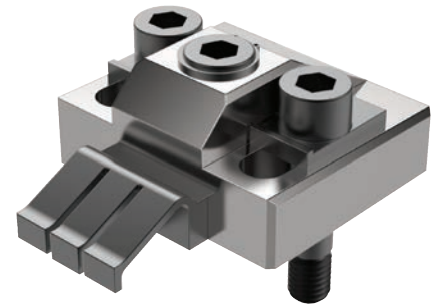


## Clamping Torque



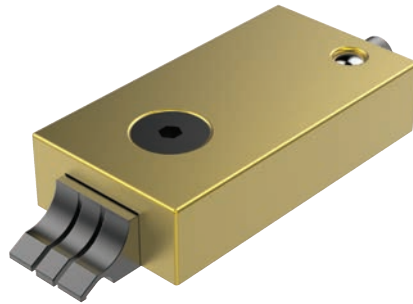
11040/CL2040

Clamping Torque N/m	Clamping Force N
50	23000
40	18000
30	12500
25	11500
20	9500



11070/CL2070

Clamping Torque N/m	Clamping Force N
60	16500
50	15000
40	12000
30	10000
25	8000
20	7000



11081/CL2081

Clamping Torque N/m	Clamping Force N
5	6600
4.5	5500
4	4900

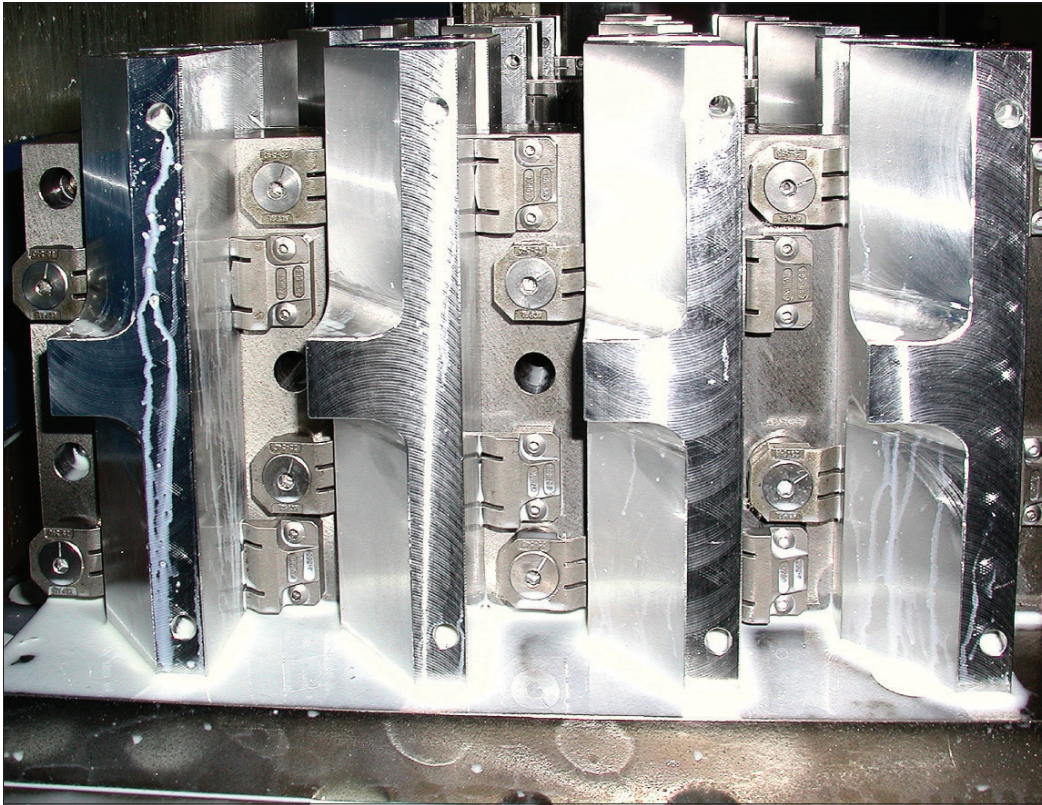


10940/CL0030

Clamping Torque N/m	Clamping Force N
8.5	4000
8	3800
7	3400
6	3000
5	2500
4	2000



### Application



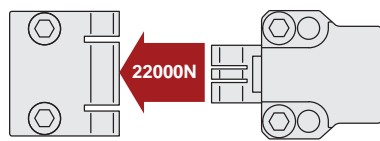
HEAVY-DUTY SIDE CLAMPING

### Unique Horizontal Clamping Set-Ups

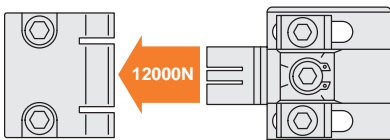
**Part No. 10900, 10920, 10940**  
T-slot table and special machining set-ups



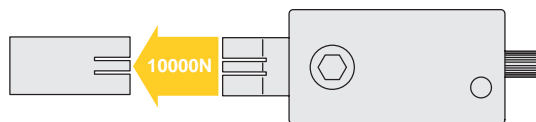
**Part No. 11040, 11041, 11042, 11043**  
Supports and special machining set-ups



**Part No. 11070, 11071**  
Supports and special machining set-ups



**Part No. 11080, 11081, 11083**  
T-slot table, supports and special machining set-ups



ov-W10920-A-T-W10940-b-rmh - Updated - 20-10-2022



## Unique Action - "three finger" Clamping

Pull down AND clamp with the highest of clamping forces – from 0,4 tons to 2,2 tons!

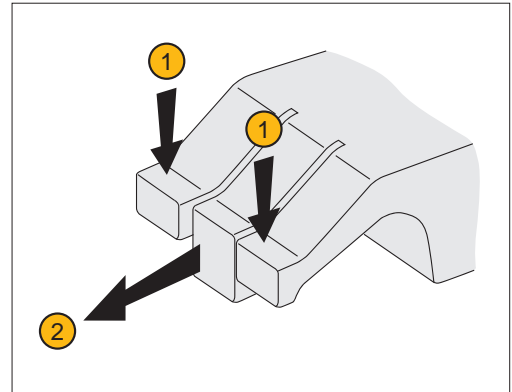
Used in our clamping series:

10900, 10940, 10880,  
10920, 11040, 11041,  
11042, 11043, 11070,  
11071, 11080, 11081,  
11082, 11083

Our horizontal clamps have a unique "three finger" arrangement ensuring components are both pulled down and clamped in the same motion. The face of the clamp is made of three parts or "fingers":

- Two outer flexible fingers (1); for pulling down the component to the work table.
- One solid central finger (2), to provide direct clamping action.

Available in two styles – smooth and serrated face. They can also cater for workpieces with an adverse angle on the clamping face – for example flame cut steel blanks.

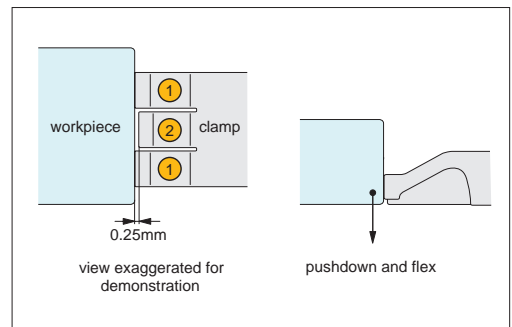


## Clamping Action

### Contact

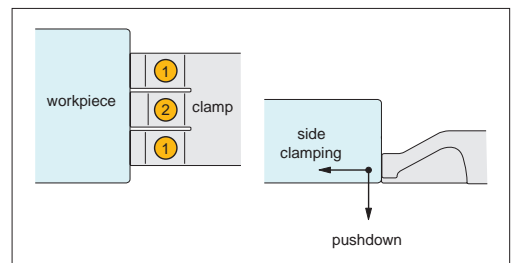
The clamps outer flexible fingers (1) are approx. 0,25mm longer than the solid central finger/clamping stop (2), this slight difference in length means it is the flexible fingers which first come into contact with the workpiece.

As initial contact is made with the work-piece the flexible fingers (1) apply downward pressure forcing the workpiece down against the work table, the flexible fingers are compressed until they are the same length as the solid central finger/clamping stop (2).



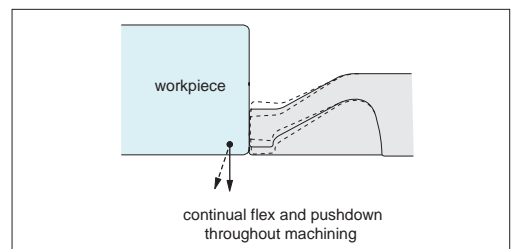
### Clamping

As the solid central finger/clamping stop (2) comes into contact with the work-piece it applies high side clamping pressure to achieve clamping forces up to 2,2 tons (dependent upon clamping model selected).



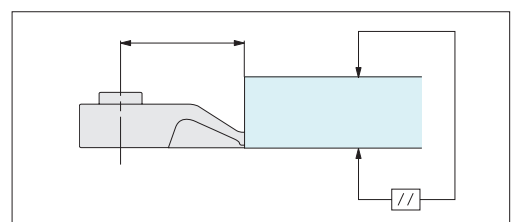
### Machining

During machining the uniquely designed flexible fingers (1) continue to flex and twist applying downward pressure to keep the workpiece flat to the work table throughout.



## Precision Positioning

The unique clamping action achieves precision positioning of workpieces – ensuring the workpiece remains parallel to the reference surface.





# Horizontal Clamping

up to 2.2 tons



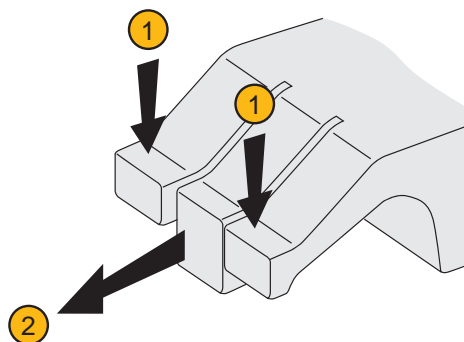
# Clamping & Height Setting

## Unique Action - "three finger" Clamping

Our horizontal clamps have a unique "three finger" arrangement ensuring components are both pulled down and clamped in the same motion. The face of the clamp is made of three parts or "fingers":

- Two outer flexible fingers ①; for pulling down the component to the work table.
- One solid central finger ②, to provide direct clamping action.

Available in two styles – smooth and serrated face. They can also cater for workpieces with an adverse angle on the clamping face – for example flame cut steel blanks.



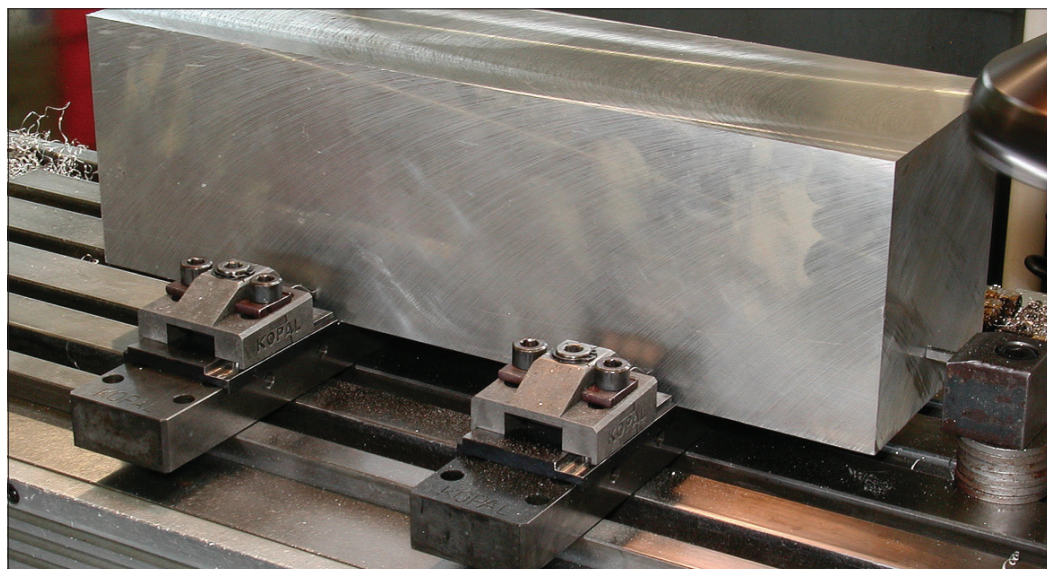
11040/41/42/43

22000N

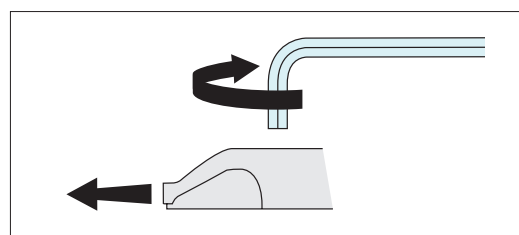
11070/71

12000N

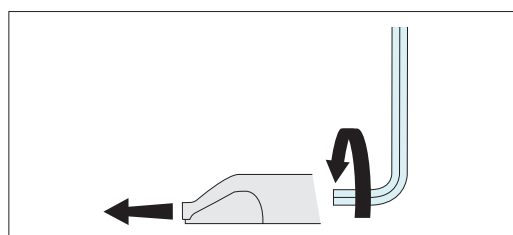
HEAVY-DUTY SIDE CLAMPING



## Options

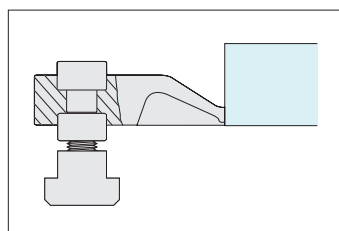


Quick 1/4 turn eccentric clamping – on models offering 4000 and 12000 Newtons clamping force.

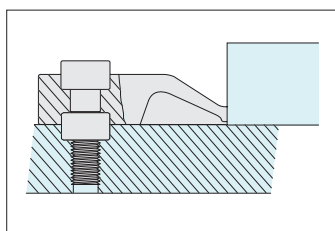


Rear screw clamping – on models offering 6500, 10000 and 22000 Newtons clamping force.

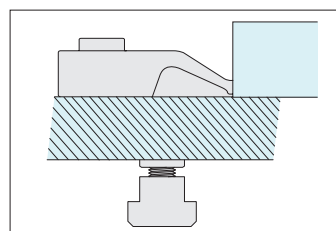
## Actuation



T-Slotted tables



Dedicated fixturing



Modular fixturing

## Mounting