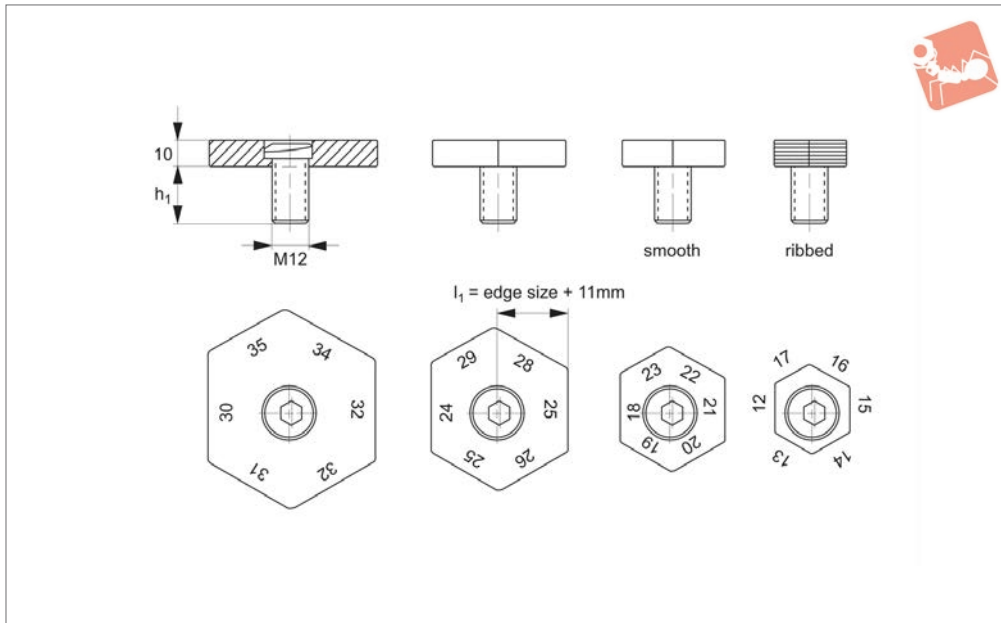




# Variable Hexagon Clamps

low height

# Multi-Clamping Systems



**12040**

MULTI-CLAMPING SYSTEMS

### Material

Body: steel, hardened and blackened.  
Screw: steel, eccentric, heat treated (10,9) and blackened.

### Technical Notes

Hexagon clamps actuated by means of an

eccentric screw (provided). Available with either smooth or ribbed faces.

### Tips

Max. clamping section is 25mm. Each of the clamp's faces increases the distance from the centre line by 1mm, thus work-

pieces of varying sizes can be held using just one clamp and is actuated by a simple rotation of the clamp face.

Reorder screw 12112.W0512.

Order No.	Finish	h <sub>1</sub>	l <sub>1</sub>	Clamp stroke	Clamping force kN max.	Weight g
12040.W0002	Clamp, smooth	22	12 - 17	2	18	100
12040.W0004	Clamp, smooth	22	18 - 23	2	18	132
12040.W0006	Clamp, smooth	22	24 - 29	2	18	204
12040.W0008	Clamp, smooth	22	30 - 35	2	18	299
12040.W0012	Clamp, ribbed	22	12 - 17	2	18	77
12040.W0014	Clamp, ribbed	22	18 - 23	2	18	132
12040.W0016	Clamp, ribbed	22	24 - 29	2	18	204
12040.W0018	Clamp, ribbed	22	30 - 35	2	18	299