

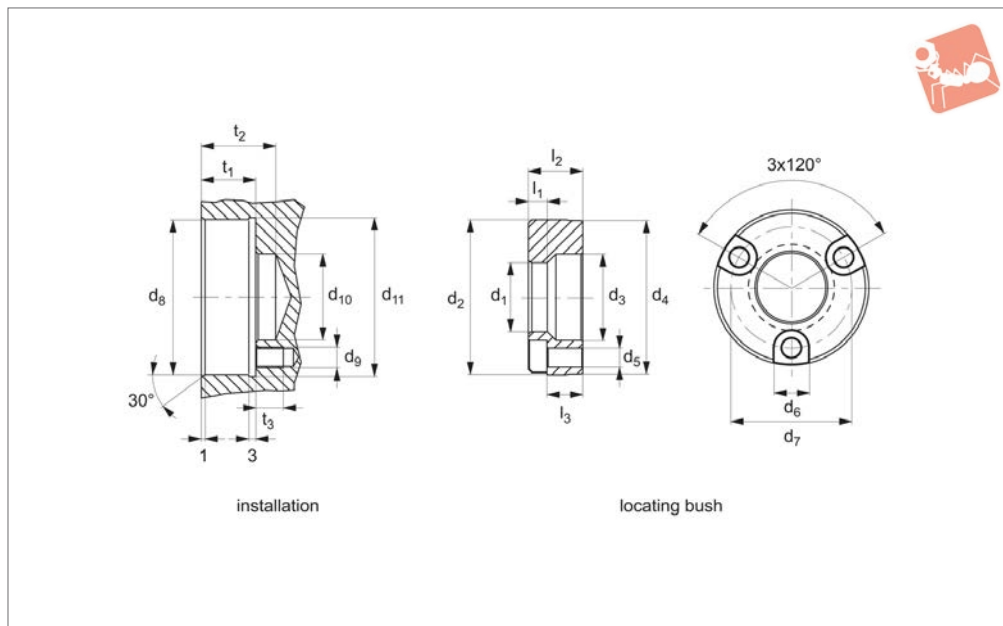


Locating Bushings

for positioning clamping pins 12090 - screw fit



Pull Back Inserts



12094

PULL BACK INSERTS

Material

Steel version: steel, heat treated, tempered and blackened.

Stainless steel version: precipitation-hardened stainless steel (17-4 PH, AISI

630, 1.4542).

Technical Notes

The screw fit locating bushings for positioning clamping pins are inserted in the

machine table or in the base plate and are screwed on.

Important Notes

Supplied with mounting screws.

Order No.	Material	l_1	l_2	l_3 \approx	d_1 tol. F6 +0.01	d_2	d_3	d_4	d_5	d_6	d_7	d_8 tol. H7	d_9	d_{10} +1	d_{11}	t_1 ± 0.02	t_2	t_3	Weight g
12094.W0782	Steel	5,3	11,6	7,0	16	37	20	36,5	4,5	8	29	37	M 4	20	38,5	11,9	22	12	70
12094.W0784	Steel	5,3	15,8	10,0	20	45	25	44,5	5,5	10	35	45	M 5	25	46,5	16,2	22	12	130
12094.W0786	Steel	5,3	19,9	13,5	25	55	31	54,5	6,6	11	42	55	M 6	31	56,5	20,3	28	14	245
12094.W0788	Steel	5,3	21,8	15,0	30	60	37	59,5	6,6	11	48	60	M 6	37	61,5	22,2	28	14	195
12094.W0882	Stainless Steel	5,3	11,6	7,0	16	37	20	36,5	4,5	8	29	37	M 4	20	38,5	11,9	22	12	70
12094.W0884	Stainless Steel	5,3	15,8	10,0	20	45	25	44,5	5,5	10	35	45	M 5	25	46,5	16,2	22	12	130
12094.W0886	Stainless Steel	5,3	19,9	13,5	25	55	31	54,5	6,6	11	42	55	M 6	31	56,5	20,3	28	14	245
12094.W0888	Stainless Steel	5,3	21,8	15,0	30	60	37	59,5	6,6	11	48	60	M 6	37	61,5	22,2	28	14	195

