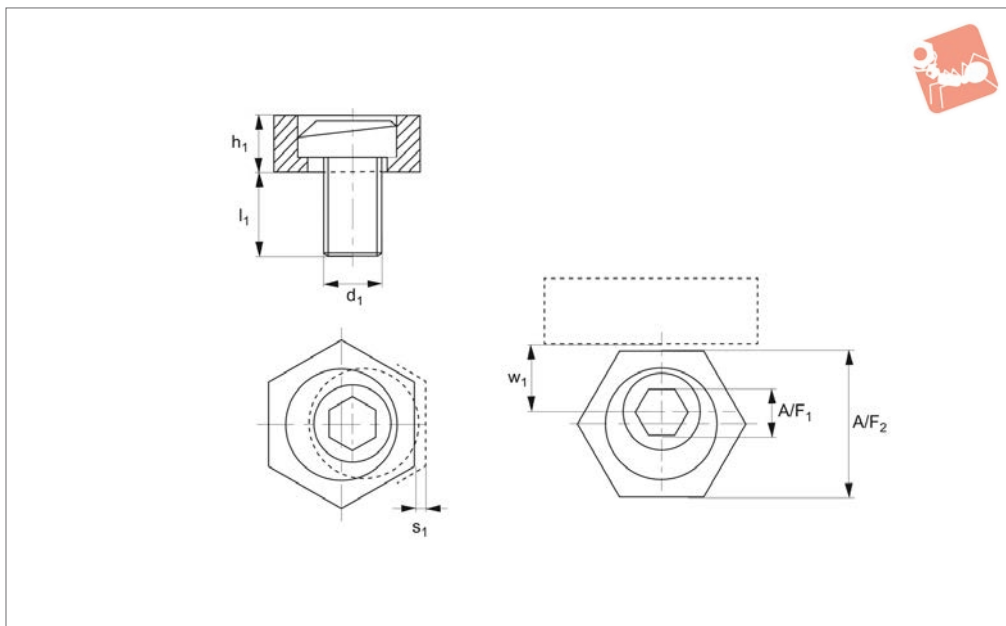




Eccentric Fixture Clamps

low profile - stainless steel

Low Profile Side Clamping



12113

LOW PROFILE SIDE CLAMPING

Material

Hexagonal clamp: stainless steel.
Eccentric clamp screw and washer: stainless steel.

Technical Notes

Clockwise rotation is recommended. Work-

piece stop is on the right hand side of the clamp. For non-stainless steel versions of 12112.

Tips

Compact size and fast, strong clamping allows maximum number of parts to be

clamped.

Important Notes

w_1 - is the location to drill and tap from the edge of workpiece.

Order No.	Type	d_1	h_1	l_1	Stroke s_1	w_1	A/F_1	A/F_2	Clamp force kN	Torque to Nm max.	Qty/pack	Weight g
12113.W0525	Stainless Screw	M 4 x 0,7	-	-	-	-	-	-	-	-	4	-
12113.W0205	Stainless Clamp	M 4x0,7	2.80	9.6	0.76	3.80	3	7.93	0.9	2.0	4	3.0
12113.W0206	Stainless Clamp	M 6x1	4.75	11.2	1.01	7.80	4	15.86	3.5	8.5	4	11.0
12113.W0208	Stainless Clamp	M 8x1,25	6.35	15.0	1.01	10.20	5	20.60	3.5	11.3	4	18.0
12113.W0526	Stainless Screw	M 6x1	-	-	-	-	-	-	-	-	4	-
12113.W0528	Stainless Screw	M 8x1,25	-	-	-	-	-	-	-	-	4	-