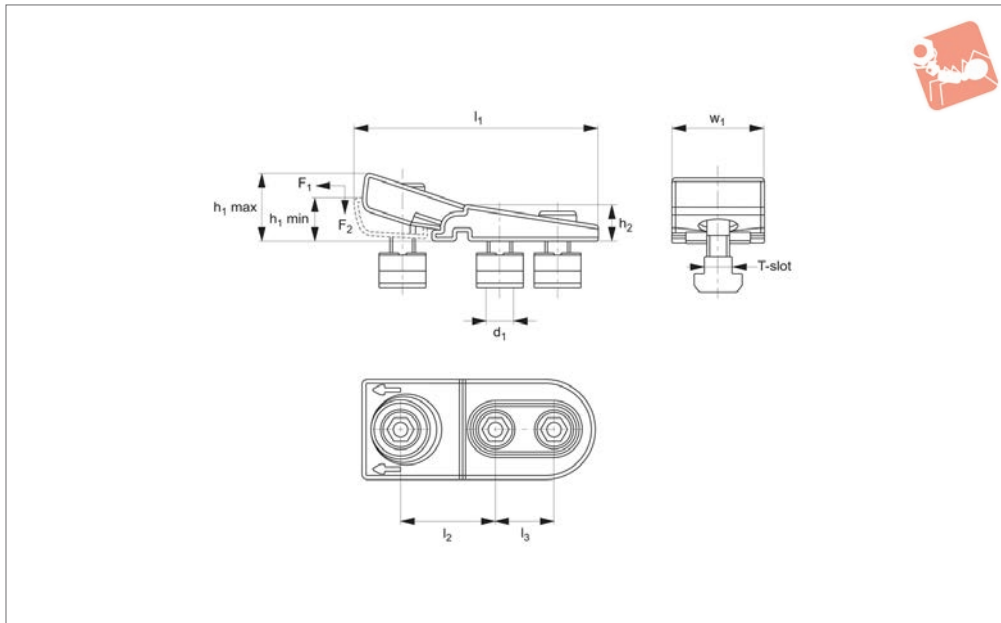




# Low Profile Flat Clamps for T-slots

## Heavy-Duty Side Clamping



**12205**

HEAVY-DUTY SIDE CLAMPING

### Material

Steel, tempered and burnished.

Suitable for horizontal and vertical applications.

### Technical Notes

Low height clampings of thin workpieces.

### Tips

For clamping of low profile workpieces.

Order No.	T-slot size	w <sub>1</sub>	d <sub>1</sub>	h <sub>1</sub> min.	h <sub>1</sub> max.	h <sub>2</sub>	l <sub>1</sub>	l <sub>2</sub>	l <sub>3</sub>	F <sub>1</sub> kN	F <sub>2</sub> kN	Weight g
<b>12205.W0014</b>	14	15	M12	16	25	16	110	45-48	26	15	7.5	579
<b>12205.W0016</b>	16	15	M12	16	25	16	110	45-48	26	15	7.5	600
<b>12205.W0018</b>	18	20	M16	19	30	19	130	50-54	33	20	10.0	1011
<b>12205.W0020</b>	20	20	M16	19	30	19	130	50-54	33	20	10.0	1055
<b>12205.W0022</b>	22	30	M20	22	36	22	152	58-63	41	30	15.0	1670
<b>12205.W0024</b>	24	30	M20	22	36	22	152	58-63	41	30	15.0	1705
<b>12205.W0028</b>	28	30	M20	22	36	22	152	58-63	41	30	15.0	1807