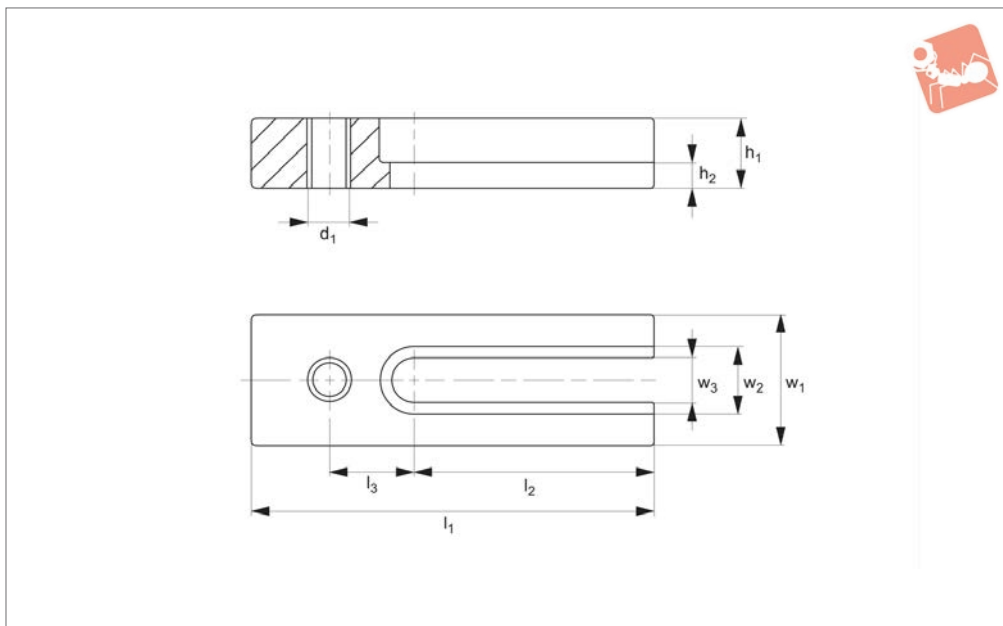




Holding Plates

for downhold clamps nos. 12400 & 12420

Low Profile Side Clamping



12410

LOW PROFILE SIDE CLAMPING

Material

Steel, heat treated, blackened.

Tips

Allows downhold clamps to be placed in any desired position, across T-slots etc.

Technical Notes

For use with clamps nos. 12400 and 12420.

Order No.	h_1 -0.4	h_2	l_1	l_2	l_3	d_1	w_1	w_2	w_3	Weight g
12410.W0730	15	6.5	100	63	20	M 8	30	15	9	246
12410.W0740	20	7.5	120	72	25	M12	40	20	13	515
12410.W0760	30	13.0	140	80	30	M16	60	26	17	1456
12410.W0770	40	18.0	200	110	50	M20	80	32	21	3900
12410.W0780	50	24.0	220	130	55	M24	90	38	25	5850

