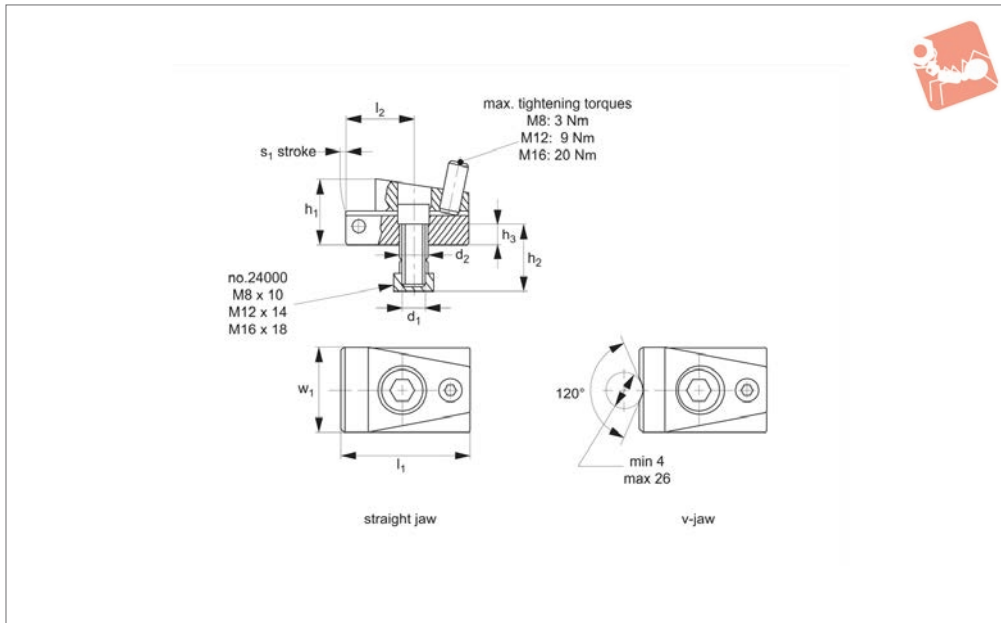




Downhold Clamps

small footprint

Low Profile Side Clamping



12420

LOW PROFILE SIDE CLAMPING

Material

Steel, ground, case-hardened and blackened.

Technical Notes

Actuate by self-aligning screw on top, rear of the clamp. Extremely high clamping

forces, as the clamp pivots forwards and downwards to securely hold the workpiece. **T-nuts no. 24000 allow the clamps to be used in a variety of T slot sizes.**

Tips

Do not over torque clamping screw as

this can result in the stripping of the thread. For recommended torques - please see table.

May be used with holding plate no. 12410.

Order No.	For T-slot	Type	h_1	h_2	h_3	l_1	l_2	d_1	d_2	Stroke s_1	w_1	Clamping force horizontal kN max.	Torque to Nm max.	Weight g
12420.W0501	10	Straight Jaw	24	20	8	52	28,0	M 8	8,4	3	32	7,0	3	276
12420.W0521	14	Straight Jaw	37	30	11	72	40,0	M12	12,5	4	48	15,0	9	831
12420.W0541	18	Straight Jaw	47	35	13	86	41,0	M16	16,5	7	68	21,5	20	1749
12420.W0502	10	V-Jaw	24	20	8	52	28,0	M 8	8,4	3	32	7,0	3	266
12420.W0522	14	V-Jaw	37	30	11	72	40,0	M12	12,5	4	48	15,0	9	833
12420.W0542	18	V-Jaw	47	35	13	86	41,0	M16	16,5	7	68	21,5	20	1730

