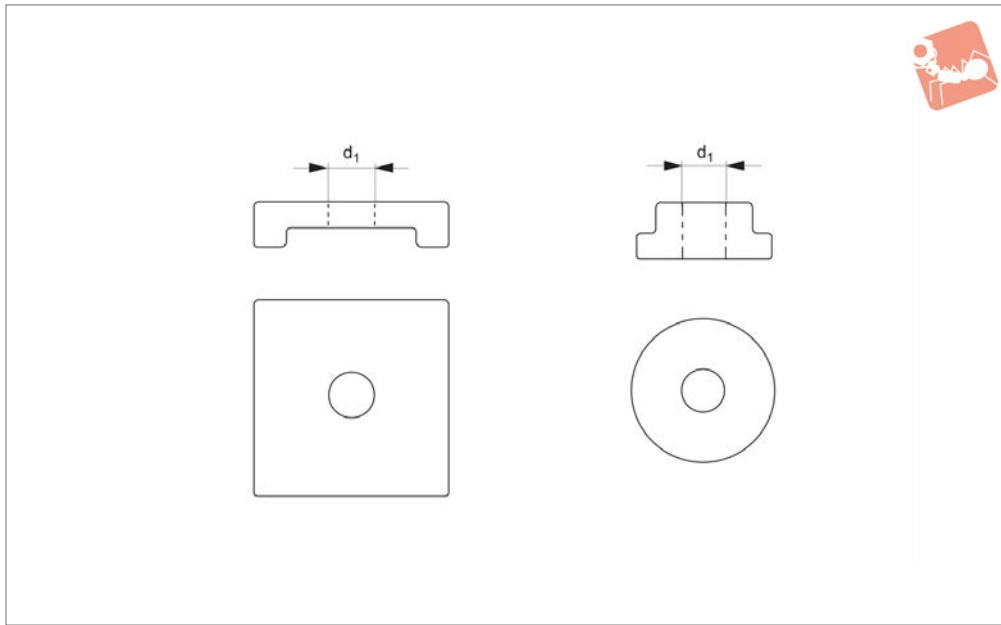




Single Taper Adapter Set

for 12430, 12440 and 12450

Low Profile Side Clamping



12432

LOW PROFILE SIDE CLAMPING

Material

Fixing plate and bush: tool steel, hardened.

Technical Notes

With the adapter set a single taper clamp

can be adapted to act as a double taper clamp, i.e. to pull down components as well as clamp sideways. Simply invert your existing single taper models, fit the adapter set and clamp as normal.

Important Notes

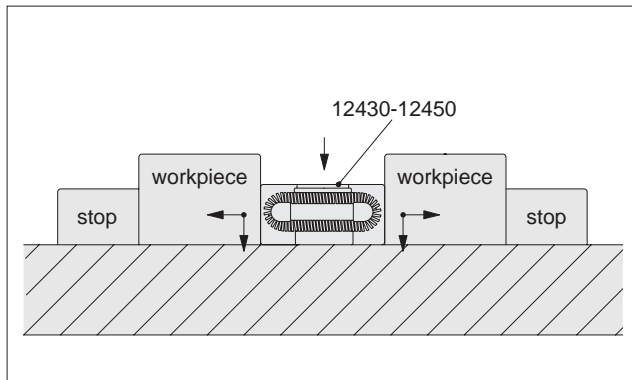
For use with „single taper“ clamps 12430, 12440 and 12450 only - not for use with „double taper“ clamps. Clamping screw not supplied.

Order No.	Description	To suit taper clamp of thread d_1
12432.W0008	Single Taper Adapter Set	M 8
12432.W0012	Single Taper Adapter Set	M12
12432.W0016	Single Taper Adapter Set	M16



Our low-profile taper clamps can be used on stand alone machines just as successfully as on large, flexible manufacturing systems. Working on the principle that, when tightened, they expand to simultaneously pull down and clamp the workpiece against stops, preventing any movement or play, they can produce clamping forces of up to 150 kN. With faces hardened to 48-52 HRC they are ideal for a range of clamping applications.

Operating Principle



When tightening the clamping screw, the clamp's tapers expand simultaneously, pushing components against the fixture stops as well as exerting a pull-down force, pulling components to the fixture base (double taper models only).

With excellent clamping forces of up to 150 kN, these clamps generate high enough forces for workpieces to be safely clamped.



Models Available



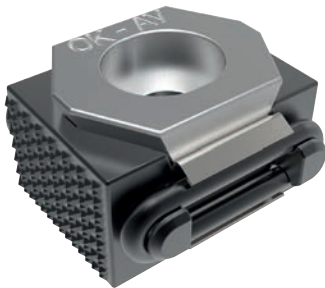
Single Taper

Providing horizontal clamping forces, holding workpieces solidly in place.



Single Taper Adapter Set

Single taper clamps can be adapted to perform as a double taper model. Simply invert your existing single taper models, fit our adapter set and clamp as normal.



Economy Model

When ultra precision and the highest clamping forces are not necessary, our economy models offer a cost-effective choice. Ground only on the bottom jaw of the clamp for a cost saving.



Stainless Steel

Designed with the demands of wire EDM clamping applications in mind.



Double Taper

Horizontal clamping and pull-down action, ensuring full contact of workpiece with fixture base.



Single Taper Clamps

small in size, yet big in clamping

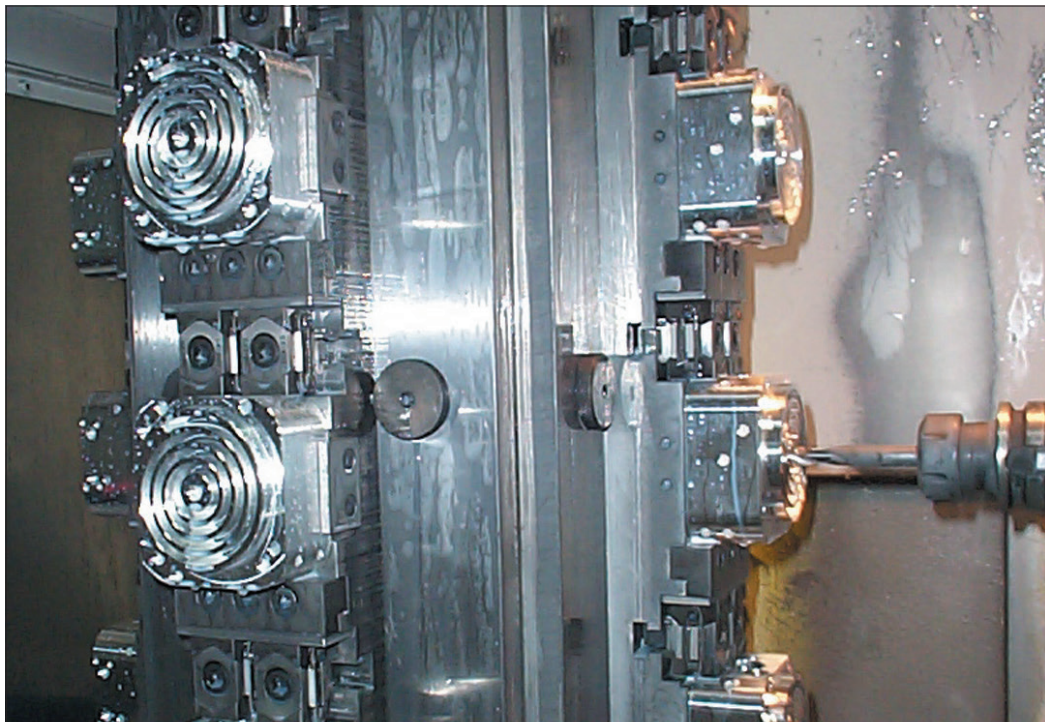


Clamping & Height Setting

- Compact with small clamping footprint for multi-component clamping.
 - Powerful clamping, up to 150 kN.
 - Low profile with no obstruction of tooling path.
 - Maximum clamping stability.
 - Pulls down and clamps.
-
- Quick set-up and clamping.
 - Maximise workpieces per fixture.
 - Enables three-dimensional machining of components in a single operation, improving accuracy and quality.

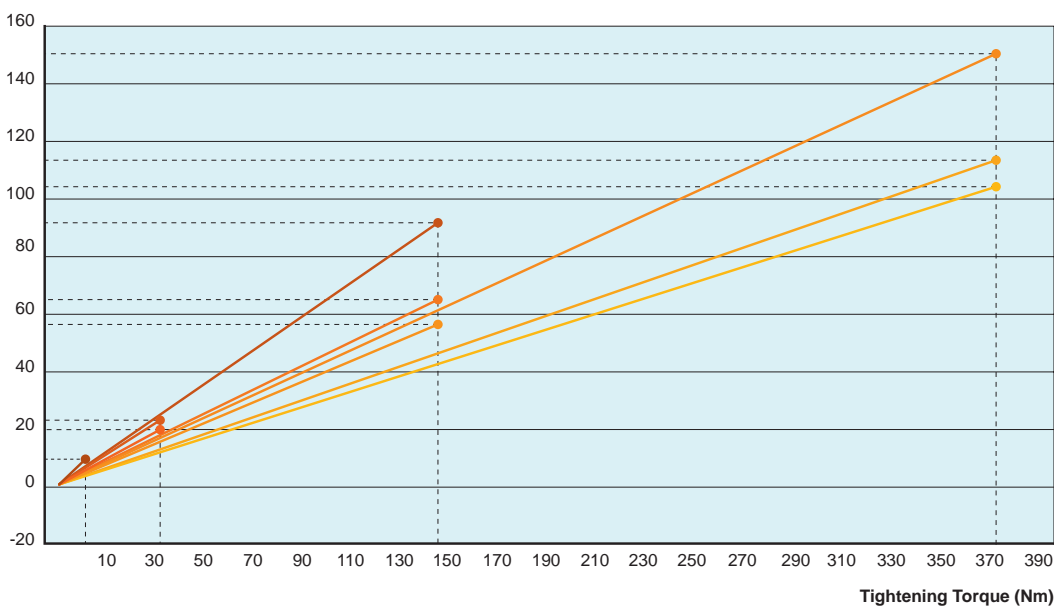
Features

Benefits



LOW PROFILE SIDE CLAMPING

Clamping Force (kN)



Horizontal Forces of Wixroyd Low Profile Clamps 12430 to 12450

Product no./graph key	Force up to (kN)
12440.W0005	10
12430.W0009	25
12430.W0508	20
12430.W0608	25
12440.W0008	25
12430.W0008	25
12440.W0009	25
12450.W0008	25
12430.W0808	25
12430.W0012	65
12430.W0512	55
12430.W0616	65
12430.W0011	65
12430.W0812	65
12430.W0112	90
12430.W0111	90
12430.W0016	110
12430.W0516	105
12430.W0015	110
12430.W0816	110
12430.W0116	150
12430.W0115	150

ov-W12.111-A-T-eccentric-pull-down-clamping-screw-rnh - Updated -24-10-2022