

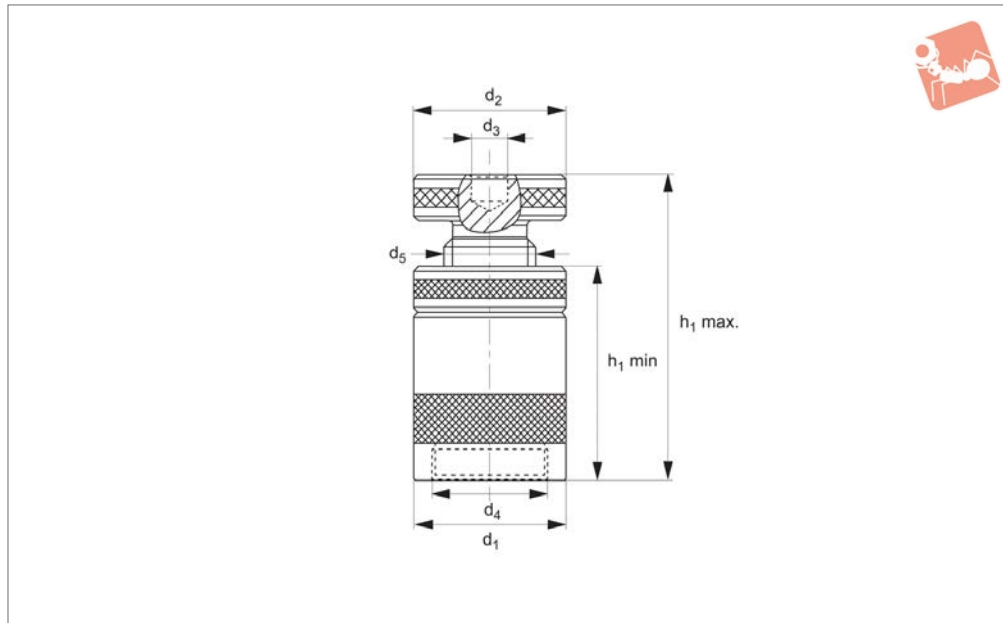


Screw Jacks

plain Ø12 centering hole



Screw Jacks



15000

SCREW JACKS

Material

Body: carbon steel, enamelled.
Spindle: steel, tempered.
Trapezoidal thread, self-locking with end stop.

Technical Notes

Light duty: for clamps with slot widths up to 14mm.

Medium duty: for clamps with slot widths approx. 14-22mm.

Heavy duty: for clamps with slot widths between 20-40mm.

Extra heavy duty: for supporting larger work-pieces.

Tips

Centering hole Ø12mm in top of screw

jacks (no hole on part no. 15000.W0050).

When using in conjunction with forked clamps no. 10100, we recommend the use of locating pad no. 15060.

See technical pages for the table of locating pad and support pad elements suitability.

| Order No. | Type | h_1 min. | h_2 max. | d_1 | d_2 | d_3 | d_4 | d_5 | Static load kN max. | Weight g |
|-------------|-------------|------------|------------|-------|-------|-------|-------|-------|---------------------|----------|
| 15000.W0050 | Light Duty | 38 | 50 | 31 | 31 | - | - | 20x4 | 15 | 190 |
| 15000.W0052 | Medium Duty | 42 | 52 | 50 | 50 | 12 | M38x2 | 30x4 | 60 | 550 |
| 15000.W0070 | Medium Duty | 50 | 70 | 50 | 50 | 12 | M38x2 | 30x4 | 60 | 620 |
| 15000.W0100 | Medium Duty | 70 | 100 | 50 | 50 | 12 | M38x2 | 30x4 | 60 | 900 |
| 15000.W0140 | Heavy Duty | 100 | 140 | 68 | 68 | 12 | - | 40x7 | 100 | 2760 |
| 15000.W0210 | Heavy Duty | 140 | 210 | 80 | 70 | 12 | - | 50x8 | 170 | 4600 |
| 15000.W0200 | Extra Heavy | 140 | 200 | 100 | 80 | 12 | - | 65x10 | 350 | 6900 |
| 15000.W0280 | Extra Heavy | 190 | 280 | 140 | 110 | 12 | - | 80x10 | 600 | 19000 |
| 15000.W0300 | Extra Heavy | 190 | 300 | 100 | 80 | 12 | - | 65x10 | 350 | 9000 |

