

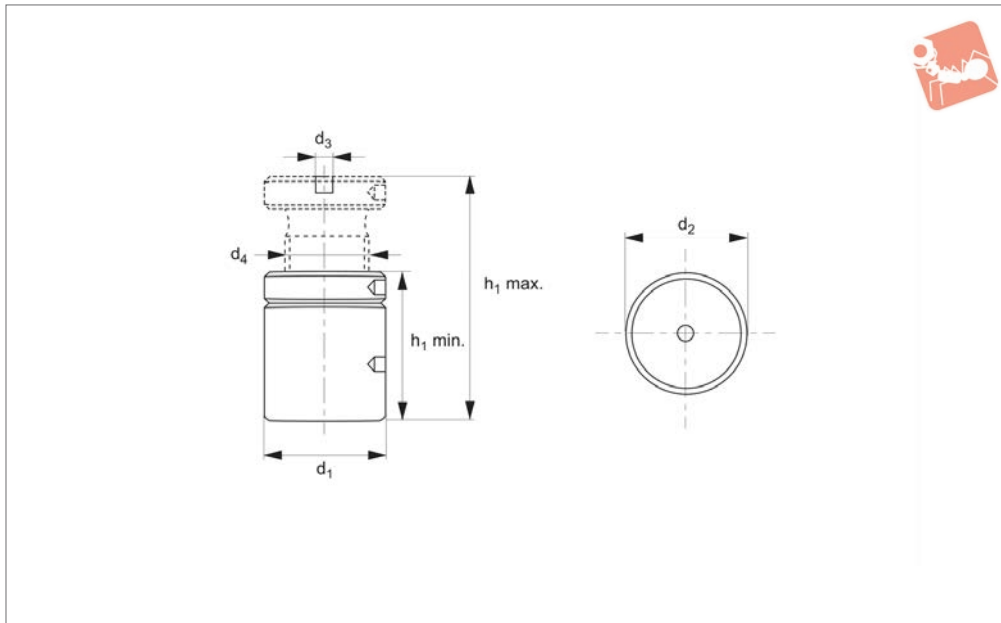


# Screw Jacks

aluminium base - plain  $\emptyset$  centering hole



# Screw Jacks



**15100**

SCREW JACKS

### Material

Body & base: aluminium 400 N/mm<sup>2</sup> tensile strength.  
Spindle: steel, tempered.  
Trapezoidal thread, self-locking with end stop.

### Technical Notes

See technical pages for the table of loca-

ting pad and support locating element suitability.  
Greater heights can be achieved by combining screw jacks with the centering support pad no. 15060.

### Tips

The swarf is absorbed into the aluminium base thereby protecting the machine table.

Particularly useful for delicate machine tables and high precision machines.

### Important Notes

**Do not adjust screw jacks under load.**

Order No.	Size	$h_1$ min.	$h_1$ max.	$d_1$	$d_2$	$d_3$	$d_4$	Static load kN max.	Weight g
<b>15100.W0052</b>	52	42	52	50	50	12	30x4	30	370
<b>15100.W0070</b>	70	50	70	50	50	12	30x4	30	430
<b>15100.W0100</b>	100	70	100	50	50	12	30x4	30	600