

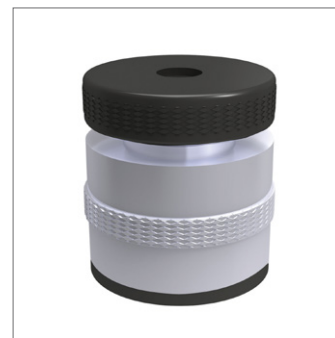
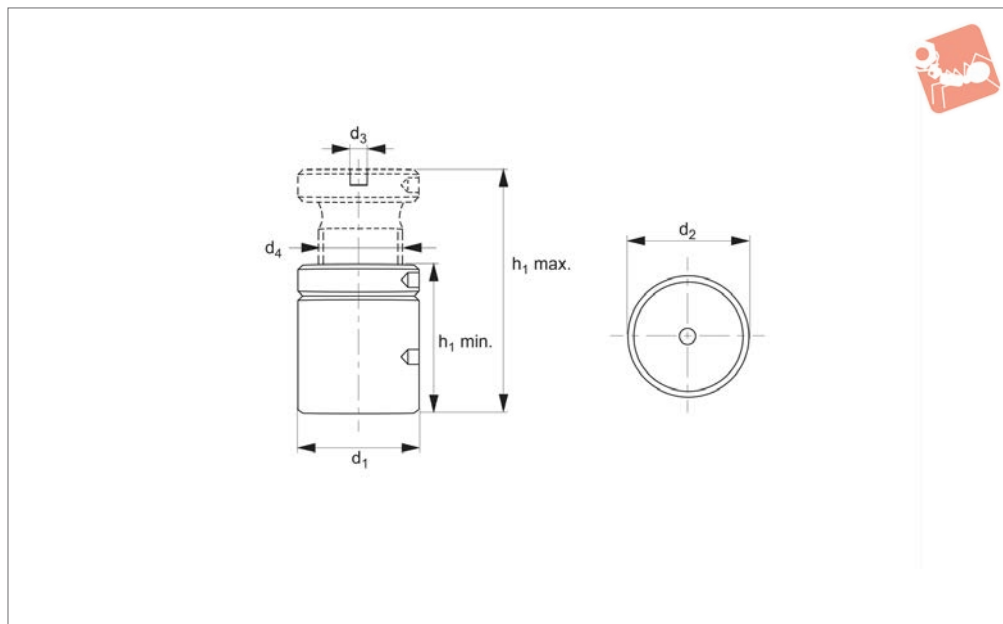


# Screw Jacks

aluminium - magnetic base



# Screw Jacks



**15120**

SCREW JACKS

### Material

Body: aluminium 400N/mm<sup>2</sup> tensile strength.

Base: magnetic.

Spindle: steel, tempered.

Trapezoidal thread, self locking with end stop.

### Technical Notes

See technical pages for the table of locating pad and support locating element suitability.

### Tips

Allows for positioning of screw jacks on

both horizontal and vertical surfaces.

Greater heights can be achieved by combining the screw jacks with the centering pad no. 15060<X\15060#22>.

Magnetic base ensures precise positioning of workpiece on vertical faces.

Order No.	Size	$h_1 \text{ min.}$	$h_1 \text{ max.}$	$d_1$	$d_2$	$d_3$	$d_4$	Static load kN max.	Weight g
15120.W0006	62	52	62	50	50	12	30x4	30	380
15120.W0008	80	60	80	50	50	12	30x4	30	550
15120.W0011	110	80	110	50	50	12	30x4	30	710