

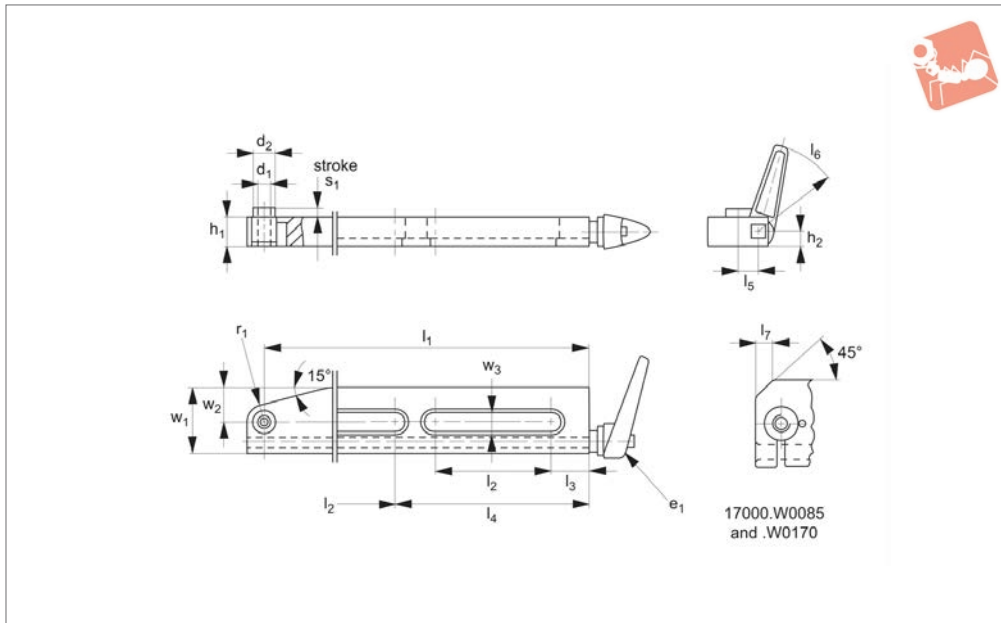


# Workpiece Supports

for support and to prevent workpiece chatter



# Supports & Stops



**17000**

SUPPORTS & STOPS

### Material

Support: steel, case-hardened and ground.  
Grip: die-cast zinc.

### Technical Notes

Used as support beneath workpieces to prevent chatter and vibration.

The supporting pin is applied with spring pressure to the workpiece and can be clamped in any desired position without the need to reach under the workpiece.

### Tips

Additional support to a three-point fixed

support. Threaded studs or levelling pads can be screwed into the female thread to set the required height.

Sizes .W0085 to W0170 have only one slot. 17000.W0450 is fitted with axial bearing clamping lever 74470.W0210.

Order No.	w <sub>1</sub>	h <sub>1</sub>	h <sub>2</sub>	d <sub>1</sub>	d <sub>2</sub>	Handle e <sub>1</sub>	l <sub>1</sub>	l <sub>2</sub>	Weight g
17000.W0085	8.5	19.5	11.5	M 8	13	M 6x18	75	35	342
17000.W0150	13.0	24.0	14.0	M10	20	M 8x22	150	90	1159
17000.W0170	17.0	34.0	21.5	M16	26	M12x30	170	100	2534
17000.W0300	13.0	24.0	14.0	M10	20	M 8x22	300	100	2153
17000.W0450	25.0	40.0	25.0	M20	32	M10x25	387	110	7300

Order No.	l <sub>3</sub>	l <sub>4</sub>	l <sub>5</sub>	l <sub>6</sub>	l <sub>7</sub>	r <sub>1</sub>	Load capacity kN max.	Stroke s <sub>1</sub>	w <sub>2</sub>	w <sub>3</sub>
17000.W0085	13	-	13	62	5	-	0.5	3	30	10
17000.W0150	20	-	17	74	-	15	2.5	6	50	25
17000.W0170	25	-	27	108	11	-	5.0	11	60	20
17000.W0300	30	160	17	74	-	15	2.5	6	50	25
17000.W0450	30	200	30	89	-	24	10.0	11	85	40

