

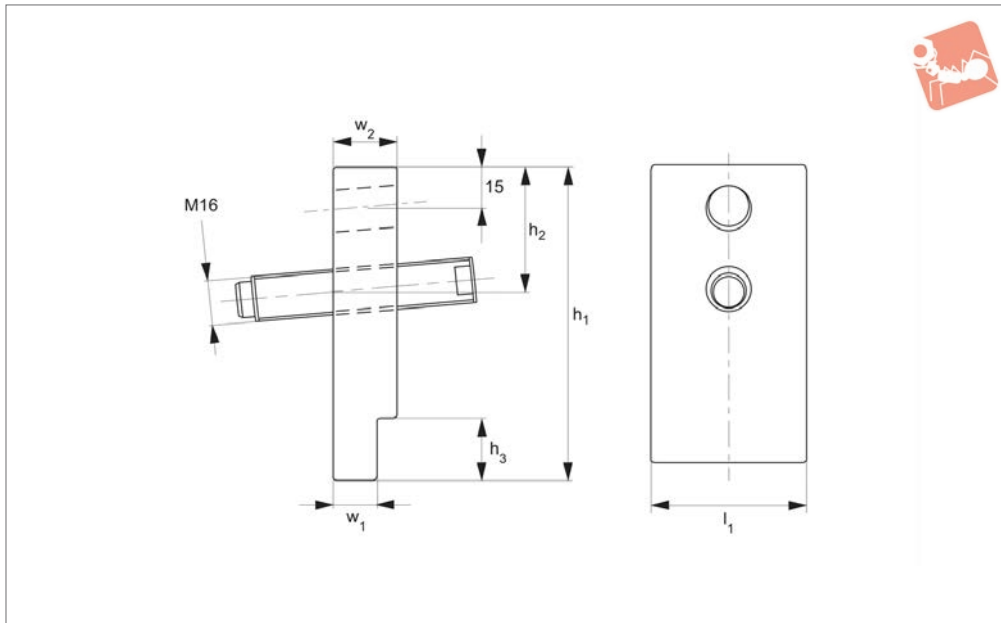


# Heavy Duty Side Stop

adjustable



## Supports & Stops



**17420**

SUPPORTS & STOPS

### Material

Steel, tempered, with two threaded holes M16, and adjustable set screw M16x80.

on slotted tables. The side stop slips into the T-slot and locks when the adjusting bolt comes into contact with the workpiece.

### Technical Notes

Used to position long or heavy workpieces

Order No.	$w_2$	$h_1$	$h_2$	$h_3$	$l_1$	Slot $w_1$	Weight g
17420.W0018	20	100	40	20	50	18	805
17420.W0020	25	125	40	30	80	20	1880
17420.W0022	25	125	40	30	80	22	1920
17420.W0024	32	150	65	40	100	24	3515
17420.W0028	32	150	65	40	100	28	3645
17420.W0036	40	160	65	50	120	36	4870