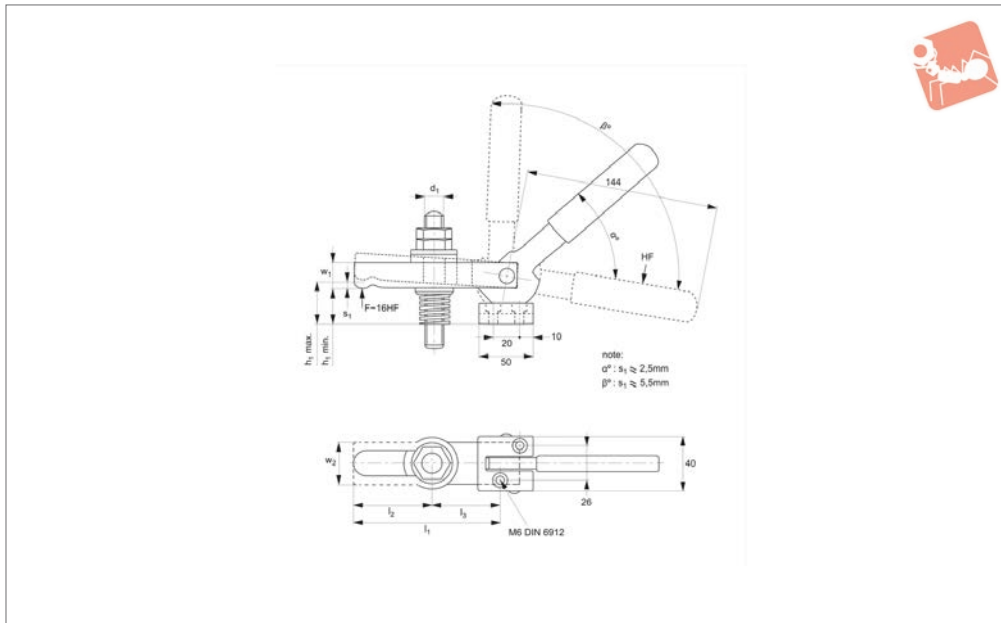




Cam Clamps with clamp and bolt

Standard Manual Clam-



18000

STANDARD MANUAL CLAMPING

Material

Steel, heat-treated, burnished.

Actuation by hand requires force (HF) of 150N approximately.

tely 16x hand force (HF) applied.

Tips

Especially useful on component fixtures.

Important Notes

Clamping force (F) exerted is approxima-

Order No.	w ₁	w ₂	l ₁	d ₁	h ₁ min.	h ₁ max.	l ₂	l ₃	Weight g
18000.W0001	30	20	100	M12	26	35	21-43	37	1000
18000.W0002	40	20	125	M16	26	35	34-66	45	1400