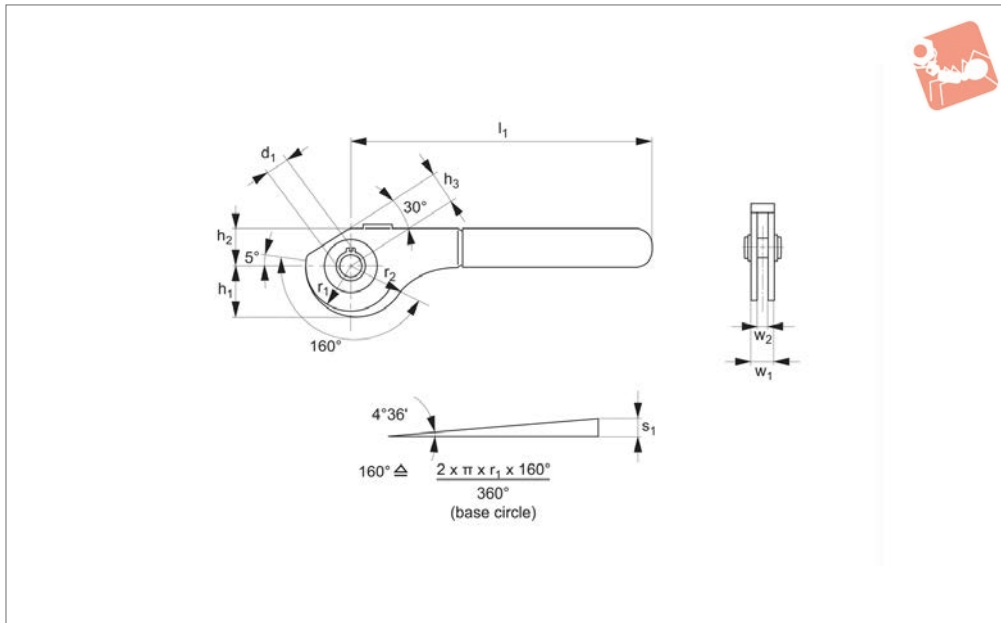




Cam Levers - Double Surface with fulcrum pin

Standard
Manual Clam-



18620

STANDARD MANUAL CLAMPING

Material

Eccentric: steel (ST52-3, 1.0570), zinc phosphated or stainless steel, (AISI 304, 1.4301).

Circlip: stainless steel (AISI 301, 1.4310).
Fulcrum pin: stainless steel (AISI 420, 1.4021), heat-treated.
Grip: red PVC, max. temperature 60°C.

Technical Notes

Supplied with fulcrum pin no. 18640.

Order No.	w_1	w_2	l_1	d_1 tol. f8	h_1	h_2	h_3	r_1	r_2	Eccentric stroke s_1	Total stroke $r_2 - h_3$	Type	Weight g
18620.W0408	13	9	114	8	19.54	14	12	17.2	21.07	3.87	9.07	Steel	93
18620.W0410	17	12	138	10	24.54	17	15	21.6	26.45	4.85	11.45	Steel	178
18620.W0412	20	14	157	12	31.81	21	18	28.0	34.29	6.29	16.29	Steel	290
18620.W0508	13	9	114	8	19.54	14	12	17.2	21.07	3.87	9.07	Stainless Steel	94
18620.W0510	17	12	138	10	24.54	17	15	21.6	26.45	4.85	11.45	Stainless Steel	175
18620.W0512	20	14	157	12	31.81	21	18	28.0	34.29	6.29	16.29	Stainless Steel	288

