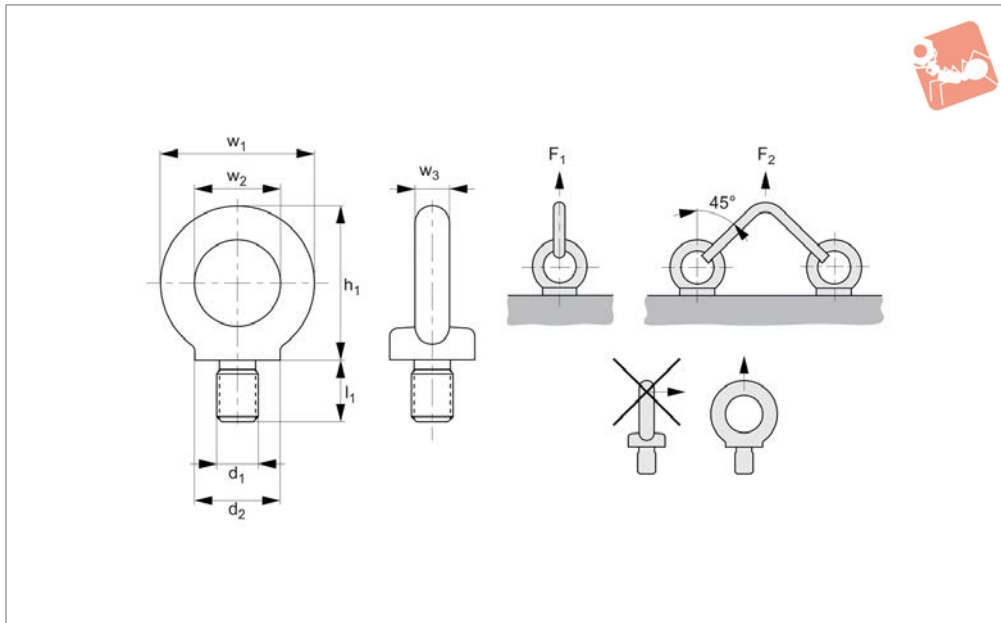




Steel Male Lifting Eye Bolts

inch sizes

Lifting Eye Bolts & Nuts



18866

LIFTING EYE BOLTS & NUTS

Material

Forged steel (C15E) annealed and zinc-plated (-ZP). Contact face machined. CE marked.

Hot dipped galvanised versions (for more demanding applications and limited outside use) also available on request, suffix changes to -GV.

Technical Notes

To DIN 580.

When using lifting eye bolts it is critical to ensure that the face is in firm contact with

the mating surface.

These lifting bolts are generally installed and remain on a piece of equipment for the purpose of transporting them. They are not for repeated lifting use - if this is required our swivelling lifting bolt range should be used.

Tips

Maximum load values are only applicable when the thread and the material, it is being used in is as least as strong as the

that of the bolt.

F_1 and F_2 values given are for steel and cast iron components.

Important Notes

Not to be used at lift angles of greater than 45° or with swivelling loads.

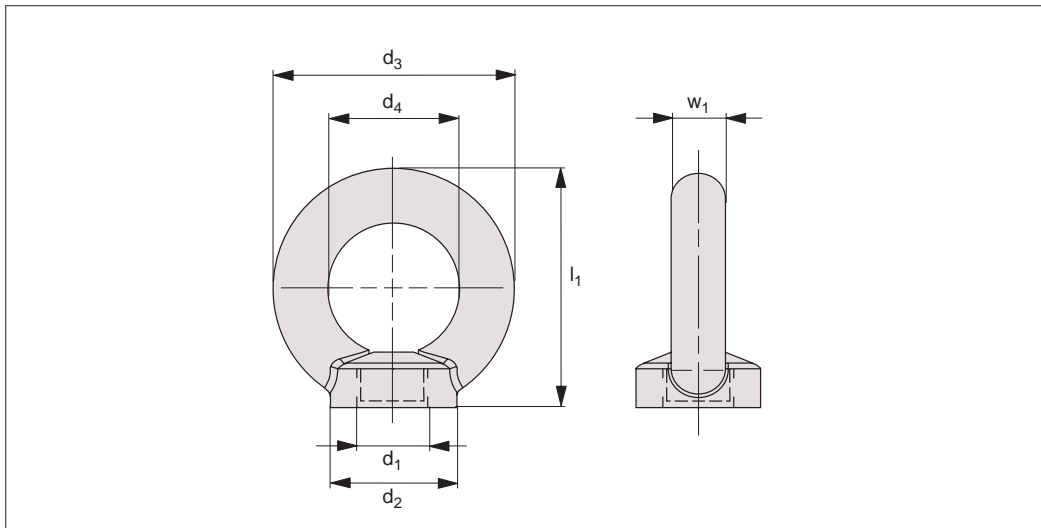
Please refer to the safety documentation before using this part.

Supplied with certificate and operating instructions.

Order No.	d ₁	Thread type	d ₂	w ₁	l ₁	h ₁	w ₂	w ₃	F ₁ kg max.	F ₂ kg max.	Weight kg
18866.W0025	1/4"-20	UNC	20	36	13.0	36	20	8	70	50	0.06
18866.W0038	3/8"-16	UNC	25	45	17.0	45	25	10	230	170	0.11
18866.W0050	1/2"-12	UNC	30	54	20.5	53	30	12	340	240	0.18
18866.W0063	5/8"-11	UNC	35	63	27.0	62	35	14	700	500	0.28
18866.W0075	3/4"-10	UNC	40	72	30.0	71	40	16	1200	830	0.45
18866.W0088	7/8"-9	UNC	50	90	36.0	90	50	20	1500	1050	0.74
18866.W0100	1"-8	UNC	50	90	36.0	90	50	20	1800	1270	0.74
18866.W0112	1-1/8"-7	UNC	65	108	45.0	109	60	24	2500	1650	1.66
18866.W0125	1-1/4"-7	UNC	75	126	54.0	128	70	28	4300	3200	2.65
18866.W0150	1-1/2"-6	UNC	85	144	63.0	147	80	32	6100	4300	4.03
18866.W0200	2"	UNC	100	166	68.0	168	90	38	9900	7300	6.38
18866.W0250	2-1/2"	UNC	120	206	90.0	208	110	48	16000	11000	12.40



Important Note: DIN 580 lifting eye bolts are mainly intended for permanent mounting to components such as motors, switchgear cabinets and gears, and for transporting these items of equipment. Please take care to take particular note of the following advice.



- 1) To be used by authorised, qualified and instructed personnel. Lifting eye bolts must be marked permanently raised with manufacturer's mark, material ID (e.g. C15E, A2 or A4), load-bearing capacity and axial direction (WLL in kg, see also Table/ F in N), and with CE symbol.
- 2) Check the lifting points for proper bolt seat, corrosion, wear and tear, deformation, etc. at regular intervals and before every use.
- 3) Select the lifting point such that the introduced forces are absorbed by the base material without any deformation. Screw-in depth for steel with a tensile strength of $R_m > 340 \text{ N/mm}^2$, e.g. S235JR (1.0037); or GG25 (0.6025 - without cavities or shrinkage): $1.5 \times \text{thread size } d_1 (=L)$. For screw-in material with lower strength, use lifting points with greater screw-in length. Minimum screw-in depths recommended: $2 \times \text{thread size } d_1$ in aluminium alloys, $2.5 \times \text{thread size } d_1$ in light metal with low strength. For light materials, non-ferrous metals and grey cast iron, select the thread such that the load-bearing capacity of the thread corresponds with the requirements involving the base material. For through-holes, a nut ($0.8 \times d$) should be fully and firmly bolted from the opposite side. If the thread length of the screw is sufficient, the use of an additional washer is recommended.
- 4) Select the position of the fixing points to avoid swivel or load shifts.
 - a.) Arrange the lifting point for a single strand sling perpendicular above the load centre.
 - b.) Arrange the lifting points for a twin strand sling to ensure both sides are above the load centre. Caution: Avoid turning or rotating movements during transport!
 - c.) Position the eye bolt such that no shear tension acts on the eye bolt (illustration below, incorrect use). The introduced force must act in the direction of the eye bolt plane (illustration right, correct use).

