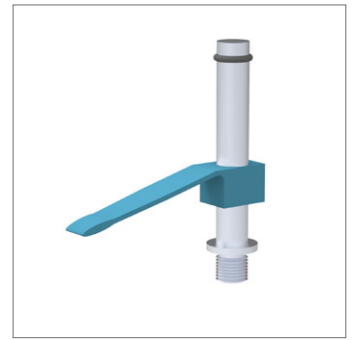
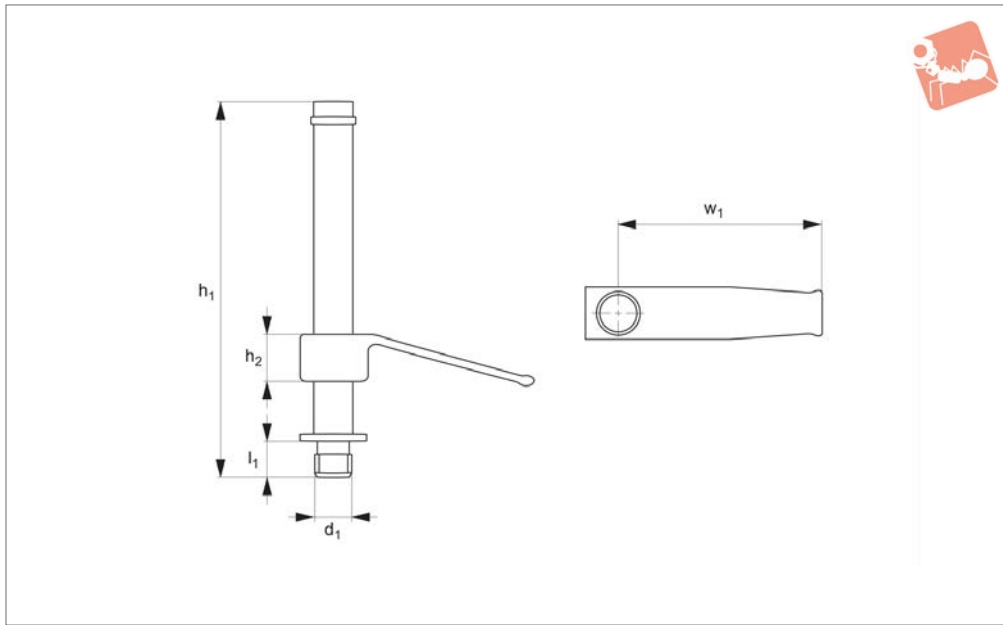




# CMM Soft Touch Clamps

M 8 threads

## Gauging & Inspection



**19320**

GAUGING & INSPECTION

### Material

Aluminium.

### Technical Notes

For fixturing on CMMs only, not recom-

mended for machining.

### Tips

Optional rubber coated tip helps prevent marring of parts during inspection.

### Important Notes

Ideal for light pressure clamping, actuated by finger pressure.

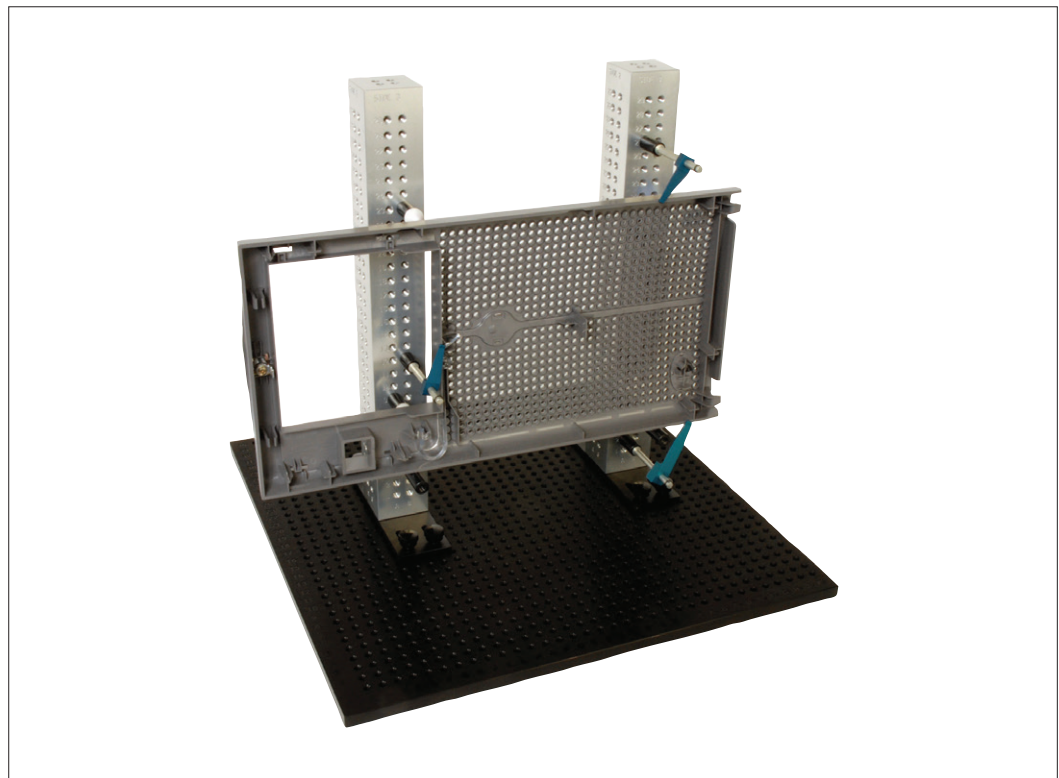
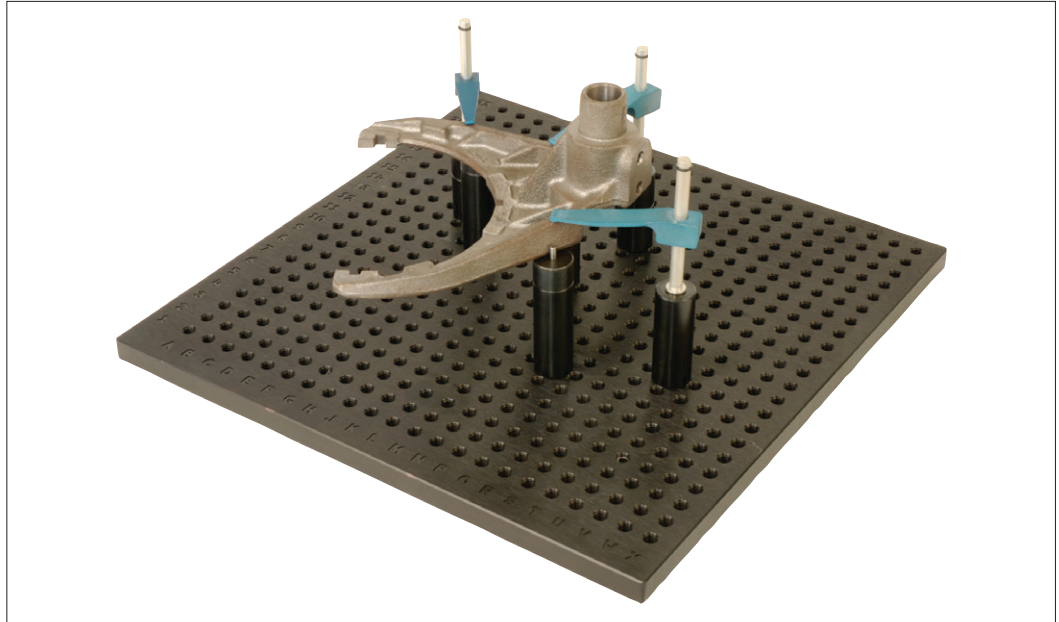
Order No.	Type	d <sub>1</sub>	h <sub>1</sub>	h <sub>2</sub>	l <sub>1</sub>	w <sub>1</sub>	Weight g
19320.W0008	Standard	M 8	75	8	6.37	39.0	68
19320.W0012	Standard	M 8	75	12	6.37	58.7	92
19320.W0108	Rubber coated tip	M 8	75	8	6.37	39.0	68
19320.W0112	Rubber coated tip	M 8	75	12	6.37	58.7	92



Wixroyd's CMM fixturing system is designed for easy assembly and high repeatability, eliminating the need to build dedicated fixtures. The system offers a highly accurate and flexible solution of holding parts while probing on CMMs.

### Flexible

A variety of component parts as well as complete kits are available; to enable setup of fixtures in minutes.



- Aluminium base plates – hole based system with alpha-numeric labelling for easy set-up and recording of fixture positions.
- Fixture towers – ideal for fixturing of large vertical components.
- Soft-touch clamps – non-marking clamps providing the ideal force for holding parts during CMM probing.
- Locating components – rest pads, vee pads for cylindrical parts, pin rests etc.