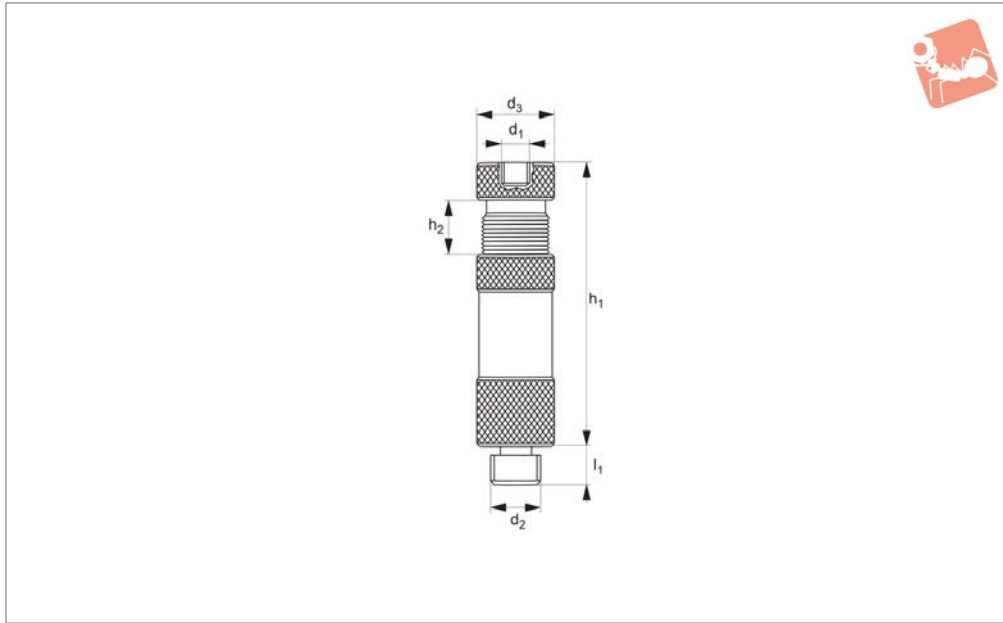




CMM Fixturing Screws Jacks

M 8 threads

Gauging & Inspection



19352

GAUGING & INSPECTION

Material
Aluminium.

Important Notes
Allows for fine height adjustment during CMM probing.

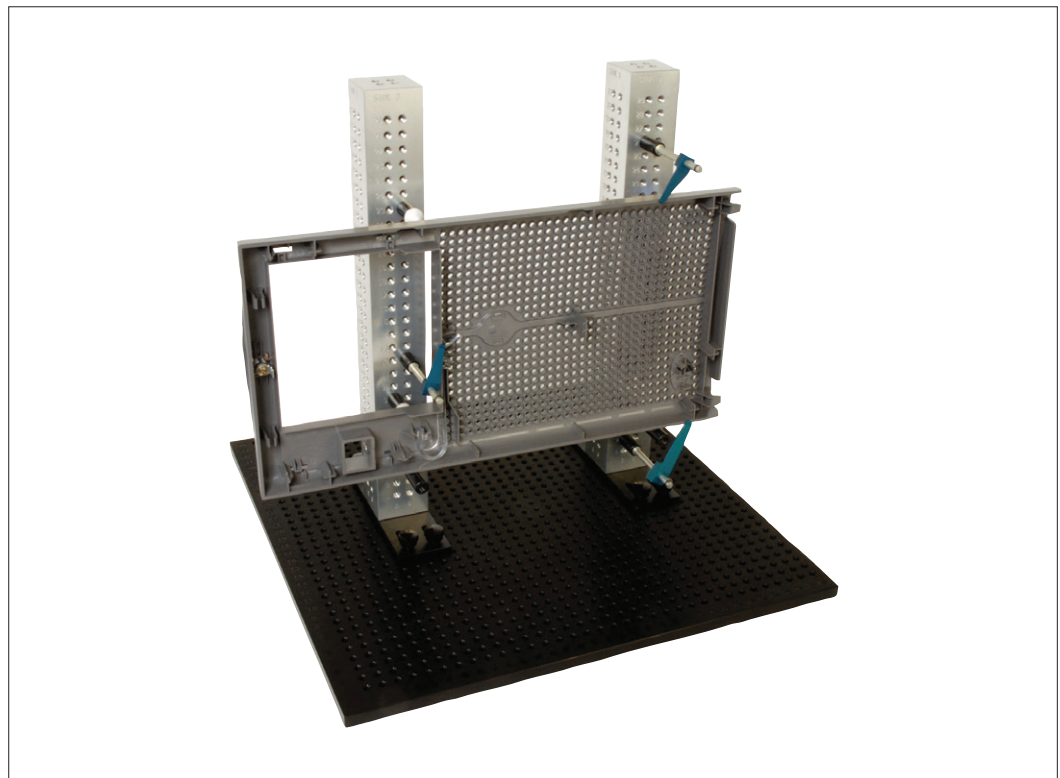
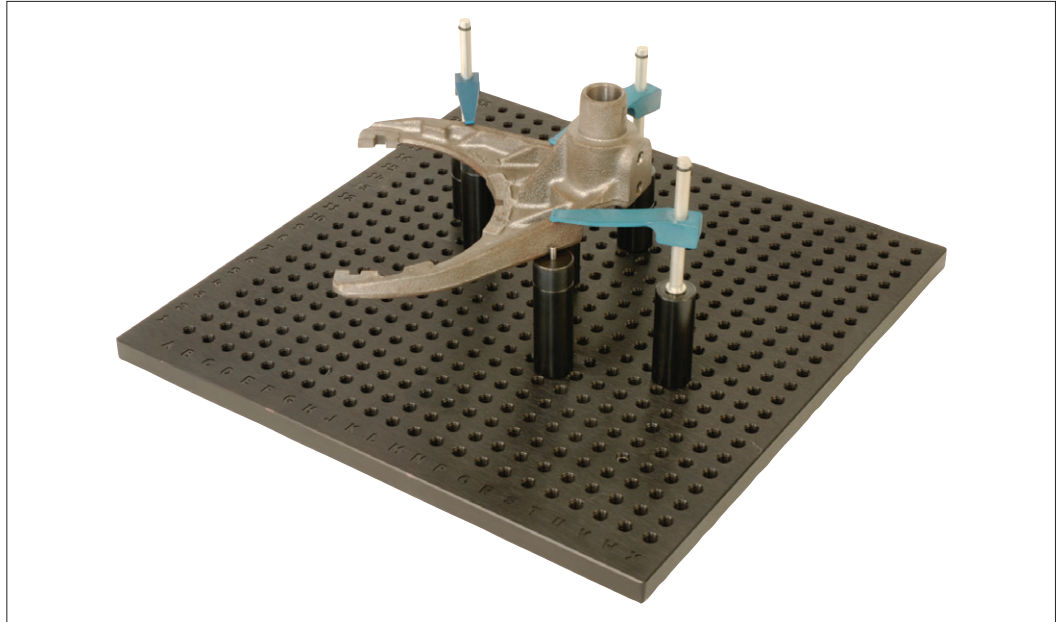
| Order No. | d ₁ | d ₂ | d ₃ | h ₁ max. | h ₂ stroke | l ₁ | Weight g |
|-------------|----------------|----------------|----------------|------------------------|-----------------------|----------------|-------------|
| 19352.W1945 | M 8 | M 8 | 19 | 44.5 | 8 | 6.4 | 88 |



Wixroyd's CMM fixturing system is designed for easy assembly and high repeatability, eliminating the need to build dedicated fixtures. The system offers a highly accurate and flexible solution of holding parts while probing on CMMs.

Flexible

A variety of component parts as well as complete kits are available; to enable setup of fixtures in minutes.



- Aluminium base plates – hole based system with alpha-numeric labelling for easy set-up and recording of fixture positions.
- Fixture towers – ideal for fixturing of large vertical components.
- Soft-touch clamps – non-marking clamps providing the ideal force for holding parts during CMM probing.
- Locating components – rest pads, vee pads for cylindrical parts, pin rests etc.