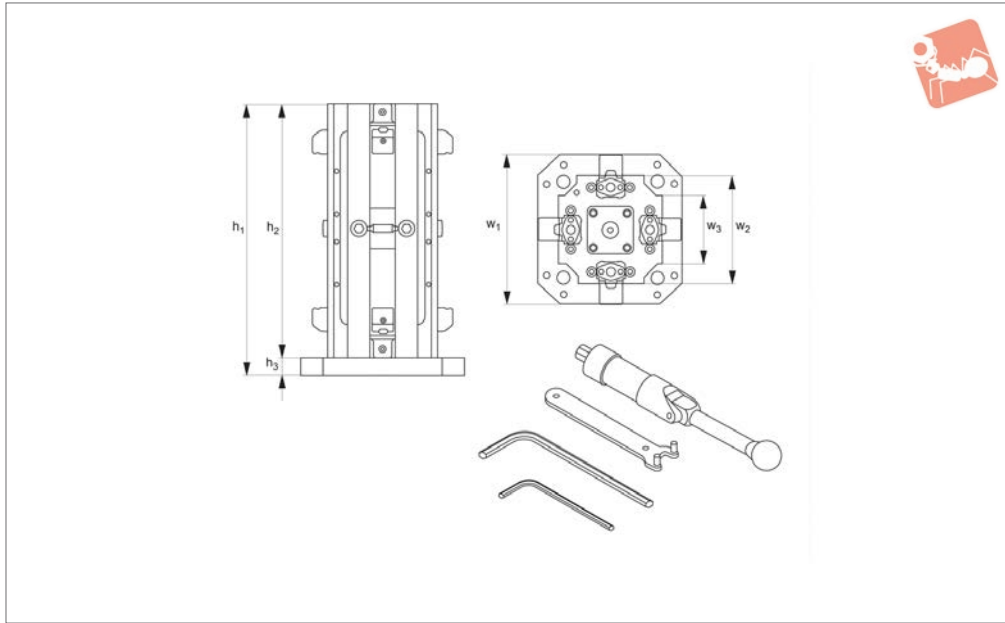




# 8 Station Vice - ReLock 8 converts a double to single station vice

## Vice Clamping



**19762**

VICE CLAMPING

### Material

Body: 80000 PSI ductile cast iron.  
Sideways flame hardened to 40 HRC max.

### Technical Notes

Vice jaws not included, order separately.  
See part no. 19790.  
Jaw capacity dependent upon selection of either machinable or hard jaws. See technical pages.

Replacement parts available.

### Tips

Supplied with actuation handle, hex key and wrench.  
Base plate designed to adapt to wide range of machine tables.  
8-station vice columns can be located on a

pallet using edge location with shims or spacers (not supplied).

### Important Notes

Not compatible with 19768 compact 8-vice column.  
**All dimensions are in inches unless stated \*.**

Order No.	Vice size	Clamp pressure lb max.	Base type	$h_1$	$h_2$	$h_3$	$w_1$	$w_2$ $\pm 0.001$	$w_3$	Weight lb
19762.W0040	4"	6000	Inch	17.90	16.75	1.15	10.75	7	4	150
19762.W0041	4"	6000	Metric	17.90	16.75	1.15	400*	7	4	150
19762.W0060	6"	12000	Inch	22.65	21.25	1.40	14.00	9	6	280
19762.W0061	6"	12000	Metric	22.65	21.25	1.40	400*	9	6	280
19762.W0080	8"	16000	Inch	31.10	29.50	1.60	18.00	12	8	750