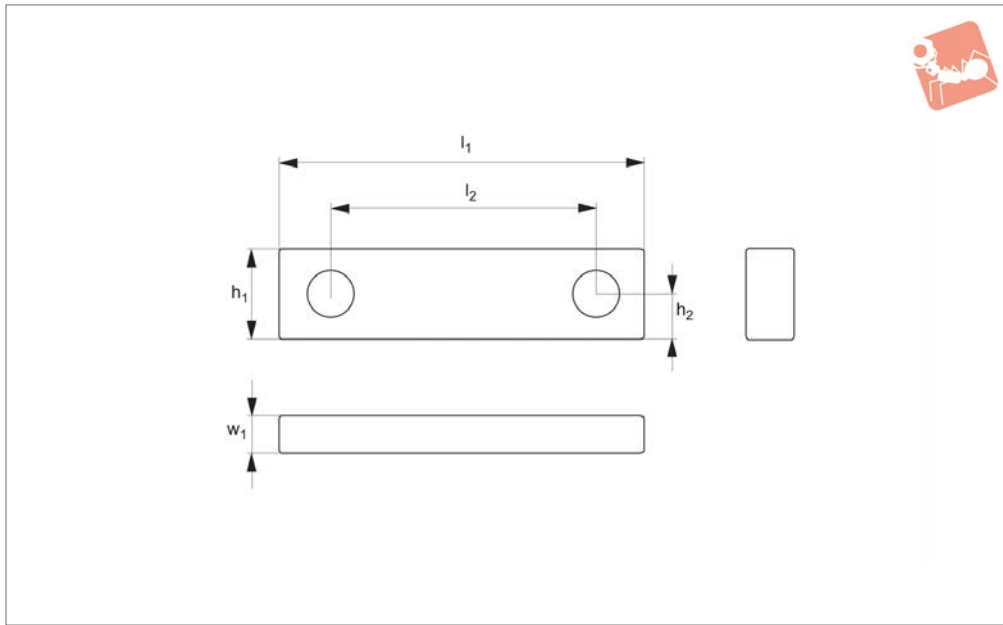




Soft Vice Jaws - Universal bolt-on

Vice Clamping



19890

VICE CLAMPING

Material

Aluminium.

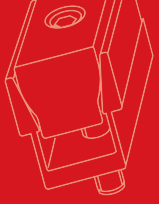
Important Notes

All dimensions are in inches.

Technical Notes

For use with most industry standard vices.

| Order No. | For vice size | l_1 | l_2 | h_1 | h_2 | w_1 |
|-------------|---------------|-------|-------|-------|-------|-------|
| 19890.W0040 | 4" | 5 | 2.500 | 1.5 | 0.687 | 1.00 |
| 19890.W0060 | 6" | 7 | 3.875 | 2.0 | 0.937 | 1.25 |
| 19890.W0080 | 8" | 9 | 4.750 | 2.5 | 1.128 | 2.00 |



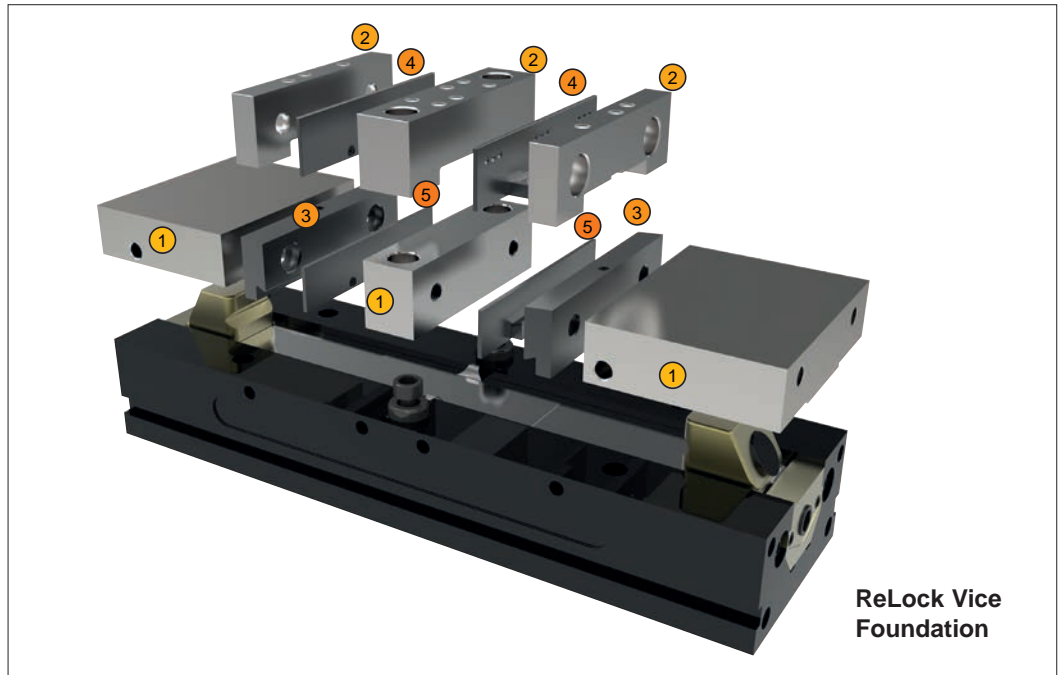
Foundation

The ReLock vice is the foundation for a fully flexible vice system, with a multitude of interchangeable jaws, parallels or mill angles to suit your application.

Base vice - ReLock 2 or ReLock 8.

- SnapLock® Carrier Jaws - accepts both AccuSnap® and QuickChange™ Jaw systems.
- AccuSnap or QuickChange Parallels and Mill Angles - select the approach best suited to your application.

Flexibility



1 SnapLock Carrier Jaws

SnapLock carrier jaws allow mounting of AccuSnap and QuickChange master jaws by using an industry standard bolt size and pattern. Carrier jaws snap on and off the SnapLock knuckles in seconds.

2 3 AccuSnap and QuickChange Master Jaws

AccuSnap QuickChange master jaws easily mount to the SnapLock carrier jaws by using an industry bolt size and pattern. AccuSnap master jaws patented locking receptacle accepts all AccuSnap accessories.

4 5 AccuSnap and QuickChange Parallels

AccuSnap and QuickChange parallels are designed for a range of set up variations when you need to position a workpiece between hardened jaws. AccuSnap parallels snap in and out of the AccuSnap master jaws in seconds. QuickChange parallels slide into position via a dovetail slot and gib.

Also available:

Machinable Fixture Jaws

AccuSnap and QuickChange machinable fixture jaws can be customised quickly to fixture a wide range of workpieces. The jaws snap or slide in and out of the master jaws in seconds. Available in either aluminium or hardened steel.

SnapLock Reversible Machinable Fixture Jaws

SnapLock reversible machinable fixture jaws are the most versatile method of fixturing on the ReLock System. Customising options are endless. Jaws can be machined on two faces for additional set up. Manufactured from high quality aluminium.

Fixture Plate

Ideal for a wide variety of fixturing applications, such as holding many small parts or parts with difficult clamping or locating requirements. Fixture plates can be attached or removed in seconds and are offered in two widths. Manufactured from high quality aluminium.

Modular Workstops

AccuSnap modular workstops quickly mount to parallels in many different positions. As many as three stops can be mounted to a single parallel to accommodate multi-piece set-ups.

Universal Workstop

The universal workstop easily mounts to the side of the ReLock in numerous positions. Optional extension is available for larger workpieces.

Workstop Presetting Gauge

The AccuSnap workstop presetting gauge, in combination with a standard micrometer, allows you to precisely preset your modular workstop positions in relation to the X, Y, and Z machine datums.

Single Station Conversion Plate

The single station conversion plate quickly converts the ReLock from double station to single station vice for larger workpieces.