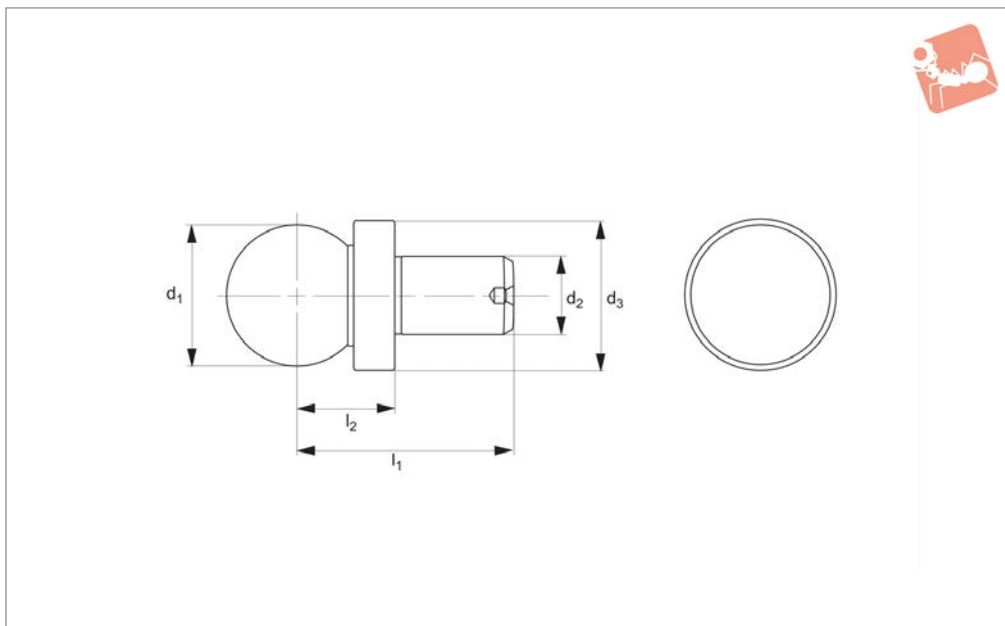




Precision Balls - Imperial

slip-fit - shoulder type

Gauging & Inspection



20504

GAUGING & INSPECTION

Material

Hardened and ground steel (440 stainless).

Technical Notes

Concentricity of ball to shank: ,0002 T.I.R.

Important Notes

Used as reference points for inspection applications in conjunction with CMMs to accurately measure the work piece.

All dimensions in inches.

Order No.	d_1 ± 0.0005	d_2 $+0.0000 \mid -0.0002$	d_3	l_1	l_2 ± 0.0002	Weight oz
20504.W0025I	0.250	0.150	1/4"	9/16"	0.200	0.16
20504.W0037I	0.375	0.187	3/8"	3/4"	0.300	0.16
20504.W0050I	0.500	0.250	1/2"	15/16"	0.400	0.48
20504.W0063I	0.625	0.312	5/8"	1-1/16"	0.450	0.96
20504.W0075I	0.750	0.375	3/4"	1-1/4"	0.500	1.60
20504.W0088I	0.875	0.437	7/8"	1-7/16"	0.600	1.12
20504.W0100I	1.000	0.500	1"	1-5/8"	0.700	3.48