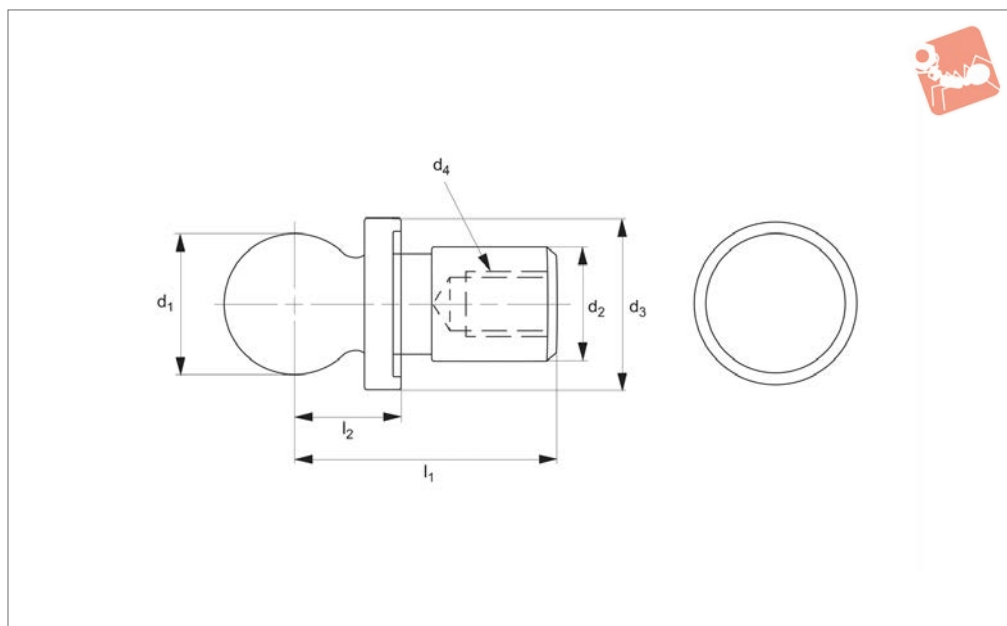




# Construction Balls

imperial and metric - shoulder type

## Gauging & Inspection



**20512**

GAUGING & INSPECTION

### Material

Hardened and ground steel (8620 steel).

### Technical Notes

Concentricity of ball to shank: ,0002 T.I.R.

### Important Notes

Used as reference points for inspection applications in conjunction with CMMs to accurately measure the work piece.

Order No.	Type	d <sub>1</sub>		d <sub>2</sub>		d <sub>3</sub>	d <sub>4</sub> UNC-2B	l <sub>1</sub>	l <sub>2</sub>		Weight g
		inch	±0.0002 in   ±0.005 mm	inch	±0.0004 in   -0.010 mm				inch	±0.0002 in   ±0.005 mm	
20512.W0006	Inch	0,500		0,250		1/2"	6-32x3/16"	5/8"	0,313		13,6
20512.W0010	Inch	0,500		0,250		1/2"		5/8"	0,313		13,6
20512.W0012	Metric	6		3		6		16	6		4,5
20512.W0050	Metric	10		5		10		20	10		13,6
20512.W0051	Metric	12		6		12		22	12		13,6