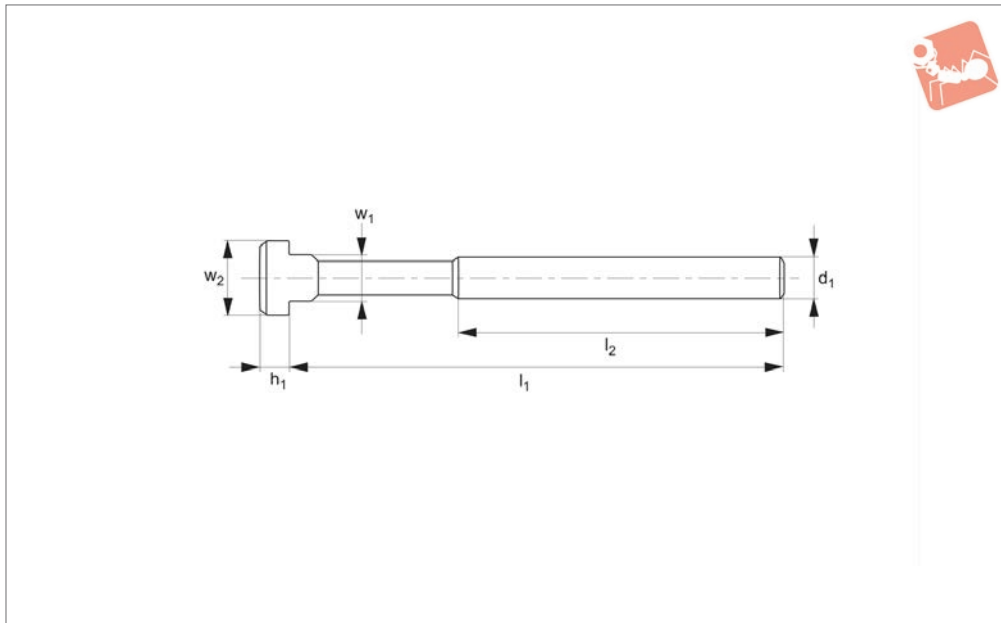




T-Slot Bolts

strength class 8,8/10,9



21000

T-NUTS & T-BOLTS

Material

Forged steel, rolled thread.
Milled T-slot flat faces.

Sizes M 6-M12 strength class 10.9.
Sizes M14-M42 strength class 8.8.

sent by w_2 .

Technical Notes

Produced to DIN787.

Tips

The T-nut element of all T-slot bolts are square, the dimension of which is repre-

Order No.	$d_1 \times \text{T-Slot} \times l_1$	l_2	w_1	w_2	h_1	Weight g
21000.W0061	M 6x6x25	15	5.7	10	4	9
21000.W0062	M 6x6x40	28	5.7	10	4	12
21000.W0081	M 8x8x32	22	7.7	13	6	20
21000.W0082	M 8x8x50	35	7.7	13	6	25
21000.W0083	M 8x8x80	50	7.7	13	6	30
21000.W0101	M10x10x40	30	9.7	15	6	30
21000.W0102	M10x10x63	45	9.7	15	6	50
21000.W0103	M10x10x100	60	9.7	15	6	70
21000.W0104	M10x10x80	50	9.7	15	6	60
21000.W0121	M12x12x50	33	11.7	18	7	60
21000.W0122	M12x12x63	40	11.7	18	7	65
21000.W0123	M12x12x80	55	11.7	18	7	75
21000.W0124	M12x12x125	75	11.7	18	7	110
21000.W0126	M12x12x100	65	11.7	18	7	90
21000.W0127	M12x12x160	100	11.7	18	7	135
21000.W0125	M12x12x200	120	11.7	18	7	160
21000.W0141	M12x14x50	33	13.7	22	8	70
21000.W0142	M12x14x63	45	13.7	22	8	80
21000.W0143	M12x14x80	55	13.7	22	8	100
21000.W0144	M12x14x125	75	13.7	22	8	120
21000.W0145	M12x14x200	120	13.7	22	8	180
21000.W0146	M12x14x100	65	13.7	22	8	110
21000.W0147	M12x14x160	100	13.7	22	8	150
21000.W0159	M14x16x80	55	15.7	25	9	130
21000.W0160	M14x16x125	75	15.7	25	9	180
21000.W0161	M14x16x63	45	15.7	25	9	115
21000.W0162	M14x16x100	65	15.7	25	9	150
21000.W0163	M14x16x160	100	15.7	25	9	220
21000.W0164	M14x16x250	150	15.7	25	9	300
21000.W0165	M16x16x63	45	15.7	25	9	140
21000.W0166	M16x16x80	55	15.7	25	9	160
21000.W0167	M16x16x100	65	15.7	25	9	180



Order No.	d ₁ x T-Slot x l ₁	l ₂	w ₁	w ₂	h ₁	Weight g
21000.W0168	M16x16x160	100	15.7	25	9	270
21000.W0169	M16x16x200	125	15.7	25	9	315
21000.W0170	M16x16x250	150	15.7	25	9	380
21000.W0171	M16x16x125	85	15.7	25	9	225
21000.W0181	M16x18x63	45	17.7	28	10	160
21000.W0182	M16x18x80	55	17.7	28	10	185
21000.W0183	M16x18x100	65	17.7	28	10	203
21000.W0187	M16x18x125	85	17.7	28	10	245
21000.W0184	M16x18x160	100	17.7	28	10	280
21000.W0185	M16x18x200	125	17.7	28	10	330
21000.W0186	M16x18x250	150	17.7	28	10	430
21000.W0201	M20x20x80	55	19.7	32	12	290
21000.W0202	M20x20x100	65	19.7	32	12	340
21000.W0203	M20x20x125	85	19.7	32	12	390
21000.W0204	M20x20x160	110	19.7	32	12	470
21000.W0205	M20x20x200	125	19.7	32	12	550
21000.W0206	M20x20x250	150	19.7	32	12	670
21000.W0207	M20x20x315	190	19.7	32	12	800
21000.W0221	M20x22x80	55	21.7	35	14	330
21000.W0222	M20x22x100	65	21.7	35	14	370
21000.W0223	M20x22x125	85	21.7	35	14	428
21000.W0224	M20x22x160	110	21.7	35	14	500
21000.W0225	M20x22x200	125	21.7	35	14	570
21000.W0226	M20x22x250	150	21.7	35	14	680
21000.W0227	M20x22x315	190	21.7	35	14	820
21000.W0241	M24x24x100	70	23.7	40	16	540
21000.W0242	M24x24x125	85	23.7	40	16	600
21000.W0243	M24x24x160	110	23.7	40	16	770
21000.W0244	M24x24x200	125	23.7	40	16	900
21000.W0245	M24x24x250	150	23.7	40	16	960
21000.W0246	M24x24x315	190	23.7	40	16	1270
21000.W0247	M24x24x400	240	23.7	40	16	1410
21000.W0281	M24x28x100	70	27.7	44	18	650
21000.W0282	M24x28x125	85	27.7	44	18	720
21000.W0283	M24x28x160	110	27.7	44	18	800
21000.W0284	M24x28x200	125	27.7	44	18	950
21000.W0285	M24x28x250	150	27.7	44	18	1120
21000.W0286	M24x28x315	190	27.7	44	18	1350
21000.W0287	M24x28x400	240	27.7	44	18	1490
21000.W0288	M27x32x160	100	31.6	50	20	1168
21000.W0289	M27x32x200	135	31.6	50	20	1245
21000.W0290	M27x32x315	200	31.6	50	20	1828
21000.W0361	M30x36x125	80	35.6	54	22	1250
21000.W0362	M30x36x160	110	35.6	54	22	1440
21000.W0363	M30x36x200	135	35.6	54	22	1630
21000.W0364	M30x36x250	150	35.6	54	22	1920
21000.W0365	M30x36x315	200	35.6	54	22	2100
21000.W0366	M30x36x500	300	35.6	54	22	3300
21000.W0421	M36x42x160	100	41.6	65	26	2200
21000.W0422	M36x42x250	175	41.6	65	26	2820
21000.W0423	M36x42x400	250	41.6	65	26	3930
21000.W0424	M36x42x600	340	41.6	65	26	5480
21000.W0481	M42x48x160	100	47.6	75	30	3400
21000.W0482	M42x48x250	175	47.6	75	30	4300
21000.W0483	M42x48x400	250	47.6	75	30	5800