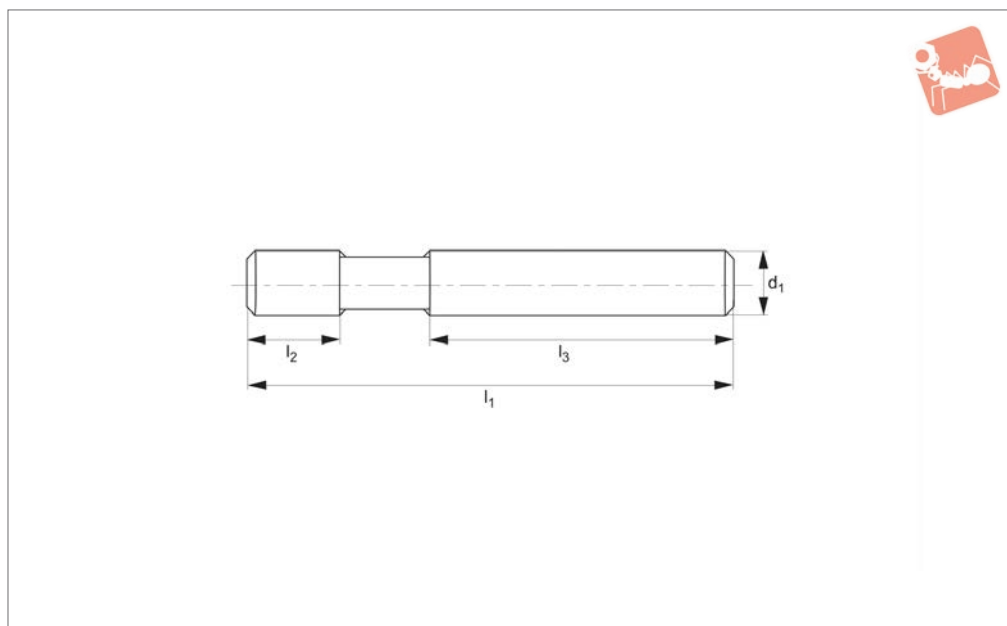




Studs

l_2 longer than DIN 6379 version



21150

T-NUTS & T-BOLTS

Material

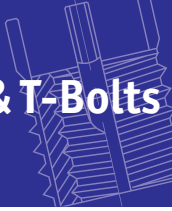
Heat treated steel, blackened.
Strength class 10,9 for M6- M12.
Strength class 8,8 for M16.

Technical Notes

l_2 longer than DIN 6379 version, part no. 21100. Longer thread length provides added security.

Items marked * have full length threaded (hence l_2 and l_3 no longer valid).

Order No.	$d_1 \times l_1$	l_2	l_3	Weight g
21150.W1202	M20x125*	-	-	305
21150.W1207	M20x160*	-	-	328
21150.W1203	M20x200	55	100	404
21150.W1204	M20x250	55	125	585
21150.W1205	M20x315	55	180	740
21150.W1208	M20x400	55	250	943
21150.W1206	M20x500	55	315	1175
21150.W1246	M24x125*	-	-	365
21150.W1242	M24x160*	-	-	467
21150.W1247	M24x200*	-	-	585
21150.W1243	M24x250*	-	-	733
21150.W1248	M24x315	70	180	1075
21150.W1244	M24x400	70	250	1366
21150.W1249	M24x500	70	315	1700
21150.W0562	M 6x50	15	30	8
21150.W0563	M 6x63	15	40	11
21150.W0564	M 6x80	15	50	14
21150.W0582	M 8x63	20	40	19
21150.W0583	M 8x100	20	63	31
21150.W0584	M 8x160	20	100	49
21150.W0602	M10x80	25	50	39
21150.W0603	M10x100	25	75	49
21150.W0604	M10x125	25	75	61
21150.W0605	M10x160	25	100	78
21150.W0606	M10x200	25	125	98
21150.W0622	M12x63*	-	-	44
21150.W0623	M12x80*	-	-	56
21150.W0624	M12x100	30	63	70
21150.W0625	M12x125	30	75	88
21150.W0626	M12x160	30	100	112
21150.W0627	M12x200	30	125	140
21150.W0662	M16x80*	-	-	103
21150.W0664	M16x125	40	63	161
21150.W0665	M16x160	40	75	207



Studs

l_2 longer than DIN 6379 version



Order No.	$d_1 \times l_1$	l_2	l_3	Weight g
21150.W0666	M16x200	40	100	260
21150.W0667	M16x250	40	125	325