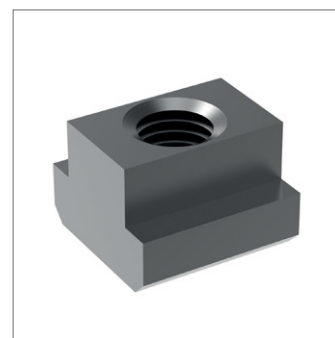
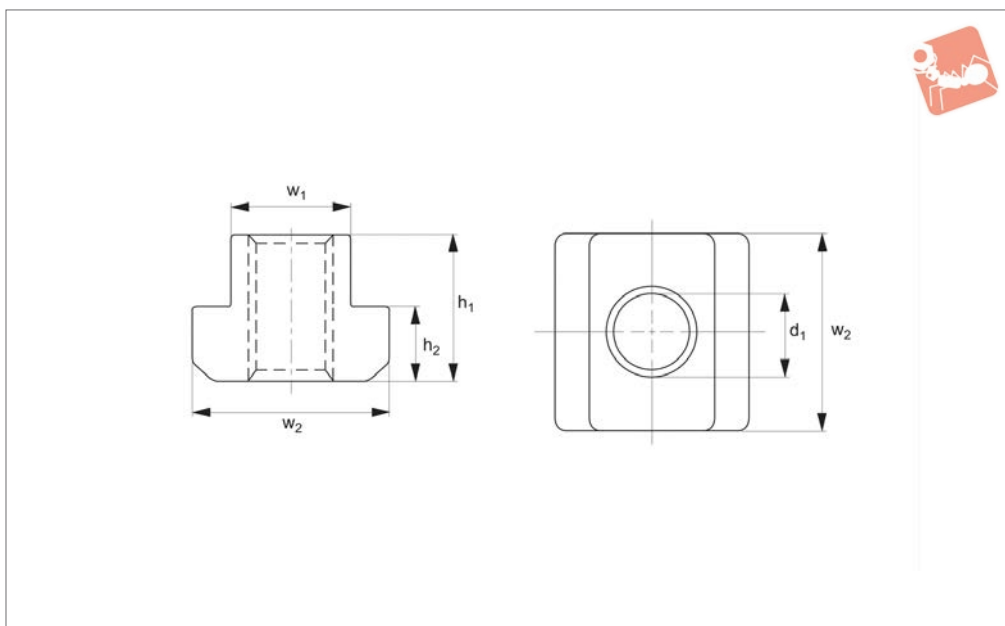




# T-Nuts

steel - strength class 10



**24000**

T-NUTS & T-BOLTS

### Material

Steel, heat-treated, to tensile strength class 10.

### Technical Notes

T-nuts to DIN 508.

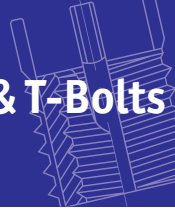
Further T-nut sizes and qualities on request.

Please note T-nuts are square, length and width are both equal to dimension  $w_2$ .

### Important Notes

Full load capacity of T-nut can only be achieved if 100% of T-nut's thread is in use.

Order No.	$d_1$ x T-Slot	$w_1$	$w_2$	$h_1$	$h_2$	Testing force to DIN 508 kN	Weight g
24000.W0041	M 4x5	4.6	9	6.5	3	7.0	2
24000.W0061	M 5x6	5.7	10	8.0	4	11.4	3
24000.W0081	M 6x8	7.7	13	10.0	6	16.0	8
24000.W0091	M 6x10	9.6	15	12.0	6	16.0	14
24000.W0101	M 8x10	9.7	15	12.0	6	29.0	13
24000.W0121	M 8x12	11.7	18	14.0	7	29.0	23
24000.W0122	M10x12	11.7	18	14.0	7	46.0	20
24000.W0141	M 8x14	13.7	22	16.0	8	29.0	41
24000.W0142	M10x14	13.7	22	16.0	8	46.0	37
24000.W0143	M12x14	13.7	22	16.0	8	67.0	34
24000.W0161	M 8x16	15.7	25	18.0	9	29.0	50
24000.W0162	M10x16	15.7	25	18.0	9	46.0	60
24000.W0163	M12x16	15.7	25	18.0	9	67.0	54
24000.W0164	M14x16	15.7	25	18.0	9	-	49
24000.W0181	M 8x18	17.7	28	20.0	10	29.0	91
24000.W0182	M10x18	17.7	28	20.0	10	46.0	87
24000.W0183	M12x18	17.7	28	20.0	10	67.0	82
24000.W0184	M14x18	17.7	28	20.0	10	-	74
24000.W0185	M16x18	17.7	28	20.0	10	128.0	68
24000.W0200	M12x20	19.6	32	24.0	12	67.0	107
24000.W0201	M16x20	19.7	32	24.0	12	128.0	110
24000.W0202	M18x20	19.7	32	24.0	12	-	108
24000.W0220	M12x22	21.6	35	28.0	14	67.0	189
24000.W0221	M16x22	21.7	35	28.0	14	128.0	176
24000.W0222	M18x22	21.7	35	28.0	14	-	163
24000.W0223	M20x22	21.7	35	28.0	14	196.0	155
24000.W0241	M16x24	23.7	40	32.0	16	128.0	260
24000.W0242	M20x24	23.7	40	32.0	16	196.0	235
24000.W0243	M22x24	23.7	40	32.0	16	-	220
24000.W0281	M16x28	27.7	44	36.0	18	128.0	383
24000.W0282	M20x28	27.7	44	36.0	18	196.0	355
24000.W0283	M22x28	27.7	44	36.0	18	-	340

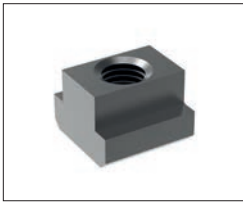


Order No.	d <sub>1</sub> x T-Slot	w <sub>1</sub>	w <sub>2</sub>	h <sub>1</sub>	h <sub>2</sub>	Testing force to DIN 508 kN	Weight g
24000.W0284	M24x28	27.7	44	36.0	18	282.0	322
24000.W0301	M24x30	29.7	48	38.0	19	-	440
24000.W0321	M27x32	31.6	50	40.0	20	-	460
24000.W0361	M24x36	35.6	54	44.0	22	282.0	700
24000.W0362	M30x36	35.6	54	44.0	22	448.0	590
24000.W0421	M30x42	41.6	65	52.0	26	-	1150
24000.W0422	M36x42	41.6	65	52.0	26	653.0	1010
24000.W0481	M42x48	47.6	75	60.0	30	653.0	1600
24000.W0541	M48x54	53.6	85	70.0	34	653.0	2300

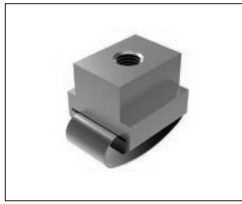


### Nuts

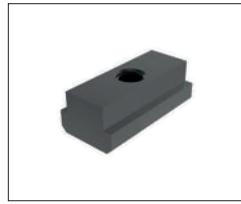
Available in heat treated steel, unless stated otherwise.



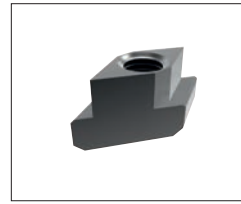
**24000** T-Nut, Strength Class 10 DIN 508.



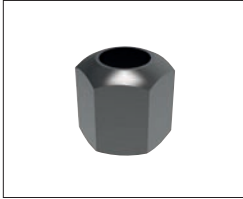
**24010** T-Nut with Anti-Slip Device.



**24100** Extended T-Nut. Strength Class 10.



**24120** Rhombus T-Nuts



**24300** Fixture Nuts. Strength Class 10 - DIN 6330B



**24400** Collar Nuts, DIN 6331



**24502** Fast Nut - With Collar Rapid Assembly Nut



**24520** - Steel Slip-On Lock Nuts - Rapid Assembly Nut.



**24600** Extension Nuts Strength Class 10.



**24620** Swivel Nuts, Conical Seat

### Washers

Available in a range of steel types - see product for details.



**25000** - Hardened Steel - Plain Washers. DIN 6340.



**25100** - Case Hardened Steel - Spherical Seat Washers. Type C - DIN 6319C.



**25400** - Case Hardened Steel - Dished Washers, Type D - DIN 6319D.



**25700** - Tempered Steel - Dished Washers, Type G - DIN 6319G.



**25900** - Stainless Steel Compact Spherical Washer, Conical Seat, similar to DIN6319