

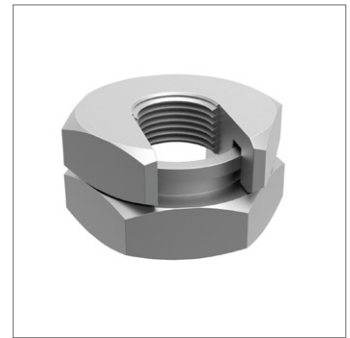
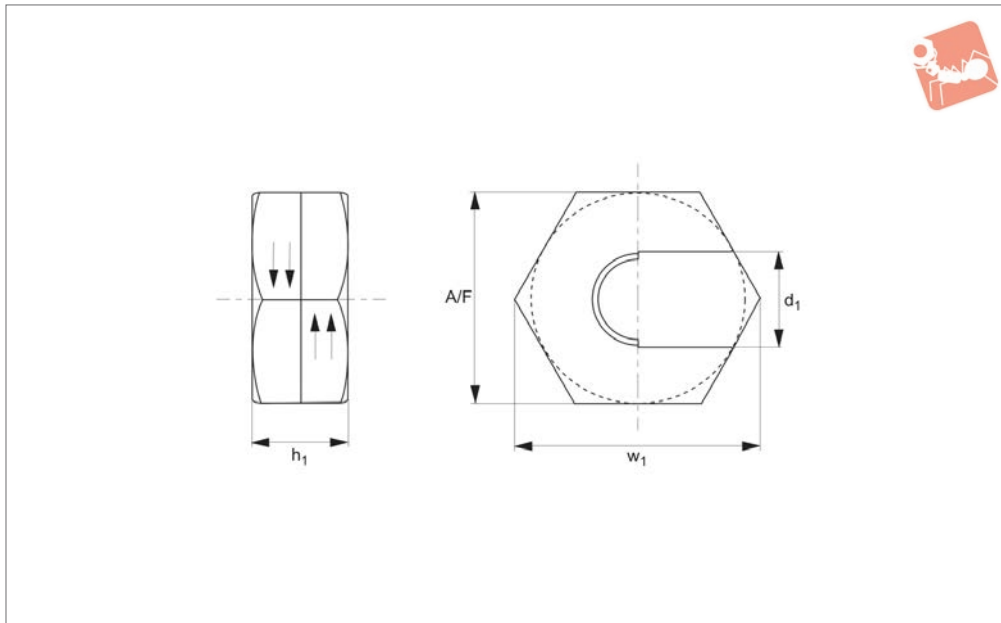


Lock Nuts - Slip-On

rapid assembly nut



Nuts



24520

NUTS

Material

Steel, strength class 6, hardened and zinc plated.
Coarse thread.

Technical Notes

Avoid time consuming winding & unwin-

ding on long threads and overcome issues of damaging threads. The slip-on lock nut is easy to position at any point on a thread. Just open the lock nut, position where required, twist the lock nut closed and tighten with a spanner. Still with high load

forces. Safety factor of 2.5 times in load recommendations. Tested from 5 to 2000 Hz over a 10 minute period with no evidence of loosening.

Order No.	d_1	w_1	h_1	A/F	Load kN max.	Torque to Nm max.	Weight g
24520.W0106	M 6	18.2	9.5	16	2.9	8-11	9
24520.W0108	M 8	22.0	9.5	19	-	18-25	15
24520.W0110	M10	25.7	12.4	22	8.9	26-34	25
24520.W0112	M12	31.1	15.9	27	17.8	68-81	45
24520.W0114	M14	31.1	15.9	27	17.8	68-81	45
24520.W0116	M16	38.5	16.5	33	22.2	136-271	71
24520.W0118	M18	38.5	16.5	33	22.2	136-271	71
24520.W0120	M20	47.7	20.3	41	35.6	244-271	141
24520.W0122	M22	58.6	25.4	51	-	-	259
24520.W0124	M24	58.6	25.4	51	-	-	249





The Fast Nut is quickly assembled, simply pull apart the segments to open - slide nut over thread to required location. Push the two threaded segments together to engage on thread. Lock the nut in place with a simple quarter to half turn of a standard spanner.



Quick Fastening

- There are no problems if the top of a threaded rod is damaged, the Fast Nut can slip over the damaged section.
- There are no issue of cross threading.
- Easy assembly in confined spaces.
- Flexibility to leave clamping to the last moment.

Disassembly

Ease the nut off a quarter turn with a spanner, unlock the Fast Nut and remove from the thread.

Quick Release

- For quick release and disassembly of the nut simply pull apart the nut casing to release.
- Zinc plated for a degree of rust protection.
- The Fast Nut simply slips over a rusted or paint covered thread to the fixing area.
- No issue of thread seizing.
- Time saving, yet just as high holding force!
- Can slip over damaged or bent studding up to an angle of approx. 20°.

Available Sizes

- M6, M8, M10, M12, M16, M20, M24.

Applications

- Construction industry.
- Temporary buildings, scaffolding.
- Automotive.
- Flange and instrument fittings.
- Jig and fixture builds.
- Mechanical applications.

Saving Time, Effort and Cost

- Up to 50% faster assembly and disassembly (up to 500% in difficult and confined environments).
- One piece, so individual parts can't be lost
- Maintenance free and re-usable.
- Corrosion resistant, ideal for outdoors.

Technical Data

- Two part construction, with parts retained (undetachable).
- Tempering and surface protection to DIN/ISO standards as for a normal nut.
- Thread interference up to 180% of a standard nut.
- No need for a special spanner.

Material

- Heat treated steel, zinc plated.
- Strength class 10 = 1060 N/mm².
- Temperature resistant to +150°C.

