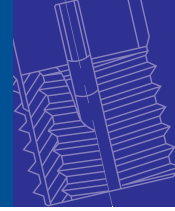


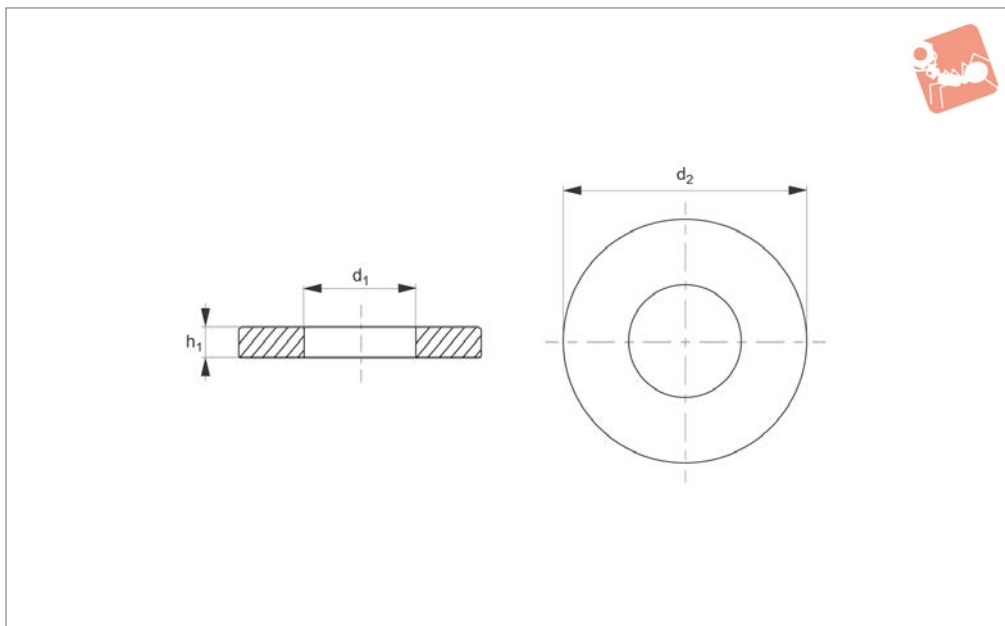


Plain Washers

steel



Washers



25000

WASHERS

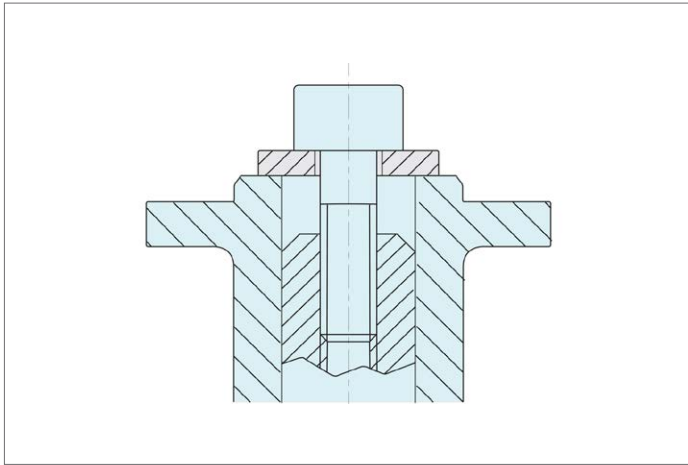
Material

Tempered steel (350+80 HV30), (1200-1400N/mm² tensile strength).

Technical Notes

Produced to DIN 6340.

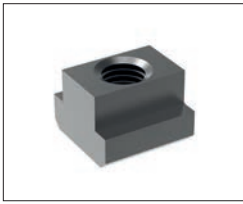
Order No.	For thread	For thread inch	d ₁	d ₂	h ₁	Weight g
25000.W0106	M 6	1/4"	6.4	17	3	5
25000.W0108	M 8	5/16"	8.4	23	4	10
25000.W0110	M10	3/8"	10.5	28	4	16
25000.W0112	M12	1/2"	13.0	35	5	35
25000.W0114	M14	-	15.0	40	5	40
25000.W0116	M16	5/8"	17.0	45	6	60
25000.W0118	M18	-	19.0	45	6	60
25000.W0120	M20	3/4"	21.0	50	6	73
25000.W0122	M22	7/8"	23.0	50	8	92
25000.W0124	M24	7/8"	25.0	60	8	170
25000.W0127	M27	1-1/16"	28.0	68	10	210
25000.W0130	M30	1-1/8", 1-3/16"	31.0	68	10	230
25000.W0136	M36	1-1/4", 1-3/8"	38.0	80	10	350
25000.W0142	M42	1-1/2"	44.0	100	15	670
25000.W0148	M48	1-3/4"	50.0	108	17	920



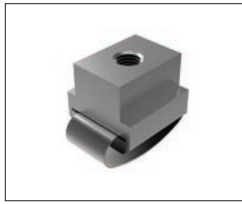


Nuts

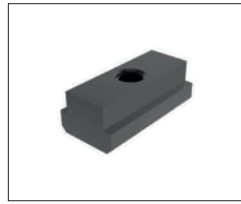
Available in heat treated steel, unless stated otherwise.



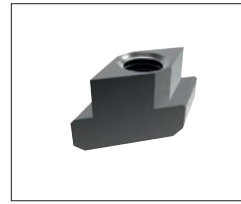
24000 T-Nut, Strength Class 10 DIN 508.



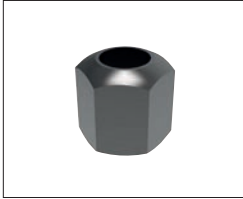
24010 T-Nut with Anti-Slip Device.



24100 Extended T-Nut. Strength Class 10.



24120 Rhombus T-Nuts



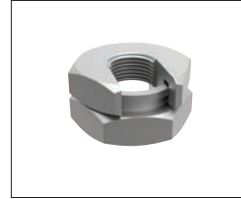
24300 Fixture Nuts. Strength Class 10 - DIN 6330B



24400 Collar Nuts, DIN 6331



24502 Fast Nut - With Collar Rapid Assembly Nut



24520 - Steel Slip-On Lock Nuts - Rapid Assembly Nut.



24600 Extension Nuts Strength Class 10.



24620 Swivel Nuts, Conical Seat

Washers

Available in a range of steel types - see product for details.



25000 - Hardened Steel - Plain Washers. DIN 6340.



25100 - Case Hardened Steel - Spherical Seat Washers. Type C - DIN 6319C.



25400 - Case Hardened Steel - Dished Washers, Type D - DIN 6319D.



25700 - Tempered Steel - Dished Washers, Type G - DIN 6319G.



25900 - Stainless Steel Compact Spherical Washer, Conical Seat, similar to DIN6319