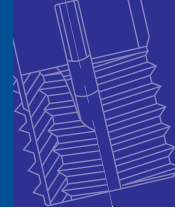


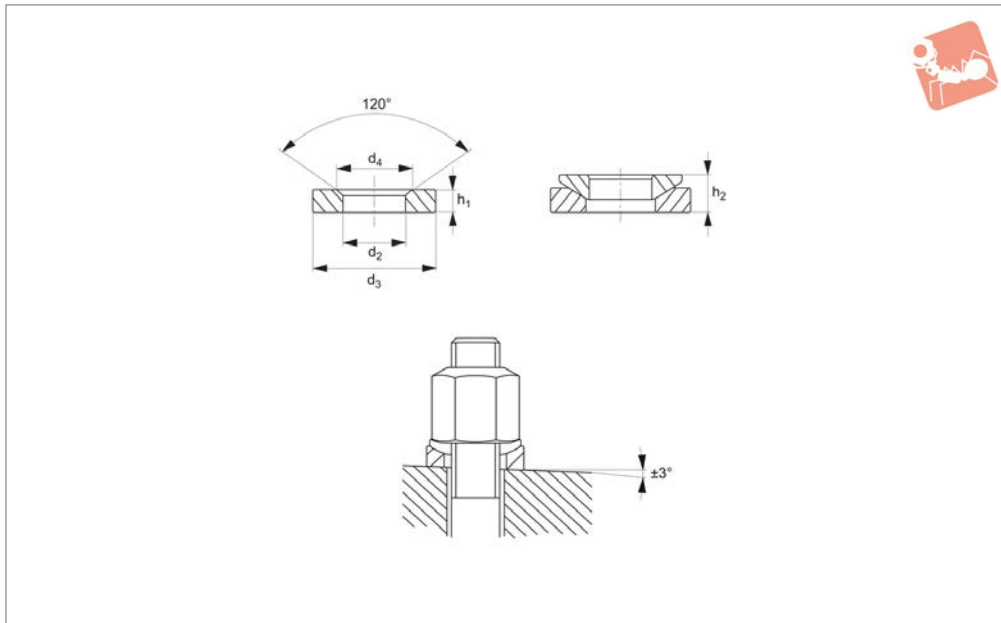


# Dished Washers

stainless steel 316



# Washers



**25505**

WASHERS

**Material**

Stainless steel (AISI 316, 1.4401).

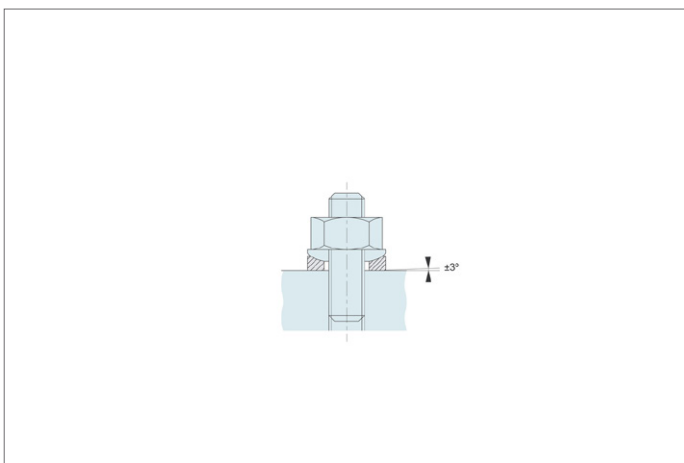
Use with spherical seat washer no. 25205 0,12.  
(type C). Torque values are approximate.

**Technical Notes**

Similar to DIN 6319D.

Please consider the actual preloads in your application and a coefficient of friction of

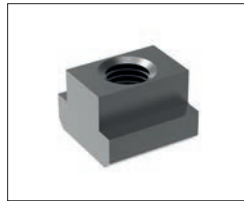
Order No.	For metric thread d <sub>1</sub>	For thread d <sub>1</sub> inch	d <sub>2</sub> tol. H13	d <sub>3</sub>	d <sub>4</sub>	h <sub>1</sub>	Torque Nm max.	Load capacity for static load kN max.	With 25205 h <sub>2</sub>	Weight g
<b>25505.W0406</b>	M 6	1/4"	7,1	12	11,0	2,8	6	6	4,0	1
<b>25505.W0408</b>	M 8	5/16"	9,6	17	14,5	3,5	16	12	5,3	4
<b>25505.W0410</b>	M10	3/8"	12,0	21	18,5	4,2	32	16	6,3	7
<b>25505.W0412</b>	M12	1/2"	14,2	24	20,0	5,0	56	24	7,9	11
<b>25505.W0416</b>	M16	5/8"	19,0	30	26,0	6,2	135	45	9,3	19
<b>25505.W0420</b>	M20	3/4"	23,2	36	31,0	7,5	280	71	11,6	32
<b>25505.W0424</b>	M24	7/8"	28,0	44	37,0	9,5	455	105	14,9	63
<b>25505.W0430</b>	M30	1-1/8", 1-3/16"	35,0	56	49,0	12,0	1050	191	18,8	127
<b>25505.W0436</b>	M36	1-1/4", 1-3/8"	42,0	68	60,0	15,0			23,4	234
<b>25505.W0442</b>	M42	1-1/2"	49,0	78	70,0	18,0			28,3	362
<b>25505.W0448</b>	M48	1-3/4"	56,0	92	82,0	22,0			35,0	642



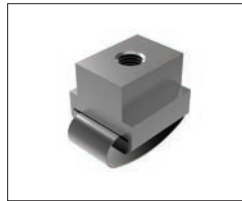


**Nuts**

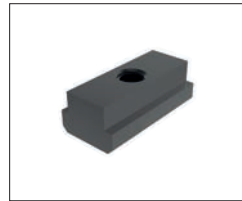
Available in heat treated steel, unless stated otherwise.



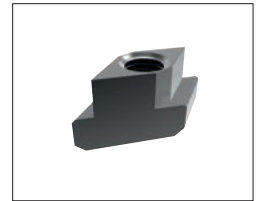
**24000** T-Nut, Strength Class 10 DIN 508.



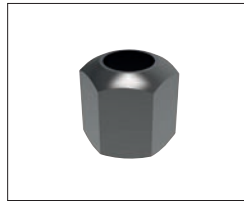
**24010** T-Nut with Anti-Slip Device.



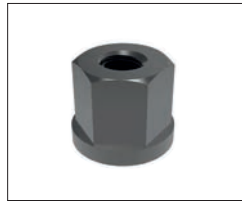
**24100** Extended T-Nut. Strength Class 10.



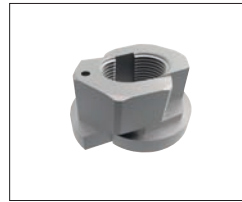
**24120** Rhombus T-Nuts



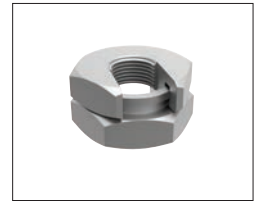
**24300** Fixture Nuts. Strength Class 10 - DIN 6330B



**24400** Collar Nuts, DIN 6331



**24502** Fast Nut - With Collar Rapid Assembly Nut



**24520 - Steel** Slip-On Lock Nuts - Rapid Assembly Nut.



**24600** Extension Nuts Strength Class 10.



**24620** Swivel Nuts, Conical Seat

**Washers**

Available in a range of steel types - see product for details.



**25000** - Hardened Steel - Plain Washers. DIN 6340.



**25100** - Case Hardened Steel - Spherical Seat Washers. Type C - DIN 6319C.



**25400** - Case Hardened Steel - Dished Washers, Type D - DIN 6319D.



**25700** - Tempered Steel - Dished Washers, Type G - DIN 6319G.



**25900** - Stainless Steel Compact Spherical Washer, Conical Seat, similar to DIN6319