

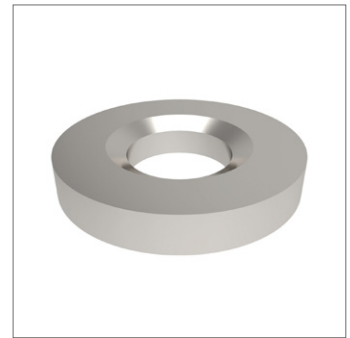
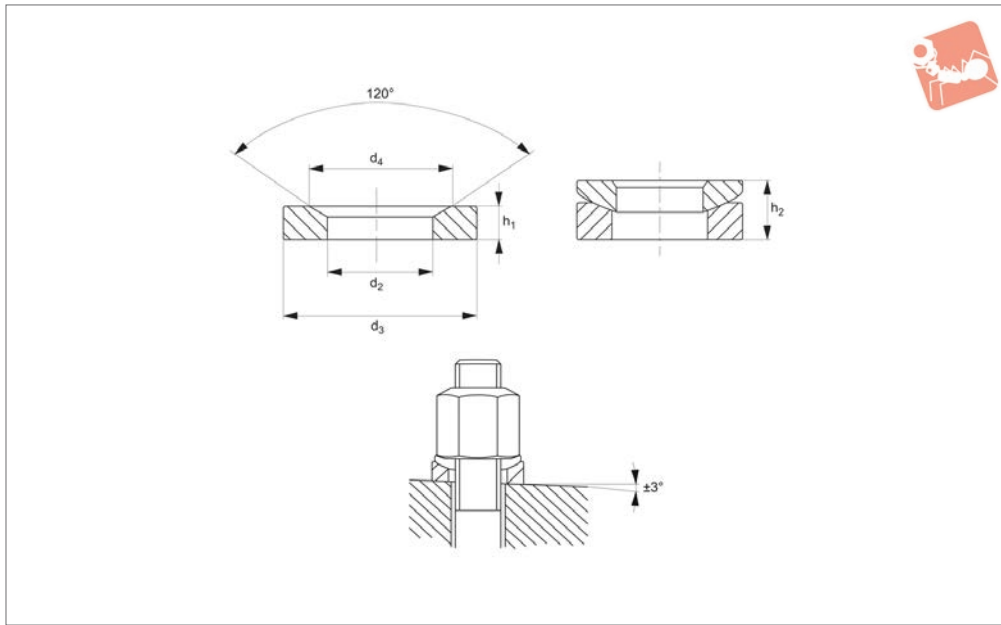


Dished Washers

stainless steel 303



Washers



25800

WASHERS

Material

Stainless steel 1.4305 (AISI 303).

Their large diameter makes them suitable to bridge wide slots.

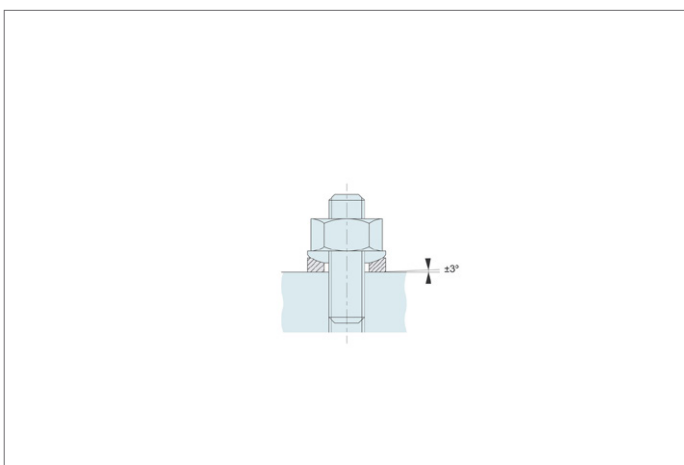
be considered, coefficient of friction μ total 0,12.

Technical Notes

Similar to DIN 6319G.

*Torque values of screwed connector A2-70 are approximate. Actual preloads should

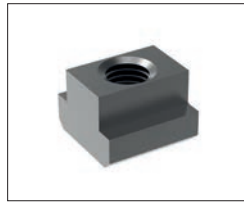
Order No.	For metric thread d_1	For thread d_1 inch	d_2 tol. H13	d_3	h_1	d_4	Load capacity for static load kN max.	Torque Nm max.	With 25200 h_2	Weight g
25800.W0106	M 6	1/4"	7,1	17	4	11,0	6	6	5,2	6
25800.W0108	M 8	5/16"	9,6	24	5	14,5	12	16	6,8	15
25800.W0110	M10	3/8"	12,0	30	5	18,5	16	32	7,1	22
25800.W0112	M12	1/2"	14,2	36	6	20,0	24	56	8,9	40
25800.W0116	M16	5/8"	19,0	44	7	26,0	45	135	10,1	66
25800.W0120	M20	3/4"	23,2	50	8	31,0	71	280	12,1	95
25800.W0124	M24	7/8"	28,0	60	10	37,0	105	455	15,4	171
25800.W0130	M30	1-1/8", 1-3/16"	35,0	68	12	49,0	191	1050	18,8	236



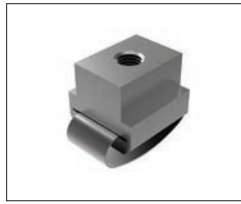


Nuts

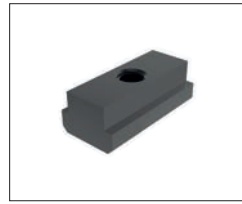
Available in heat treated steel, unless stated otherwise.



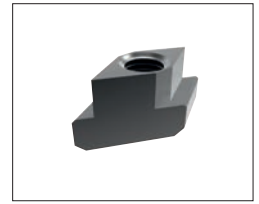
24000 T-Nut, Strength Class 10 DIN 508.



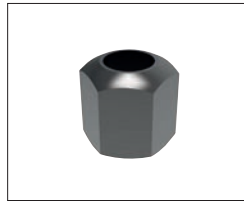
24010 T-Nut with Anti-Slip Device.



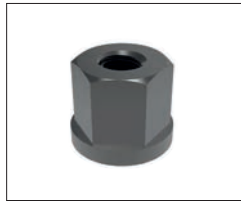
24100 Extended T-Nut. Strength Class 10.



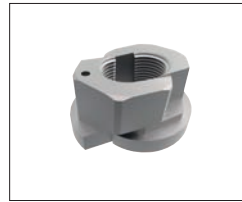
24120 Rhombus T-Nuts



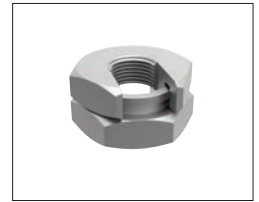
24300 Fixture Nuts. Strength Class 10 - DIN 6330B



24400 Collar Nuts, DIN 6331



24502 Fast Nut - With Collar Rapid Assembly Nut



24520 - Steel Slip-On Lock Nuts - Rapid Assembly Nut.



24600 Extension Nuts Strength Class 10.



24620 Swivel Nuts, Conical Seat

Washers

Available in a range of steel types - see product for details.



25000 - Hardened Steel - Plain Washers. DIN 6340.



25100 - Case Hardened Steel - Spherical Seat Washers. Type C - DIN 6319C.



25400 - Case Hardened Steel - Dished Washers, Type D - DIN 6319D.



25700 - Tempered Steel - Dished Washers, Type G - DIN 6319G.



25900 - Stainless Steel Compact Spherical Washer, Conical Seat, similar to DIN6319