

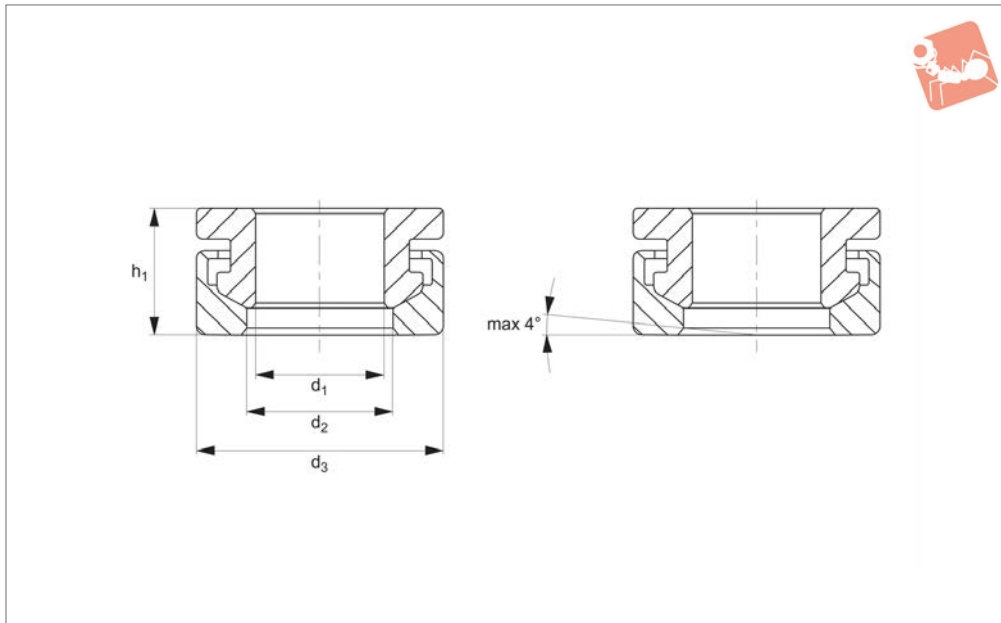


Compact Spherical Washer

conical seat



Washers



25900

WASHERS

Material

Seat washer: steel, heat treated or stainless steel (AISI 303, 1.4305)

Spherical washer: steel, case-hardened or stainless steel (AISI 303, 1.4305)

Technical Notes

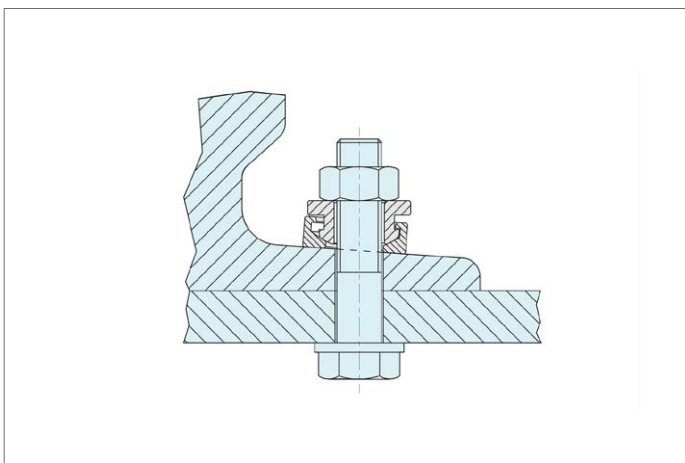
Similar to DIN 6319.

A permanently fastened spherical washer and conical seat offering increased safety, quick assembly and security against loss.

Max. swivel range $\pm 4^\circ$.

***Load capacity relates to steel version only.**

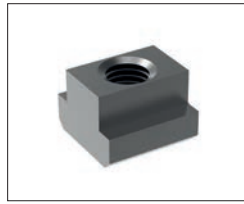
Order No.	Material	For thread	d ₁ tol. H13	d ₂	d ₃	h ₁	Load kN max.	Weight g
25900.W0506	Steel	M 6	6.4	7.4	13	7.0	9	4
25900.W0508	Steel	M 8	8.4	9.7	17	8.5	17	9
25900.W0510	Steel	M10	10.5	12.0	21	10.4	26	17
25900.W0512	Steel	M12	13.0	14.8	25	13.1	38	34
25900.W0516	Steel	M16	17.0	19.7	32	17.0	73	61
25900.W0520	Steel	M20	21.0	24.6	40	20.3	117	113
25900.W0556	Stainless Steel	M 6	6.4	7.4	13	7.0	9	4
25900.W0558	Stainless Steel	M 8	8.4	9.7	17	8.5	17	9
25900.W0560	Stainless Steel	M10	10.5	12.0	21	10.4	26	17
25900.W0562	Stainless Steel	M12	13.0	14.8	25	13.1	38	34
25900.W0566	Stainless Steel	M16	17.0	19.7	32	17.0	73	61
25900.W0570	Stainless Steel	M20	21.0	24.6	40	20.3	117	113



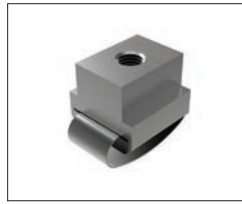


Nuts

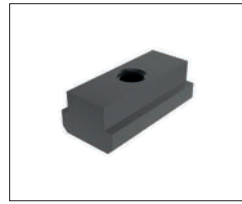
Available in heat treated steel, unless stated otherwise.



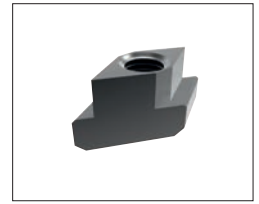
24000 T-Nut, Strength Class 10 DIN 508.



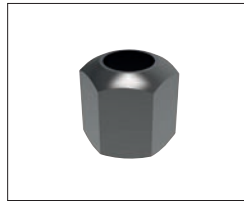
24010 T-Nut with Anti-Slip Device.



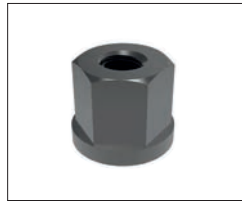
24100 Extended T-Nut. Strength Class 10.



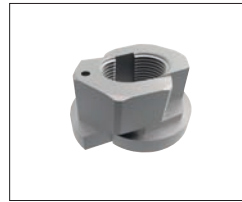
24120 Rhombus T-Nuts



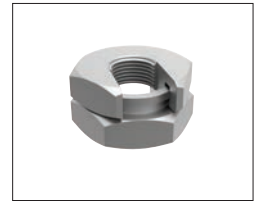
24300 Fixture Nuts. Strength Class 10 - DIN 6330B



24400 Collar Nuts, DIN 6331



24502 Fast Nut - With Collar Rapid Assembly Nut



24520 - Steel Slip-On Lock Nuts - Rapid Assembly Nut.



24600 Extension Nuts Strength Class 10.



24620 Swivel Nuts, Conical Seat

Washers

Available in a range of steel types - see product for details.



25000 - Hardened Steel - Plain Washers. DIN 6340.



25100 - Case Hardened Steel - Spherical Seat Washers. Type C - DIN 6319C.



25400 - Case Hardened Steel - Dished Washers, Type D - DIN 6319D.



25700 - Tempered Steel - Dished Washers, Type G - DIN 6319G.



25900 - Stainless Steel Compact Spherical Washer, Conical Seat, similar to DIN6319