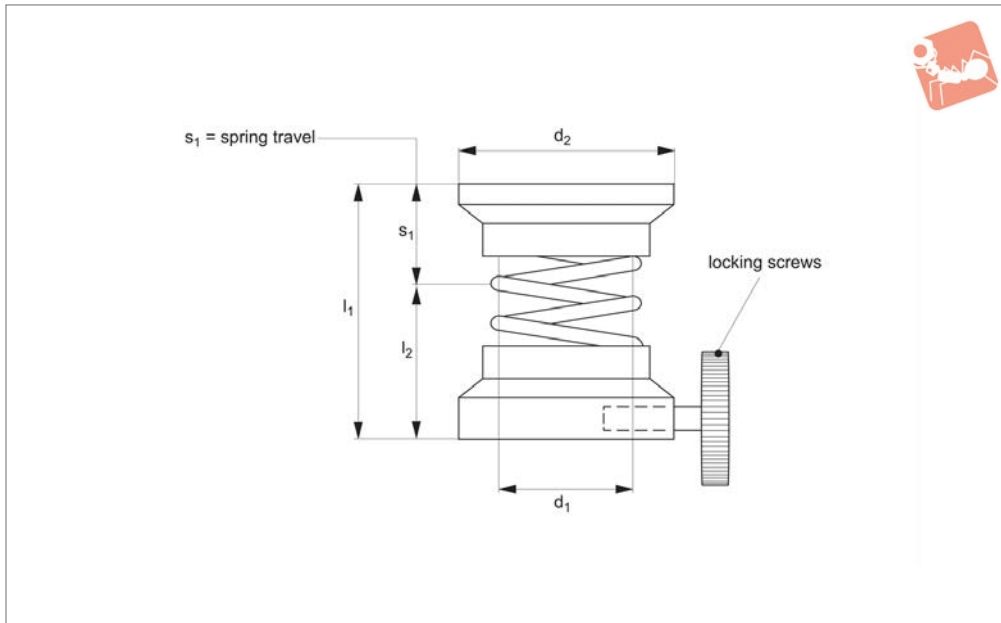




Clamp Supports - Spring Type

with brass locking screw

T-Nuts & T-Bolts



26000

T-NUTS & T-BOLTS

Technical Notes

With brass locking screw.

Used as clamp support to prevent the clamp falling when parts are unclamped.

Order No.	For thread	d ₁	d ₂	l ₁	l ₂	Spring travel s ₁	Weight g
26000.W0101	M 8-M10	10.5	22	30	22	8	41
26000.W0102	M12-M14	14.5	26	32	22	10	55
26000.W0103	M16-M18	18.5	32	38	26	12	89
26000.W0104	M20-M22	22.5	38	40	28	12	133
26000.W0105	M24-M27	27.5	45	44	32	12	177

