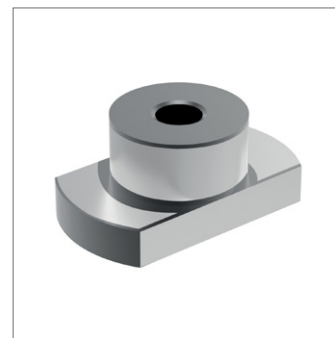
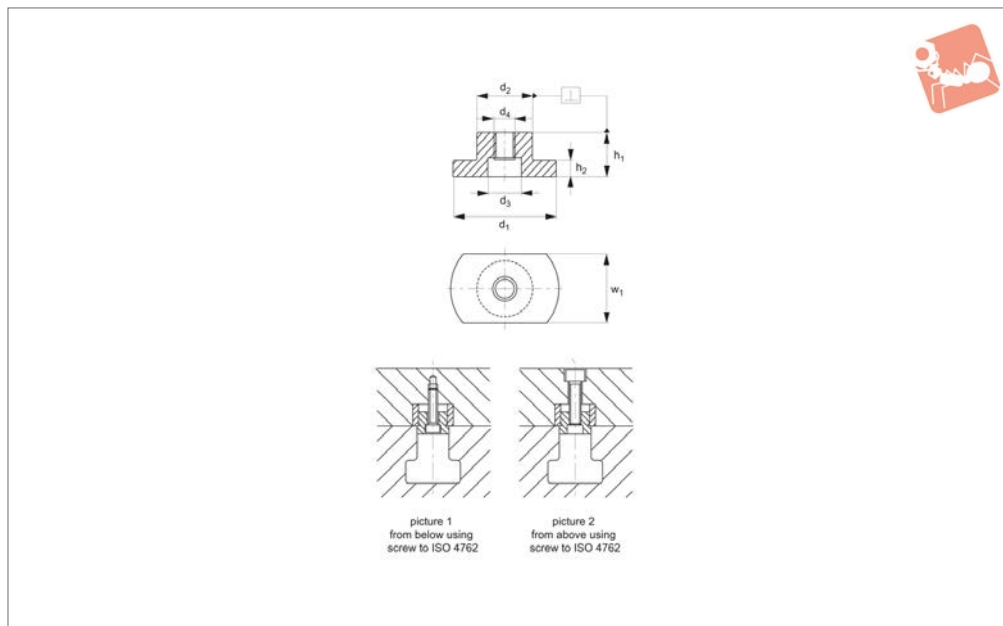




# Fixed Slot Tenons with cylindrical position

# Tenons, Locating Pads & Drill



**30080**

TENONS, LOCATING PADS & DRILL BUSHES

### Material

Steel, heat-treated, case-hardened, blackened and ground.

### Technical Notes

Used for locating fixtures and clamping elements on mounting pallets with cylindrical location holes. They can also be inserted into bored holes and T-slots.

dical location holes. They can also be inserted into bored holes and T-slots.

Order No.	Machine slot Size $w_1$ tol. h6	$d_1$	Fixture slot size $d_2$ tol. h6	$d_3$	$h_1$	$h_2$	For screws ISO 4762 picture 1	For screws ISO 4762 picture 2 $d_4$	Weight g
30080.W0110	10	30	20	11	15,5	5,8	M 6x10	M 8	28
30080.W0112	12	30	20	11	15,5	5,8	M 6x10	M 8	39
30080.W0114	14	30	20	11	15,5	5,8	M 6x16	M 8	41
30080.W0116	16	30	20	11	15,5	5,8	M 6x16	M 8	36
30080.W0118	18	30	20	11	15,5	5,8	M 6x16	M 8	45
30080.W0120	20	36	20	11	15,5	5,8	M 6x16	M 8	48
30080.W0122	22	40	20	11	15,5	5,8	M 6x16	M 8	54
30080.W0128	28	42	20	11	15,5	5,8	M 6x16	M 8	65
30080.W0136	36	48	20	11	15,5	5,8	M 6x16	M 8	86