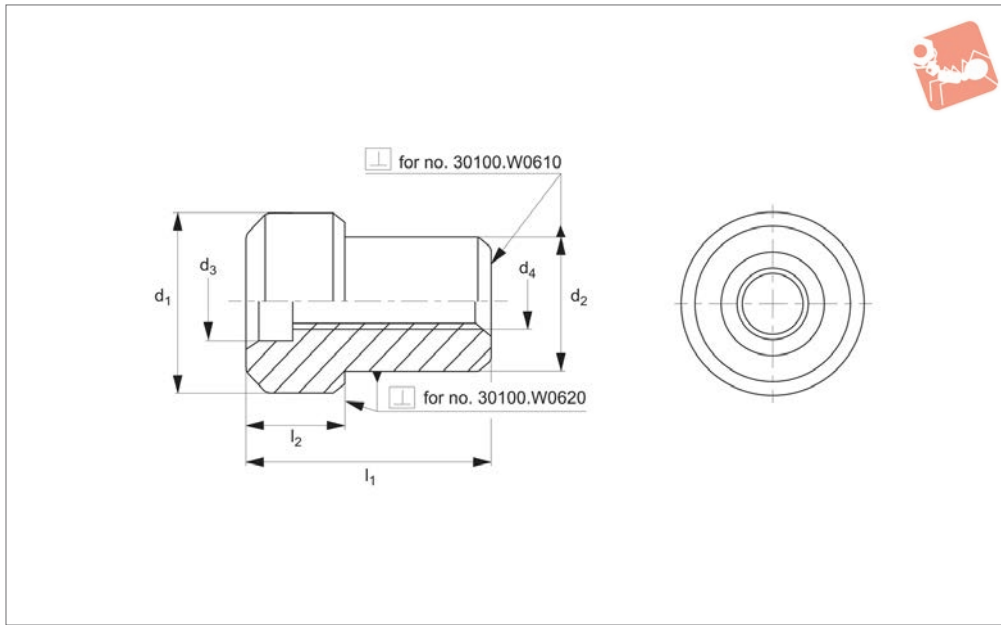




Centering Pins - Stepped for fixtures and pallets

Tenons, Locating Pads & Drill



30100

TENONS, LOCATING PADS & DRILL BUSHES

Material

Steel, alloyed, case-hardened, ground.

Technical Notes

Used for centering fixtures on pallets.

Order No.	l_1	l_2	d_1 tol. h6	d_2 tol. h6	d_3	d_4	Weight g
30100.W0610	35	12	25	20	11	M 8	87
30100.W0620	35	20	50	20	11	M 8	330