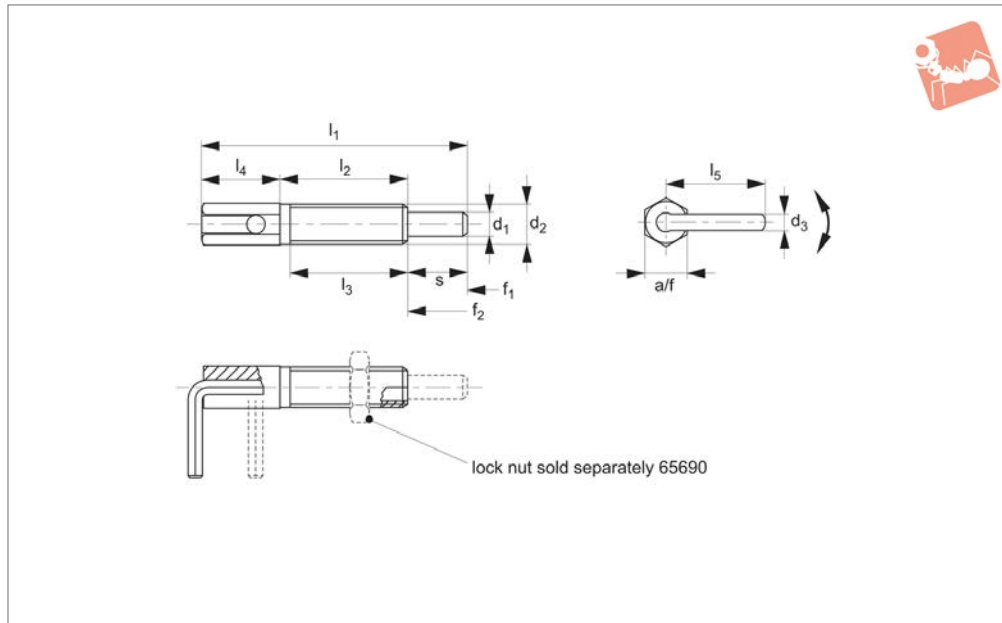




# Index Plungers - Lever Grip locking - coarse thread

# Index Plunger & Pins



## 32555

INDEX PLUNGER & PINS

### Material

Body: free cutting steel, zinc plated.  
Pin: steel, galvanised.  
Lever: steel, galvanised.

### Technical Notes

Pull back and turn lever 180° to retract pin.

To enable pin to be held in retracted position, secure lever in notched catch on plunger body.  
For applications where high precision is not required.

### Coarse thread.

Temperature resistance up to 250°C

**Lock nuts sold separately.** See product 65690.

### Tips

Spring loads\* = statistical average.

Order No.	Type	d <sub>1</sub>	d <sub>2</sub>	d <sub>3</sub>	l <sub>1</sub>	l <sub>2</sub>	l <sub>3</sub>	l <sub>4</sub>	l <sub>5</sub>	s	A/F	Spring load F <sub>1</sub> N ≈	Spring load F <sub>2</sub> N ≈	Tightening torque Nm max.	Weight g
<b>32555.W0105</b>	Locking	4	M 6x1,00	2,3	41,5	20,0	17,0	12,0	15,5	9,5	6	3,0	10,0	1,6	6
<b>32555.W0110</b>	Locking	5	M 8x1,25	3,0	54,0	27,0	24,0	15,0	19,2	12,0	8	3,5	13,5	4,5	14
<b>32555.W0115</b>	Locking	6	M10x1,50	3,5	65,0	33,5	30,0	17,5	22,9	14,0	10	4,0	16,0	10,0	26
<b>32555.W0120</b>	Locking	8	M12x1,75	4,7	73,0	31,8	28,0	22,2	31,2	19,0	12	4,0	22,0	13,0	55
<b>32555.W0125</b>	Locking	10	M16x2,00	4,7	102,5	50,5	44,5	27,0	32,7	25,0	16	4,0	23,0	42,0	103



## A Wide Selection of Solutions

### Applications

- Locating and positioning.
- Indexing.
- Securing.
- Positive locking.
- Rapid adjustment of all kinds of tables, platforms and fixtures.
- Machine and fixture design.
- OEM products.
- Sports equipment.
- Medical aides (wheelchairs etc.).
- Aerospace.
- Machine cabinets.

### Materials



Steel with plastic grip



Stainless with plastic grip



Stainless body and grip

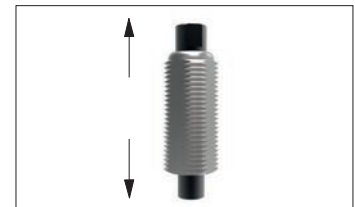
### Locking or Non Locking



Locking (park)



Non locking (spring back)



Push pull

### Handling and Actuation Methods



Standard grip



Lever grip



T-handle



Pull ring



Threaded for bespoke handle

### Mounting Options



Fine threaded (standard)



Coarse thread



Flange mount



Thin wall mount



Weldable

### Additional Technical Notes

- Unless otherwise stated, grips on index plungers are not removable.
- Many of the pins on index plungers are toleranced to either the pin or the hole. Please refer to the specific product table.
- Index plungers are not recommended for shear load applications.

	Pin Tol.	Hole Tol.
①	$h_9$	+0,03 +0,08
②	-0,02 -0,04	$H_7$

### Spring Loads

- s** Stroke, or movement of plunger's pin.
- f<sub>1</sub>** The force required in Newtons (N) to overcome the static strength of the spring and achieve initial movement of the plunger's pin.
- f<sub>2</sub>** The force required in Newtons (N) to fully compress the spring until the pin is fully depressed against the plunger's body.

