

32710

INDEX PLUNGER & PINS

Material

Free cutting steel type-

Body: free cutting steel, blackened.

Pin: hardened steel.

Grip: thermoplastic PA6, black.

Stainless steel type -

Body: stainless steel 1.4305 (AISI 303).

Pin: stainless steel 1.4305 (AISI 303), nickel plated.

Grip: thermoplastic PA6, black.

Technical Notes

„Locking“ type- enable pin to be held in retracted/non-projecting position; pull back grip, turn 90° to engage ‚locking‘ on a notched catch.

Thread recess on body allows full engagement of thread length. Hexagon collar improves leverage for secure installation. Temperature resistance from -30° to +80°C.

Distance collars no. 32750 can be used to adapt screw length.

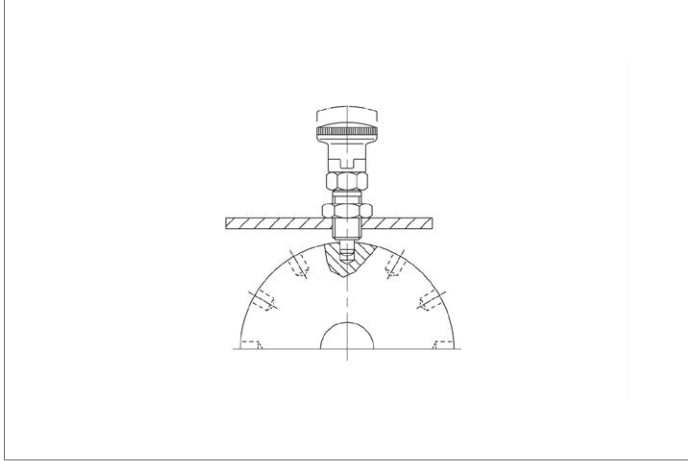
Lock nuts sold separately. See Products 65690 and 65692

Tips

Grip non-removable.

Spring loads * = statistical average.

Order No.	Type	Material	d ₁ -0.02 -0.04	d ₂	d ₃	l ₁ ≈	l ₂ min.	l ₃	l ₄	l ₅ min.	A/F	Spring load F ₁ N ≈	Spring load F ₂ N ≈	Weight g
32710.W0205	Locking	Steel	5	M10x1,0	21	51.0	5	17	5	15	12	6.0	14	22
32710.W0206	Locking	Steel	6	M12x1,5	25	61.0	6	20	6	17	14	5.5	13	36
32710.W0208	Locking	Steel	8	M16x1,5	31	75.5	8	26	8	23	19	1.5	28	79
32710.W0210	Locking	Steel	10	M20x1,5	31	91.0	10	33	10	30	22	28.0	54	134
32710.W0605	Locking	Stainless	5	M10x1,0	21	51.0	5	17	5	15	12	6.0	14	22
32710.W0606	Locking	Stainless	6	M12x1,5	25	61.0	6	20	6	17	14	5.5	13	36
32710.W0608	Locking	Stainless	8	M16x1,5	31	75.5	8	26	8	23	19	1.5	28	79
32710.W0610	Locking	Stainless	10	M20x1,5	31	91.0	10	33	10	30	22	28.0	54	134





A Wide Selection of Solutions

- Locating and positioning.
- Indexing.
- Securing.
- Positive locking.
- Rapid adjustment of all kinds of tables, platforms and fixtures.
- Machine and fixture design.
- OEM products.
- Sports equipment.
- Medical aides (wheelchairs etc.).
- Aerospace.
- Machine cabinets.

Applications

Materials

Locking or Non Locking

Handling and Actuation Methods

Mounting Options

Additional Technical Notes

Spring Loads



Steel with plastic grip



Stainless with plastic grip



Stainless body and grip



Locking (park)



Non locking (spring back)



Push pull



Standard grip



Lever grip



T-handle



Pull ring



Threaded for bespoke handle



Fine threaded (standard)



Coarse thread



Flange mount



Thin wall mount



Weldable

- Unless otherwise stated, grips on index plungers are not removable.
- Many of the pins on index plungers are toleranced to either the pin or the hole. Please refer to the specific product table.
- Index plungers are not recommended for shear load applications.

	Pin Tol.	Hole Tol.
①	h_9	+0,03 +0,08
②	-0,02 -0,04	H_7

s Stroke, or movement of plunger's pin.

f₁ The force required in Newtons (N) to overcome the static strength of the spring and achieve initial movement of the plunger's pin.

f₂ The force required in Newtons (N) to fully compress the spring until the pin is fully depressed against the plunger's body.

