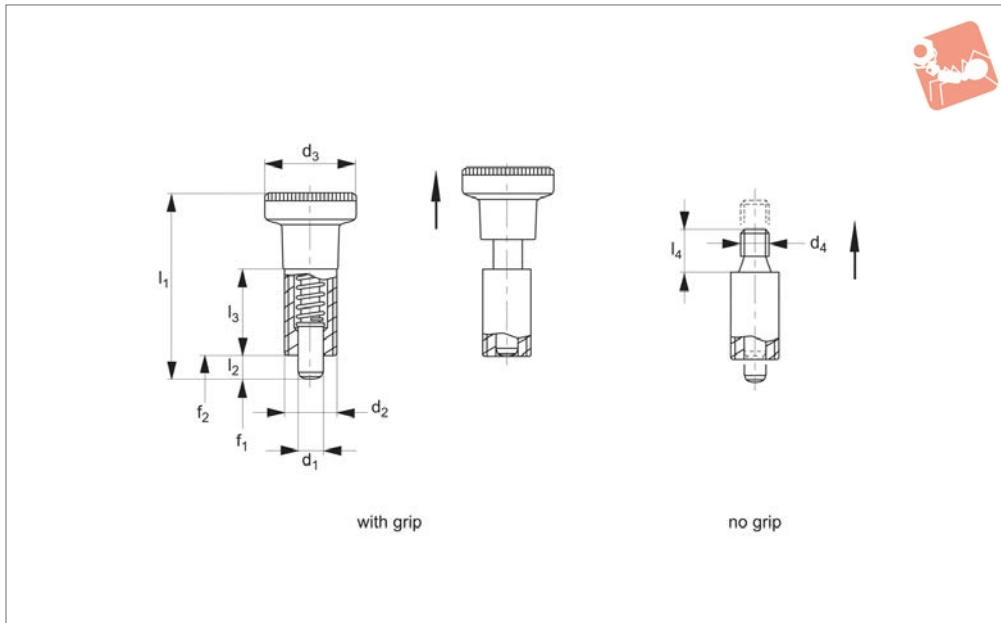




Index Plunger - Pull Grip

weldable - non-locking

Index Plunger & Pins



32720

INDEX PLUNGER & PINS

Material

Body: free cutting steel, blackened, weldable.
Pin: hardened steel.
Grip: plastic (PA 6), black, non-removable.

Technical Notes

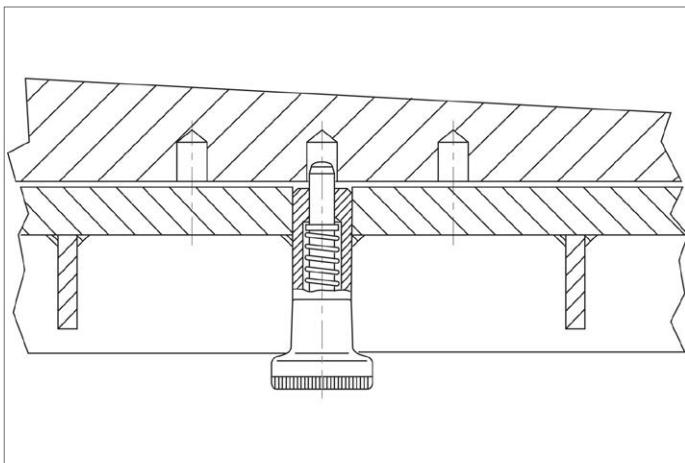
„Non Locking“ type- pin simply springs

back when pull ring released.
Designed specifically for installation via welding or use of glues. Plungers without grip enable your own adaptation with actuation grip/lever to your own design. Without grip temperature resistance up to 250°C .

Tips

Grip non-removable.
Spring loads * = statistical average.

Order No.	Type	d_1 -0.02 -0.04	l_1 ≈	d_2 tol. h9	d_3	d_4	l_2 min.	l_3	l_4	Spring load F_1 N ≈	Spring load F_2 N ≈	Weight g
32720.W0805	With Grip	5	45.0	12	21		5	22		7.0	16	25
32720.W0806	With Grip	6	54,5	14	25		6	26		6,5	15	40
32720.W0808	With Grip	8	69,0	18	31		8	34		12,0	31	84
32720.W0825	No Grip	5		12		M 5	5	22	6	7,0	16	19
32720.W0826	No Grip	6		14		M 6	6	26	10	6,5	15	32
32720.W0828	No Grip	8		18		M 8	8	34	12	12,0	31	67





A Wide Selection of Solutions

Applications

- Locating and positioning.
- Indexing.
- Securing.
- Positive locking.
- Rapid adjustment of all kinds of tables, platforms and fixtures.
- Machine and fixture design.
- OEM products.
- Sports equipment.
- Medical aides (wheelchairs etc.).
- Aerospace.
- Machine cabinets.

Materials



Steel with plastic grip



Stainless with plastic grip



Stainless body and grip

Locking or Non Locking



Locking (park)



Non locking (spring back)



Push pull

Handling and Actuation Methods



Standard grip



Lever grip



T-handle



Pull ring



Threaded for bespoke handle

Mounting Options



Fine threaded (standard)



Coarse thread



Flange mount



Thin wall mount



Weldable

Additional Technical Notes

- Unless otherwise stated, grips on index plungers are not removable.
- Many of the pins on index plungers are toleranced to either the pin or the hole. Please refer to the specific product table.
- Index plungers are not recommended for shear load applications.

	Pin Tol.	Hole Tol.
①	h_9	+0,03 +0,08
②	-0,02 -0,04	H_7

Spring Loads

- s** Stroke, or movement of plunger's pin.
- f₁** The force required in Newtons (N) to overcome the static strength of the spring and achieve initial movement of the plunger's pin.
- f₂** The force required in Newtons (N) to fully compress the spring until the pin is fully depressed against the plunger's body.

