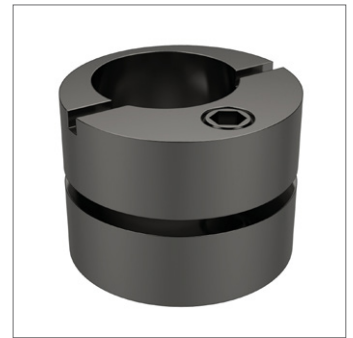
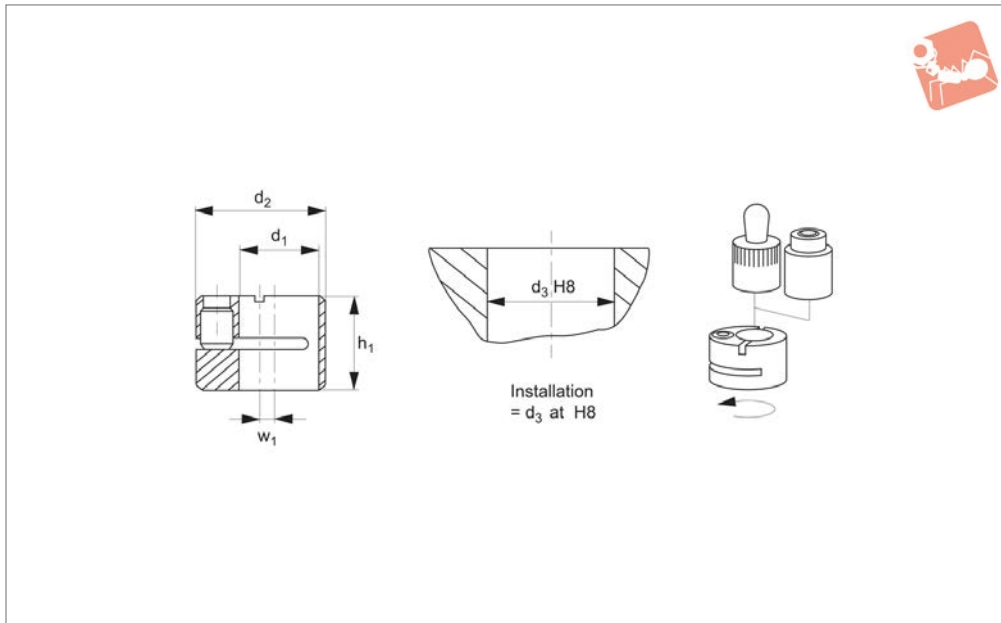




Eccentric Bushings Mounting

smooth - for lateral plungers

Spring Plunger & Detent Pins



32900

SPRING PLUNGER & DETENT PINS

Material

Steel, blackend.

side-thrust pins nos. 32810, 32820 and side-thrust roller bearing no. 32880 when workpieces have large tolerances.

Technical Notes

The eccentric bushings are used to position

| Order No. | d ₁ tol. H8 | d ₂ tol. h9 | d ₃ tol. H8 | w ₁ | h ₁ | Weight g |
|-------------|---------------------------|---------------------------|---------------------------|----------------|----------------|-------------|
| 32900.W0001 | 6 | 12 | 12 | 2 | 9.9 | 6 |
| 32900.W0003 | 10 | 16 | 16 | 2 | 11.9 | 10 |
| 32900.W0004 | 12 | 18 | 18 | 2 | 13.9 | 13 |
| 32900.W0005 | 16 | 25 | 25 | 3 | 17.9 | 35 |

