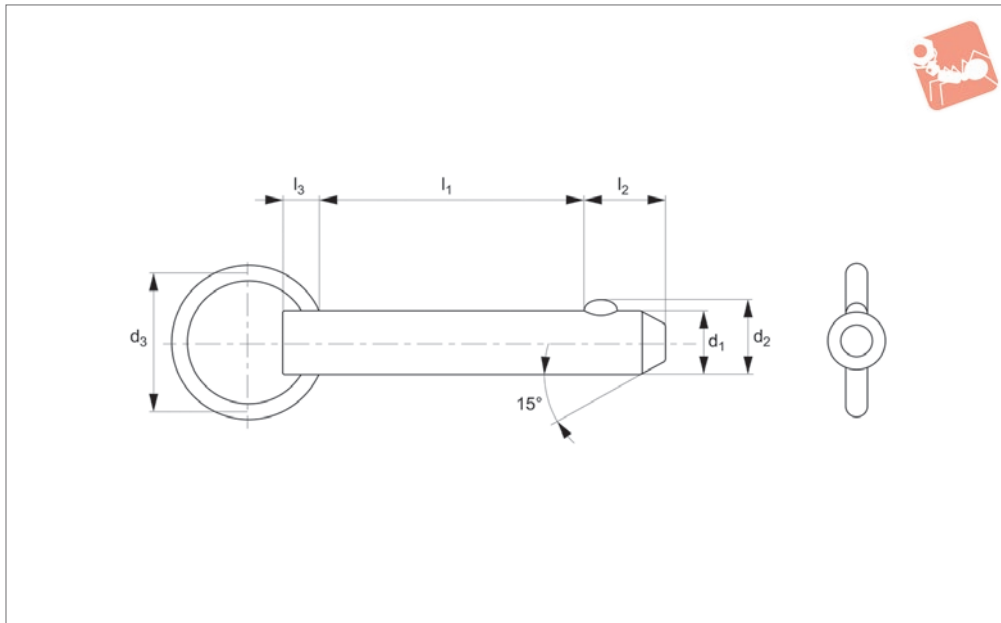


# Detent Pin Stainless Steel

# Ball Lock Pins & Quick Release



## 33012.1

BALL LOCK PINS & QUICK RELEASE PINS

### Material

Shaft: Stainless steel, AISI 303.

Ball & Spring: Stainless steel, AISI 316.

### Technical Notes

Detent pins are very economical for use in commercial and military equipment.

The solid body with direct spring loaded ball ensures reliable operation.

For locking telescopic tubing, securing bracket assemblies, as anchor clevis fittings, hinge pins etc where frequent removal is necessary.

Hole sizes - commercial drills provide clearance for our standard pins.

Inch dimensions in brackets ( ).

### Tips

Also available on request in A4 (AISI 316) stainless steel, subject to min. quantity.

Order No.	d <sub>1</sub> +0.00 -0.08	l <sub>1</sub> grip +1.5 -0.0	d <sub>2</sub>	d <sub>3</sub>	l <sub>2</sub>	l <sub>3</sub>	Pull out strength kg	Single shear strength kN min.
33012.W1803	4,76 (3/16")	7,62 (0,3")	5.18	25.4	5.08	4.74	1,9 - 2,3	12.2
33012.W1805	4,76 (3/16")	12,7 (0,5")	5.18	25.4	5.08	4.74	1,9 - 2,3	12.2
33012.W1810	4,76 (3/16")	25,4 (1")	5.18	25.4	5.08	4.74	1,9 - 2,3	12.2
33012.W1815	4,76 (3/16")	38,1 (1,5")	5.18	25.4	5.08	4.74	1,9 - 2,3	12.2
33012.W1820	4,76 (3/16")	50,8 (2")	5.18	25.4	5.08	4.74	1,9 - 2,3	12.2
33012.W1825	4,76 (3/16")	63,5 (2,5")	5.18	25.4	5.08	4.74	1,9 - 2,3	12.2
33012.W1830	4,76 (3/16")	76,2 (3")	5.18	25.4	5.08	4.74	1,9 - 2,3	12.2
33012.W1835	4,76 (3/16")	88,9 (3,5")	5.18	25.4	5.08	4.74	1,9 - 2,3	12.2
33012.W1840	4,76 (3/16")	101,6 (4")	5.18	25.4	5.08	4.74	1,9 - 2,3	12.2
33012.W2505	6,35 (1/4")	12,7 (0,5")	7.26	25.4	7.92	5.58	2,27 - 2,73	21.7
33012.W2510	6,35 (1/4")	25,4 (1")	7.26	25.4	7.92	5.58	2,27 - 2,73	21.7
33012.W2515	6,35 (1/4")	38,1 (1,5")	7.26	25.4	7.92	5.58	2,27 - 2,73	21.7
33012.W2520	6,35 (1/4")	50,8 (2")	7.26	25.4	7.92	5.58	2,27 - 2,73	21.7
33012.W2525	6,35 (1/4")	63,5 (2,5")	7.26	25.4	7.92	5.58	2,27 - 2,73	21.7
33012.W2530	6,35 (1/4")	76,2 (3")	7.26	25.4	7.92	5.58	2,27 - 2,73	21.7
33012.W2535	6,35 (1/4")	88,9 (3,5")	7.26	25.4	7.92	5.58	2,27 - 2,73	21.7
33012.W2540	6,35 (1/4")	101,6 (4")	7.26	25.4	7.92	5.58	2,27 - 2,73	21.7
33012.W3105	7,93 (5/16")	12,7 (0,5")	9.09	25.4	9.52	6.35	2,27 - 2,73	33.8
33012.W3110	7,93 (5/16")	25,4 (1")	9.09	25.4	9.52	6.35	2,27 - 2,73	33.8
33012.W3115	7,93 (5/16")	38,1 (1,5")	9.09	25.4	9.52	6.35	2,27 - 2,73	33.8
33012.W3120	7,93 (5/16")	50,8 (2")	9.09	25.4	9.52	6.35	2,27 - 2,73	33.8
33012.W3125	7,93 (5/16")	63,5 (2,5")	9.09	25.4	9.52	6.35	2,27 - 2,73	33.8
33012.W3130	7,93 (5/16")	76,2 (3")	9.09	25.4	9.52	6.35	2,27 - 2,73	33.8
33012.W3135	7,93 (5/16")	88,9 (3,5")	9.09	25.4	9.52	6.35	2,27 - 2,73	33.8
33012.W3140	7,93 (5/16")	101,6 (4")	9.09	25.4	9.52	6.35	2,27 - 2,73	33.8
33012.W3145	7,93 (5/16")	114,3 (4,5")	9.09	25.4	9.52	6.35	2,27 - 2,73	33.8
33012.W3150	7,93 (5/16")	127,0 (5")	9.09	25.4	9.52	6.35	2,27 - 2,73	33.8
33012.W3705	9,52 (3/8")	12,7 (0,5")	10.8	25.4	12.7	6.35	3,63 - 4,54	49.1
33012.W3710	9,52 (3/8")	25,4 (1")	10.8	25.4	12.7	6.35	3,63 - 4,54	49.1
33012.W3715	9,52 (3/8")	38,1 (1,5")	10.8	25.4	12.7	6.35	3,63 - 4,54	49.1



Order No.	$d_1$ +0.00 -0.08	$l_1$ grip +1.5 -0.0	$d_2$	$d_3$	$l_2$	$l_3$	Pull out strength kg	Single shear strength kN min.
33012.W3720	9,52 (3/8")	50,8 (2")	10.8	25.4	12.7	6.35	3,63 - 4,54	49.1
33012.W3725	9,52 (3/8")	63,5 (2,5")	10.8	25.4	12.7	6.35	3,63 - 4,54	49.1
33012.W3730	9,52 (3/8")	76,2 (3")	10.8	25.4	12.7	6.35	3,63 - 4,54	49.1
33012.W3735	9,52 (3/8")	88,9 (3,5")	10.8	25.4	12.7	6.35	3,63 - 4,54	49.1
33012.W3740	9,52 (3/8")	101,6 (4")	10.8	25.4	12.7	6.35	3,63 - 4,54	49.1
33012.W3745	9,52 (3/8")	114,3 (4,5")	10.8	25.4	12.7	6.35	3,63 - 4,54	49.1
33012.W3750	9,52 (3/8")	127,0 (5")	10.8	25.4	12.7	6.35	3,63 - 4,54	49.1
33012.W3755	9,52 (3/8")	139,7 (5,5")	10.8	25.4	12.7	6.35	3,63 - 4,54	49.1
33012.W3760	9,52 (3/8")	152,4 (6")	10.8	25.4	12.7	6.35	3,63 - 4,54	49.1
33012.W4305	11,1 (7/16")	12,7 (0,5")	12.5	25.4	14.2	6.35	4,09 - 5,45	66.5
33012.W4310	11,1 (7/16")	25,4 (1")	12.5	25.4	14.2	6.35	4,09 - 5,45	66.5
33012.W4315	11,1 (7/16")	38,1 (1,5")	12.5	25.4	14.2	6.35	4,09 - 5,45	66.5
33012.W4320	11,1 (7/16")	50,8 (2")	12.5	25.4	14.2	6.35	4,09 - 5,45	66.5
33012.W4325	11,1 (7/16")	63,5 (2,5")	12.5	25.4	14.2	6.35	4,09 - 5,45	66.5
33012.W4330	11,1 (7/16")	76,2 (3")	12.5	25.4	14.2	6.35	4,09 - 5,45	66.5
33012.W4335	11,1 (7/16")	88,9 (3,5")	12.5	25.4	14.2	6.35	4,09 - 5,45	66.5
33012.W4340	11,1 (7/16")	101,6 (4")	12.5	25.4	14.2	6.35	4,09 - 5,45	66.5
33012.W4345	11,1 (7/16")	114,3 (4,5")	12.5	25.4	14.2	6.35	4,09 - 5,45	66.5
33012.W4350	11,1 (7/16")	127,0 (5")	12.5	25.4	14.2	6.35	4,09 - 5,45	66.5
33012.W4355	11,1 (7/16")	139,7 (5,5")	12.5	25.4	14.2	6.35	4,09 - 5,45	66.5
33012.W4360	11,1 (7/16")	152,4 (6")	12.5	25.4	14.2	6.35	4,09 - 5,45	66.5
33012.W5005	12,7 (1/2")	12,7 (0,5")	14.4	31.7	15.8	7.92	4,54 - 5,45	87.1
33012.W5010	12,7 (1/2")	25,4 (1")	14.4	31.7	15.8	7.92	4,54 - 5,45	87.1
33012.W5015	12,7 (1/2")	38,1 (1,5")	14.4	31.7	15.8	7.92	4,54 - 5,45	87.1
33012.W5020	12,7 (1/2")	50,8 (2")	14.4	31.7	15.8	7.92	4,54 - 5,45	87.1
33012.W5025	12,7 (1/2")	63,5 (2,5")	14.4	31.7	15.8	7.92	4,54 - 5,45	87.1
33012.W5030	12,7 (1/2")	76,2 (3")	14.4	31.7	15.8	7.92	4,54 - 5,45	87.1
33012.W5035	12,7 (1/2")	88,9 (3,5")	14.4	31.7	15.8	7.92	4,54 - 5,45	87.1
33012.W5040	12,7 (1/2")	101,6 (4")	14.4	31.7	15.8	7.92	4,54 - 5,45	87.1
33012.W5045	12,7 (1/2")	114,3 (4,5")	14.4	31.7	15.8	7.92	4,54 - 5,45	87.1
33012.W5050	12,7 (1/2")	127,0 (5")	14.4	31.7	15.8	7.92	4,54 - 5,45	87.1
33012.W5055	12,7 (1/2")	139,7 (5,5")	14.4	31.7	15.8	7.92	4,54 - 5,45	87.1
33012.W5060	12,7 (1/2")	152,4 (6")	14.4	31.7	15.8	7.92	4,54 - 5,45	87.1
33012.W5065	12,7 (1/2")	165,1 (6,5")	14.4	31.7	15.8	7.92	4,54 - 5,45	87.1
33012.W5070	12,7 (1/2")	177,8 (7")	14.4	31.7	15.8	7.92	4,54 - 5,45	87.1