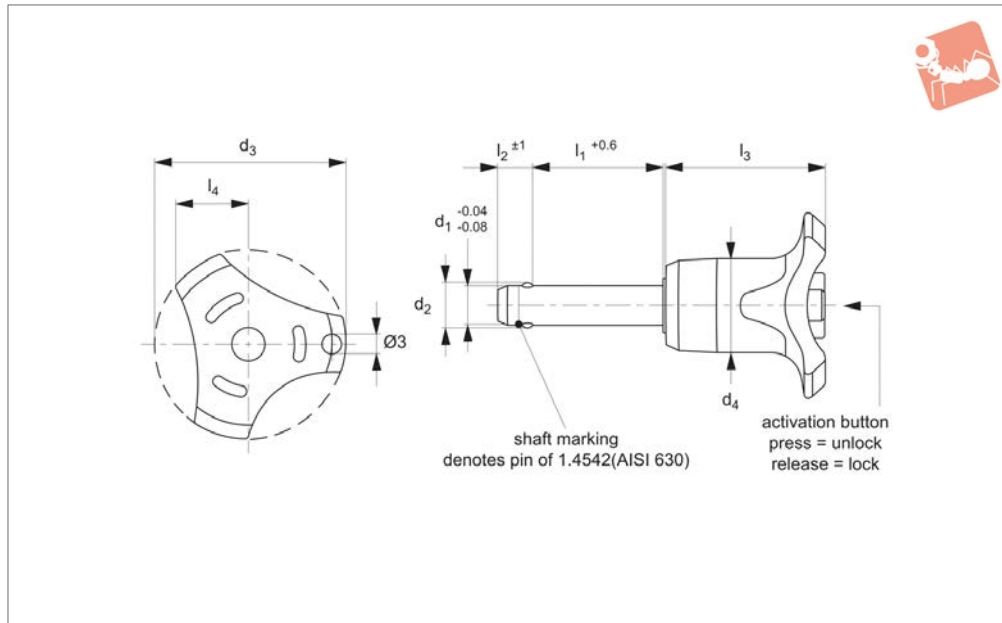




# Ball Lock Pins - Single Acting - Blue

self-locking - stainless steel 1.4542 (AISI 630)

# Ball Lock Pins & Quick Release



**33060.BU**

BALL LOCK PINS & QUICK RELEASE PINS

### Material

Pin: stainless steel 1,4542 (AISI 630), precipitation hardened, blast finish. (marked at end of shaft to denote 1.4542 material).

Ball: stainless steel 1.3541

Spring: stainless steel.

Handle: thermoplastic PA 6.

Available colours: grey/orange, grey/blue, grey/grey, black/black.

### Technical Notes

Pressing = unlocking.

Releasing = locking.

Temperature resistance -30°C to +80°C.

For quick fastening and locking of frequently repeated connections.

### Tips

For lanyards & retaining cables see part no.33250. Easy install locating bushes

available see part no.33248.

### Important Notes

**Extreme load capacity due to high material grade.**

\*Shearing resistance similar to DIN 50141.

Also available in stainless grade 1.4305

(AISI 303), see part no.33080.

Order No.	d <sub>1</sub>	l <sub>1</sub>	d <sub>2</sub>	d <sub>3</sub>	d <sub>4</sub>	l <sub>2</sub>	l <sub>3</sub>	l <sub>4</sub>	Loc'n hole tol. H11	Shearing resistance, double kN min.	Weight g
33060.W0432	5	10	5.5	33.2	14.5	6.0	26.7	10.8	5	24	15
33060.W0433	5	15	5.5	33.2	14.5	6.0	26.7	10.8	5	24	15
33060.W0434	5	20	5.5	33.2	14.5	6.0	26.7	10.8	5	24	16
33060.W0435	5	25	5.5	33.2	14.5	6.0	26.7	10.8	5	24	17
33060.W0436	5	30	5.5	33.2	14.5	6.0	26.7	10.8	5	24	18
33060.W0437	6	60	7.0	33.2	14.5	7.0	26.7	10.8	6	21	26
33060.W0438	6	70	7.0	33.2	14.5	7.0	26.7	10.8	6	21	28
33060.W0439	6	80	7.0	33.2	14.5	7.0	26.7	10.8	6	21	30
33060.W0425	5	35	5.5	33.2	14.5	6.0	26.7	10.8	5	14	19
33060.W0426	5	40	5.5	33.2	14.5	6.0	26.7	10.8	5	14	20
33060.W0427	5	45	5.5	33.2	14.5	6.0	26.7	10.8	5	14	21
33060.W0428	5	50	5.5	33.2	14.5	6.0	26.7	10.8	5	14	23
33060.W0429	5	60	5.5	33.2	14.5	6.0	26.7	10.8	5	14	24
33060.W0430	5	70	5.5	33.2	14.5	6.0	26.7	10.8	5	14	18
33060.W0431	5	80	5.5	33.2	14.5	6.0	26.7	10.8	5	14	19
33060.W0441	8	100	9.6	39.2	18.4	8.2	33.3	10.813.4	8	38	54
33060.W0442	6	10	7.0	33.2	14.5	7.0	26.7	10.8	6	35	16
33060.W0443	6	15	7.0	33.2	14.5	7.0	26.7	10.8	6	35	17
33060.W0444	6	20	7.0	33.2	14.5	7.0	26.7	10.8	6	35	18
33060.W0445	6	25	7.0	33.2	14.5	7.0	26.7	10.8	6	35	19
33060.W0446	6	30	7.0	33.2	14.5	7.0	26.7	10.8	6	35	20
33060.W0447	6	35	7.0	33.2	14.5	7.0	26.7	10.8	6	35	21
33060.W0448	6	40	7.0	33.2	14.5	7.0	26.7	10.8	6	35	22
33060.W0449	6	45	7.0	33.2	14.5	7.0	26.7	10.8	6	35	23
33060.W0450	6	50	7.0	33.2	14.5	7.0	26.7	10.8	6	35	24
33060.W0451	8	90	9.6	39.2	18.4	8.2	33.3	13.4	8	38	36

# Ball Lock Pins & Quick Release

# Ball Lock Pins - Single Acting - Blue

self-locking - stainless steel 1.4542 (AISI 630)



BALL LOCK PINS & QUICK RELEASE PINS

Order No.	d <sub>1</sub>	l <sub>1</sub>	d <sub>2</sub>	d <sub>3</sub>	d <sub>4</sub>	l <sub>2</sub>	l <sub>3</sub>	l <sub>4</sub>	Loc'n hole tol. H11	Shearing resistance, double kN min.	Weight g
33060.W0452	8	10	9.6	39.2	18.4	8.2	33.3	13.4	8	38	24
33060.W0453	8	15	9.6	39.2	18.4	8.2	33.3	13.4	8	38	58
33060.W0454	8	20	9.6	39.2	19.3	8.2	33.3	13.4	8	63	40
33060.W0455	8	25	9.6	39.2	19.3	8.2	33.3	13.4	8	63	42
33060.W0456	8	30	9.6	39.2	19.3	8.2	33.3	13.4	8	63	44
33060.W0457	8	35	9.6	39.2	19.3	8.2	33.3	13.4	8	63	46
33060.W0458	8	40	9.6	39.2	19.3	8.2	33.3	13.4	8	63	47
33060.W0459	8	45	9.6	39.2	19.3	8.2	33.3	13.4	8	63	49
33060.W0460	8	50	9.6	39.2	18.4	8.2	33.3	13.4	8	63	51
33060.W0461	8	60	9.6	39.2	18.4	8.2	33.3	13.4	8	38	62
33060.W0462	8	70	9.6	39.2	18.4	8.2	33.3	13.4	8	38	65
33060.W0463	8	80	9.6	39.2	18.4	8.2	33.3	13.4	8	38	69
33060.W0464	10	20	12.0	39.2	19.3	9.6	33.3	13.4	10	100	47
33060.W0465	10	25	12.0	39.2	19.3	9.6	33.3	13.4	10	100	49
33060.W0466	10	30	12.0	39.2	19.3	9.6	33.3	13.4	10	100	53
33060.W0467	10	35	12.0	39.2	19.3	9.6	33.3	13.4	10	100	55
33060.W0468	10	40	12.0	39.2	19.3	9.6	33.3	13.4	10	100	58
33060.W0469	10	45	12.0	39.2	19.3	9.6	33.3	13.4	10	100	61
33060.W0470	10	50	12.0	39.2	19.3	9.6	33.3	13.4	10	100	64
33060.W0471	10	15	12.0	39.2	18.4	9.6	33.3	13.4	10	60	86
33060.W0472	10	60	12.0	39.2	19.3	9.6	33.3	13.4	10	100	70
33060.W0473	10	70	12.0	39.2	18.4	9.6	33.3	13.4	10	60	91
33060.W0474	10	80	12.0	39.2	18.4	9.6	33.3	13.4	10	60	97
33060.W0475	10	90	12.0	39.2	18.4	9.6	33.3	13.4	10	60	103
33060.W0476	10	100	12.0	39.2	18.4	9.6	33.3	13.4	10	60	109
33060.W0477	10	110	12.0	39.2	18.4	9.6	33.3	13.4	10	60	115
33060.W0478	10	120	12.0	39.2	18.4	9.6	33.3	13.4	10	60	53
33060.W0484	12	20	14.5	47.6	25.2	10.6	39.7	16.7	12	87	156
33060.W0485	12	25	14.5	47.6	26.3	10.6	39.7	16.7	12	144	96
33060.W0486	12	30	14.5	47.6	26.3	10.6	39.7	16.7	12	144	100
33060.W0487	12	35	14.5	47.6	26.3	10.6	39.7	16.7	12	144	105
33060.W0488	12	40	14.5	47.6	26.3	10.6	39.7	16.7	12	144	109
33060.W0489	12	45	14.5	47.6	26.3	10.6	39.7	16.7	12	144	113
33060.W0490	12	50	14.5	47.6	26.3	10.6	39.7	16.7	12	144	117
33060.W0492	12	60	14.5	47.6	26.3	10.6	39.7	16.7	12	144	126
33060.W0494	12	70	14.5	47.6	26.3	10.6	39.7	16.7	12	144	134
33060.W0496	12	80	14.5	47.6	26.3	10.6	39.7	16.7	12	144	143
33060.W0497	12	90	14.5	47.6	25.2	10.6	39.7	16.7	12	87	165
33060.W0498	12	100	14.5	47.6	25.2	10.6	39.7	16.7	12	87	173
33060.W0499	12	110	14.5	47.6	25.2	10.6	39.7	16.7	12	87	182
33060.W0500	12	120	14.5	47.6	25.2	10.6	39.7	16.7	12	87	96
33060.W0506	16	30	19.0	47.6	26.3	14.0	39.7	16.7	16	257	132
33060.W0507	16	35	19.0	47.6	26.3	14.0	39.7	16.7	16	257	140
33060.W0508	16	40	19.0	47.6	26.3	14.0	39.7	16.7	16	257	148
33060.W0509	16	45	19.0	47.6	26.3	14.0	39.7	16.7	16	257	155
33060.W0510	16	50	19.0	47.6	26.3	14.0	39.7	16.7	16	257	168
33060.W0512	16	60	19.0	47.6	26.3	14.0	39.7	16.7	16	257	178
33060.W0514	16	70	19.0	47.6	26.3	14.0	39.7	16.7	16	257	194
33060.W0516	16	80	19.0	47.6	26.3	14.0	39.7	16.7	16	257	208
33060.W0517	16	90	19.0	47.6	25.2	14.0	39.7	16.7	16	155	234
33060.W0518	16	100	19.0	47.6	25.2	14.0	39.7	16.7	16	155	251
33060.W0519	16	110	19.0	47.6	25.2	14.0	39.7	16.7	16	155	266
33060.W0520	16	120	19.0	47.6	25.2	14.0	39.7	16.7	16	155	281
33060.W0521	16	130	19.0	47.6	25.2	14.0	39.7	16.7	16	155	297
33060.W0522	16	140	19.0	47.6	25.2	14.0	39.7	16.7	16	155	313
33060.W0523	16	150	19.0	47.6	25.2	14.0	39.7	16.7	16	155	328
33060.W0531	20	50	25.0	57.1	33.8	20.5	50.7	21.5	20	403	329
33060.W0532	20	60	25.0	57.1	35.4	20.5	50.7	21.5	20	403	343
33060.W0533	20	70	25.0	57.1	33.8	20.5	50.7	21.5	20	403	377
33060.W0536	20	80	25.0	57.1	35.4	20.5	50.7	21.5	20	403	392
33060.W0537	20	90	25.0	57.1	33.8	20.5	50.7	21.5	20	403	426
33060.W0540	20	100	25.0	57.1	35.4	20.5	50.7	21.5	20	403	440
33060.W0541	20	110	25.0	57.1	33.8	20.5	50.7	21.5	20	403	474
33060.W0544	20	120	25.0	57.1	33.8	20.5	50.7	21.5	20	403	488
33060.W0545	20	130	25.0	57.1	33.8	20.5	50.7	21.5	20	403	523
33060.W0546	20	140	25.0	57.1	33.8	20.5	50.7	21.5	20	403	546
33060.W0547	20	150	25.0	57.1	33.8	20.5	50.7	21.5	20	403	571



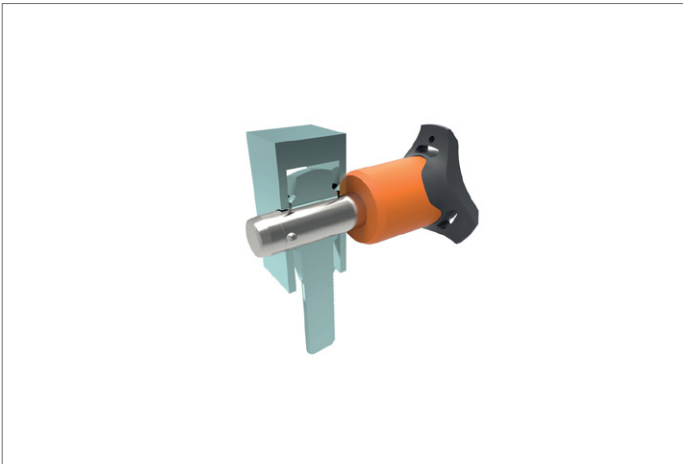
# Ball Lock Pins - Single Acting - Blue

self-locking - stainless steel 1.4542 (AISI 630)

# Ball Lock Pins & Quick Release



Order No.	d <sub>1</sub>	l <sub>1</sub>	d <sub>2</sub>	d <sub>3</sub>	d <sub>4</sub>	l <sub>2</sub>	l <sub>3</sub>	l <sub>4</sub>	Loc'n hole tol. H11	Shearing resistance, double kN min.	Weight g
<b>33060.W0549</b>	25	50	30.8	57.1	33.8	22.0	50.7	21.5	25	631	415
<b>33060.W0550</b>	25	60	30.8	57.1	33.8	22.0	50.7	21.5	25	631	453
<b>33060.W0551</b>	25	70	30.8	57.1	33.8	22.0	50.7	21.5	25	631	490
<b>33060.W0552</b>	25	80	30.8	57.1	33.8	22.0	50.7	21.5	25	631	528
<b>33060.W0553</b>	25	90	30.8	57.1	33.8	22.0	50.7	21.5	25	631	565
<b>33060.W0554</b>	25	100	30.8	57.1	33.8	22.0	50.7	21.5	25	631	603
<b>33060.W0555</b>	25	110	30.8	57.1	33.8	22.0	50.7	21.5	25	631	640
<b>33060.W0556</b>	25	120	30.8	57.1	33.8	22.0	50.7	21.5	25	631	678
<b>33060.W0557</b>	25	130	30.8	57.1	33.8	22.0	50.7	21.5	25	631	715
<b>33060.W0558</b>	25	140	30.8	57.1	33.8	22.0	50.7	21.5	25	631	753
<b>33060.W0559</b>	25	150	30.8	57.1	33.8	22.0	50.7	21.5	25	631	790



BALL LOCK PINS & QUICK RELEASE PINS



**Sound Rigging Systems**

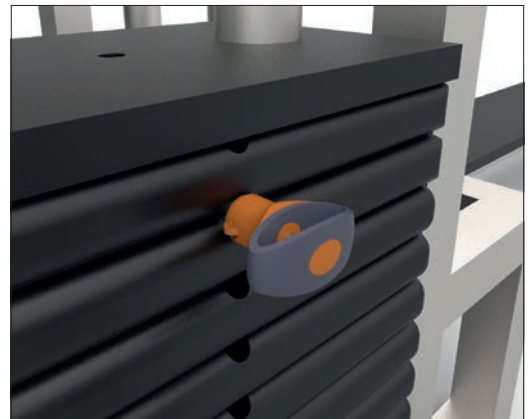
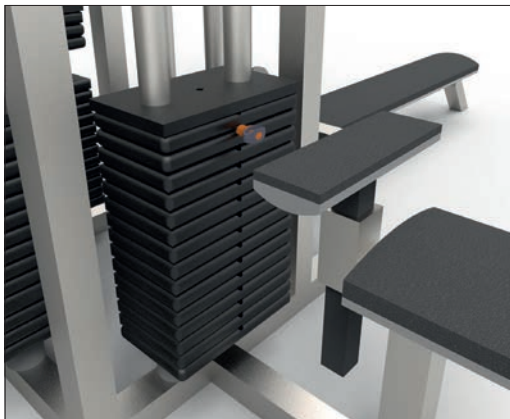
Ball lock pins on a sound rigging system. Offering secure fixing with high shear forces and easy fitting for operators at heights.

In addition full black powder coating of grip and actuation button eliminates glare from other stage lighting.

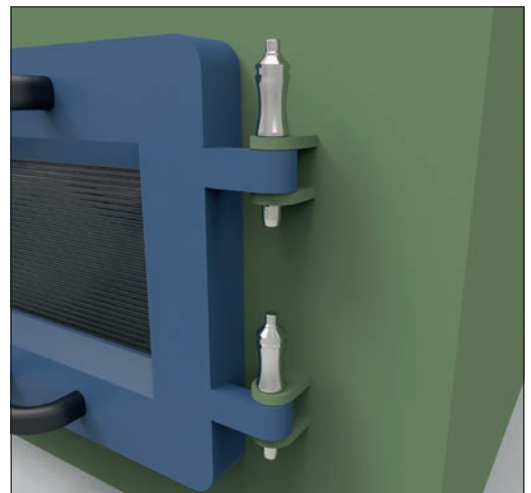
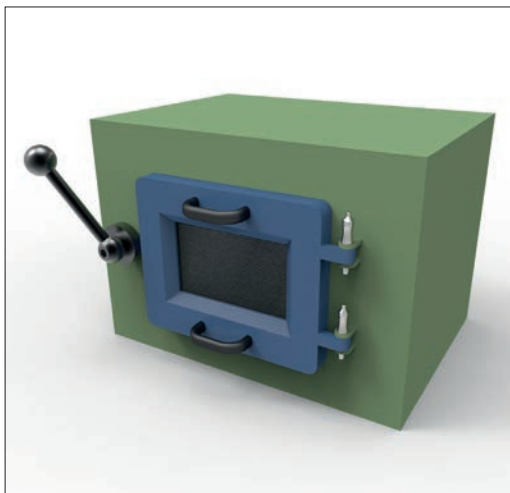


BALL LOCK PINS & QUICK RELEASE PINS

**Gym Equipment**



**Scientific and Medical**





# Wixroyd Ball Lock Pins

features

33060 - 33250

Positioning Elements

BALL LOCK PINS & QUICK RELEASE PINS

1.4305 (AISI 303) - shear force approx. 60% of higher material version 1.4542

1.4542 (AISI 630) - identified by the ridge on the pin

CRES 17-4PH (AMS 5643) aviation standard



## Pin Material



Plastic tri-star    T-handled, metal    L-handled, metal    Mushroom, metal    Single piece metal, contoured

## Handle Style

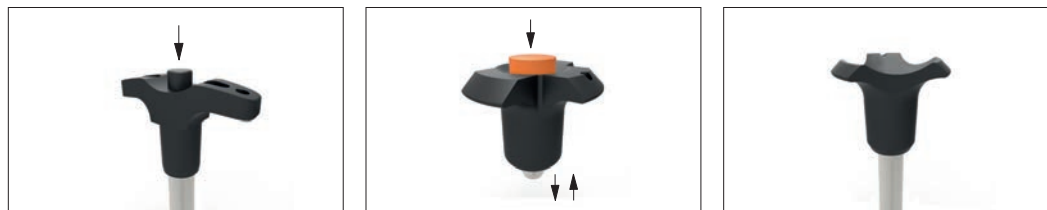


Special plastic self-spring    Adjustable grip length, plastic    Key ring    Safety, metal    Mushroom Type B aviation    Type R aviation



Stainless wire - (coated) - 2 x key ring    Stainless wire - Key ring and fixing loop    Plastic - 2 x cable tie    Steel wire - (coated) - 2 x key ring    Stainless bead chain - 2 x key ring    Locating bushes

## Lanyards and Locating Bushes



Press = unlock  
Release = lock (standard)

Press = unlock and position  
Release = lock and simultaneous clamp

Simple spring loaded balls "pullout pin"

## Actuation



**Important Note: Ball lock pins are not suited to lifting applications!**  
For quick release lifting pins, see part 33400.

Shear force

Lifting force

## Important Note



Variations on our standard designs are possible, please contact our sales team for technical assistance. Quick production on specials can be as little as 3 weeks.

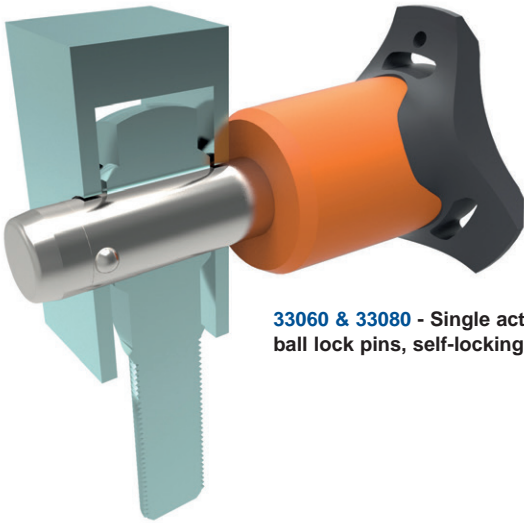
## Special Variations





### Applications

- Positioning.
- Lifting.
- Locking.
- Indexing.
- Joining.



**33060 & 33080** - Single acting ball lock pins, self-locking.



**33194** - Single acting ball lock pins, self locking, simple finish.



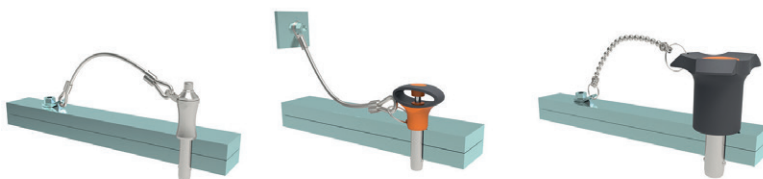
**33140** - Socket pins, non-locking, spring loaded balls.



**33100** - Single acting ball lock pin, self locking.



**33180** - Clamping pins, with span compensation, self-locking.



**33250 & 33270** - Lanyards.



**33220** - Ball lock pins, single acting - L-handle