

**33170**

BALL LOCK PINS & QUICK RELEASE PINS

**Material**

Pin: Stainless Steel 1.4305 (AISI 303)  
 Spring: Stainless Steel  
 Finish: Black or Natural

**Technical Notes**

Temperature range -50°C to +150°C.

For quick fastening and locking of frequently repeated connections; gun slings, tool holders etc, used in combination with sling swivel receivers no.33172.  
 Pressing = Unlocking

Releasing = Locking

Order No.	Finish	Nom. pin dia	$d_1$ +0.05	$w_1$	$d_2$	$d_3$	$d_4$	$l_1$	$l_2$	$l_3$	$l_4$	Load capacity kN max.	Weight g
33170.W0010	Black	9.5	9.5	23	11.1	3.5	14	31.3	16.5	12.5	9	1.2	20
33170.W0020	Black	9.5	9.5	40	11.1	4.5	14	36.6	23.0	12.5	9	2.0	29
33170.W0110	Natural	9.5	9.5	23	11.1	3.5	14	31.3	16.5	12.5	9	1.2	20
33170.W0120	Natural	9.5	9.5	40	11.1	4.5	14	36.6	23.0	12.5	9	2.0	29





**Sound Rigging Systems**

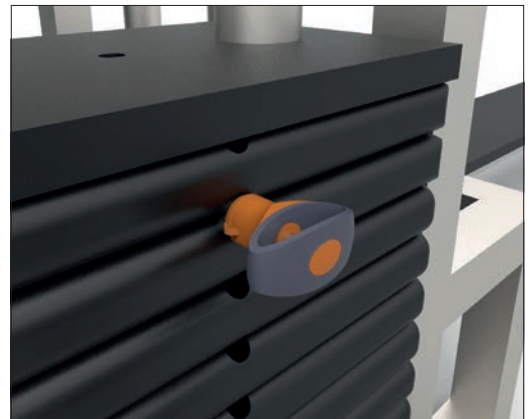
Ball lock pins on a sound rigging system. Offering secure fixing with high shear forces and easy fitting for operators at heights.

In addition full black powder coating of grip and actuation button eliminates glare from other stage lighting.

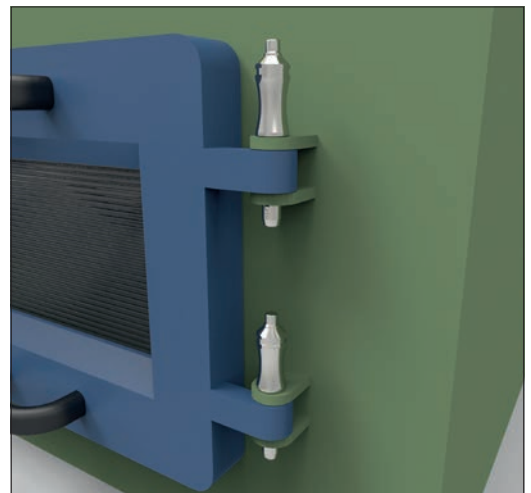
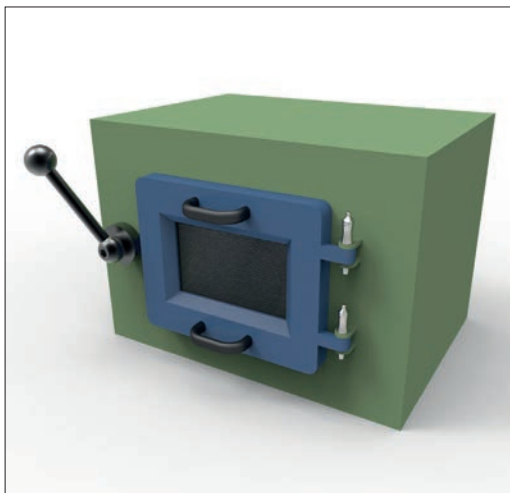


BALL LOCK PINS & QUICK RELEASE PINS

**Gym Equipment**



**Scientific and Medical**





# Wixroyd Ball Lock Pins

features

33060 - 33250

Positioning Elements

BALL LOCK PINS & QUICK RELEASE PINS

1.4305 (AISI 303) - shear force approx. 60% of higher material version 1.4542

1.4542 (AISI 630) - identified by the ridge on the pin

CRES 17-4PH (AMS 5643) aviation standard



## Pin Material



## Handle Style

Plastic tri-star    T-handled, metal    L-handled, metal    Mushroom, metal    Single piece metal, contoured



Special plastic self-spring    Adjustable grip length, plastic    Key ring    Safety, metal    Mushroom Type B aviation    Type R aviation



## Lanyards and Locating Bushes

Stainless wire - (coated) - 2 x key ring    Stainless wire - Key ring and fixing loop    Plastic - 2 x cable tie    Steel wire - (coated) - 2 x key ring    Stainless bead chain - 2 x key ring    Locating bushes



## Actuation

Press = unlock  
Release = lock (standard)

Press = unlock and position  
Release = lock and simultaneous clamp

Simple spring loaded balls "pullout pin"



## Important Note

**Important Note: Ball lock pins are not suited to lifting applications!**

**For quick release lifting pins, see part 33400.**

Shear force

Lifting force



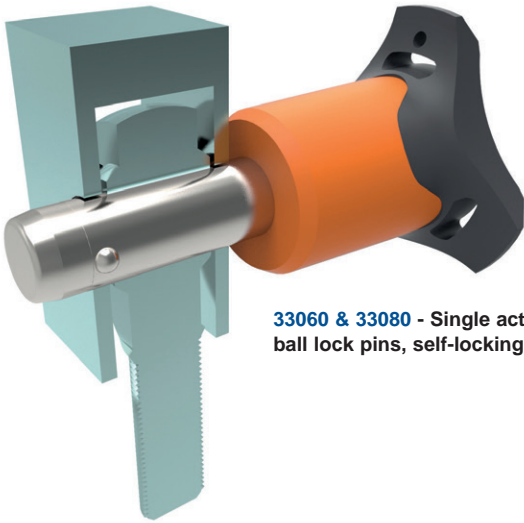
## Special Variations

Variations on our standard designs are possible, please contact our sales team for technical assistance. Quick production on specials can be as little as 3 weeks.



### Applications

- Positioning.
- Lifting.
- Locking.
- Indexing.
- Joining.



**33060 & 33080** - Single acting ball lock pins, self-locking.



**33194** - Single acting ball lock pins, self locking, simple finish.



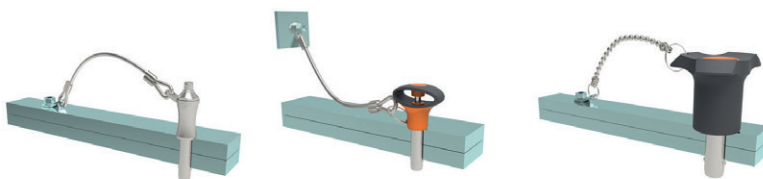
**33140** - Socket pins, non-locking, spring loaded balls.



**33100** - Single acting ball lock pin, self locking.



**33180** - Clamping pins, with span compensation, self-locking.



**33250 & 33270** - Lanyards.



**33220** - Ball lock pins, single acting - L-handle