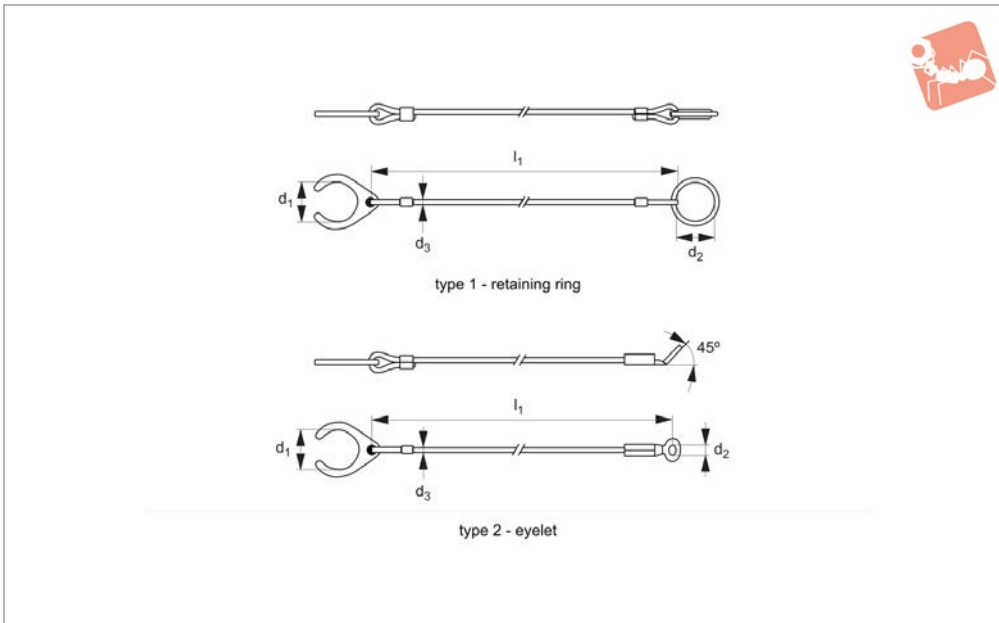




Retaining Cable with holding clip for no. 33331

Ball Lock Pins & Quick Release



33268

BALL LOCK PINS & QUICK RELEASE PINS

Material

Split ring or eyelet: stainless steel.
Holding circlip: thermoplastic PA 6, black.
Wire rope: stainless steel.

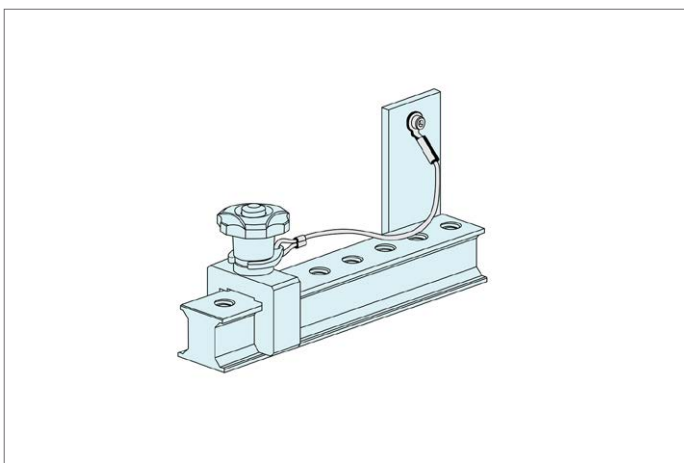
Coating: thermoplastic PA 6, black.

Technical Notes

Retaining cables designed specifically for

use with threaded lock pin no. 33331.
Lanyard prevents accidental loss of pin from application.

Order No.	Type	d ₁	l ₁	d ₂	d ₃ wire coated	To suit lock pin 33331	Weight g
33268.W6001	1	20.3	150	20.3	2	M 8 to M16	6
33268.W6002	1	20.3	200	20.3	2	M 8 to M16	7
33268.W6003	1	20.3	300	20.3	2	M 8 to M16	8
33268.W6011	2	20.3	150	4.8	2	M 8 to M16	6
33268.W6012	2	20.3	200	4.8	2	M 8 to M16	7
33268.W6013	2	20.3	300	4.8	2	M 8 to M16	8





Sound Rigging Systems

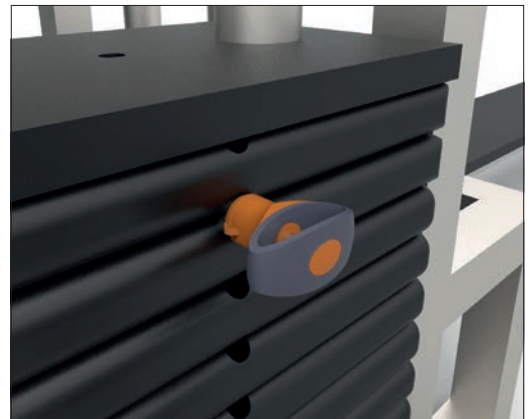
Ball lock pins on a sound rigging system. Offering secure fixing with high shear forces and easy fitting for operators at heights.

In addition full black powder coating of grip and actuation button eliminates glare from other stage lighting.

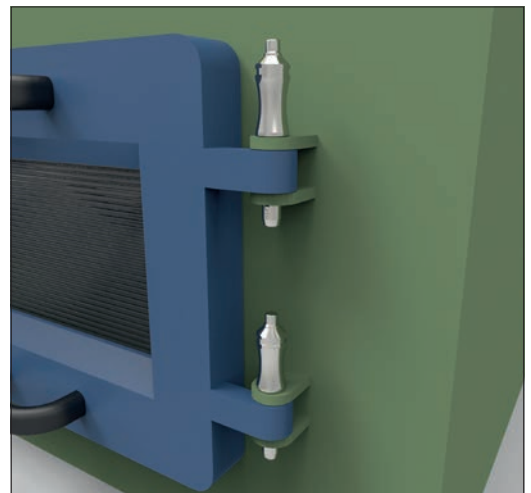
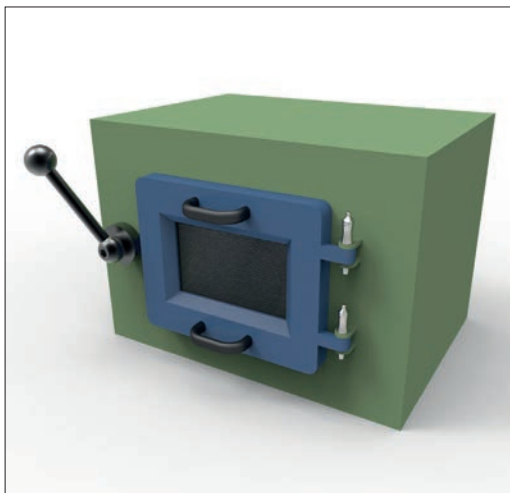


BALL LOCK PINS & QUICK RELEASE PINS

Gym Equipment



Scientific and Medical





Wixroyd Ball Lock Pins

features

33060 - 33250

Positioning Elements

BALL LOCK PINS & QUICK RELEASE PINS

1.4305 (AISI 303) - shear force approx. 60% of higher material version 1.4542

1.4542 (AISI 630) - identified by the ridge on the pin

CRES 17-4PH (AMS 5643) aviation standard



Pin Material



Handle Style

Plastic tri-star T-handled, metal L-handled, metal Mushroom, metal Single piece metal, contoured



Special plastic self-spring Adjustable grip length, plastic Key ring Safety, metal Mushroom Type B aviation Type R aviation



Lanyards and Locating Bushes

Stainless wire - (coated) - 2 x key ring Stainless wire - Key ring and fixing loop Plastic - 2 x cable tie Steel wire - (coated) - 2 x key ring Stainless bead chain - 2 x key ring Locating bushes

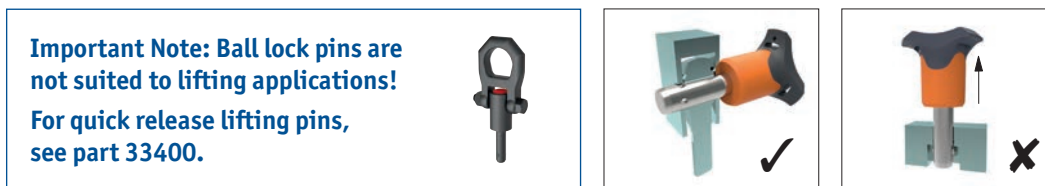


Actuation

Press = unlock
Release = lock (standard)

Press = unlock and position
Release = lock and simultaneous clamp

Simple spring loaded balls "pullout pin"



Important Note

Important Note: Ball lock pins are not suited to lifting applications!

For quick release lifting pins, see part 33400.

Shear force

Lifting force



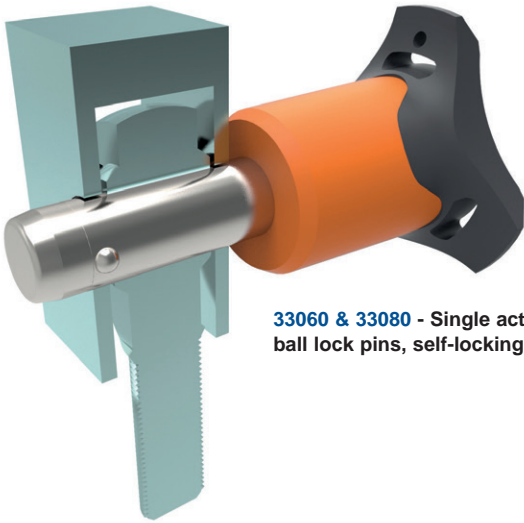
Special Variations

Variations on our standard designs are possible, please contact our sales team for technical assistance. Quick production on specials can be as little as 3 weeks.



Applications

- Positioning.
- Lifting.
- Locking.
- Indexing.
- Joining.



33060 & 33080 - Single acting ball lock pins, self-locking.



33194 - Single acting ball lock pins, self locking, simple finish.



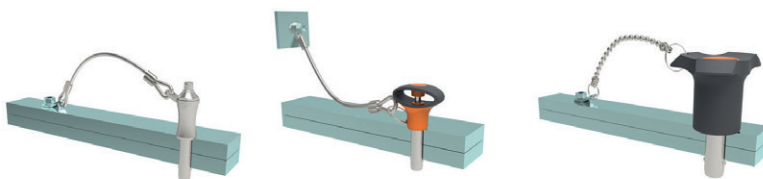
33140 - Socket pins, non-locking, spring loaded balls.



33100 - Single acting ball lock pin, self locking.



33180 - Clamping pins, with span compensation, self-locking.



33250 & 33270 - Lanyards.



33220 - Ball lock pins, single acting - L-handle