

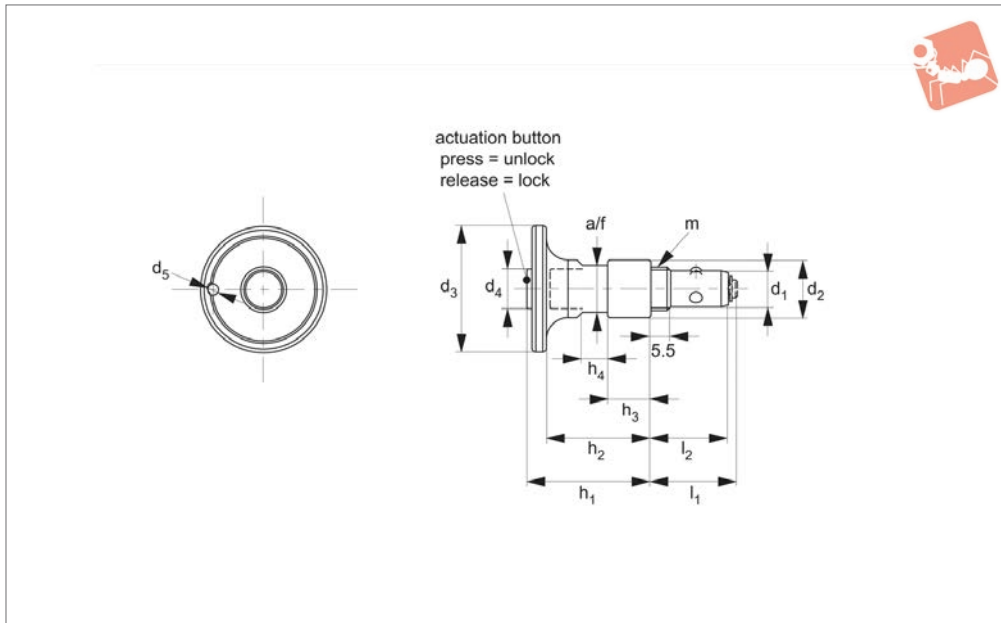


# One-Touch Fastener - Ball Locking

push button lock - recessed button - steel



## One Touch Fasteners



**33910**

ONE TOUCH FASTENERS

### Material

Body & button: steel, nickel plated.  
 Ball: stainless steel.  
 Coil ring: stainless steel.  
 O-Ring: fluororubber.

### Technical Notes

One-touch fasteners are the ideal solution for applications requiring rapid and recurring change over of tooling or set ups. Use in applications as diverse as bottling processes, machine covers, changing of cogs and drive belts. One-touch fasteners

provide a quick, simple and secure change over solution - no time waste in unfastening screws or other permanent fixings, and no opportunity for lost fixings in your machinery.  
 Temperature resistant to 180°C.

### Tips

Secure one-touch fasteners to your assembly with lanyards and retaining cables, see part no. 33250.

### Important Notes

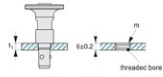
Suitable for panels/enclosures of 6 to 10mm thickness. For locating bushes see part no. 33920.  
 Recessed button handle means button is not exposed to accidental activation for added security.

Actuation:  
 push button: unlock (to pass pin through panels)  
 release button: lock to securely fasten.

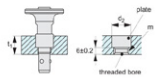
Order No.	For single panel thickness	$d_1$ -0.05   -0.10	$d_2$	$d_3$	$d_4$	$d_5$	$h_1$	$h_2$	Weight g
<b>33910.W1006</b>	6-10	6	12	25	8	-	22.0	18	30
<b>33910.W1610</b>	6-16	10	16	35	11	3	34.5	29	30

Order No.	$h_3$	$h_4$	$l_1$	$l_2$	$m$	A/F	Clamping force N	Shear strength N	Tensile strength N
<b>33910.W1006</b>	6	5.5	21.0	19.0	M 8x1,25	10	30	3000	500
<b>33910.W1610</b>	12	7.0	23.5	21.5	M12x1,50	13	50	9000	1500



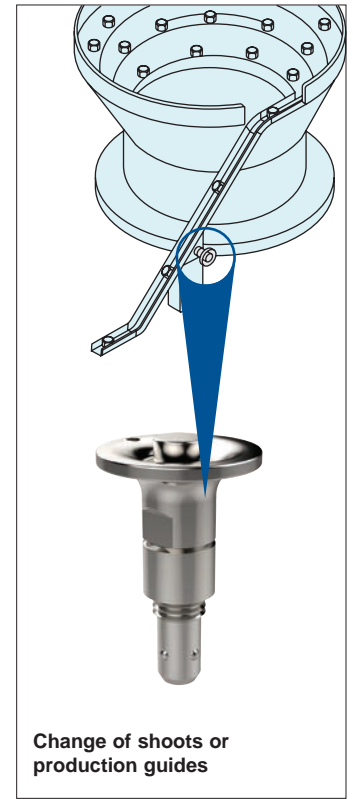
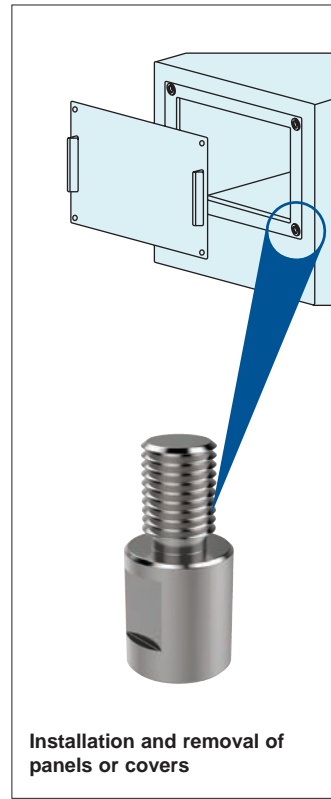
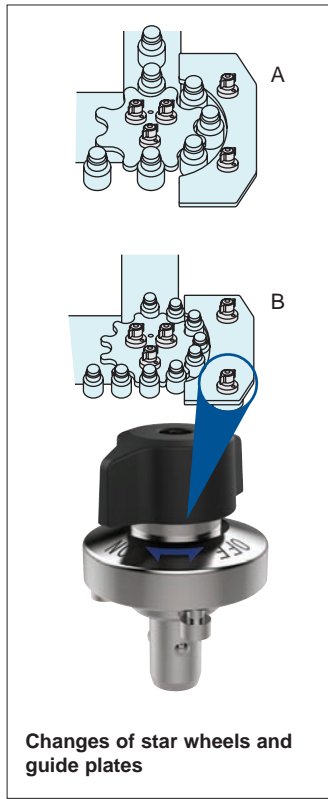
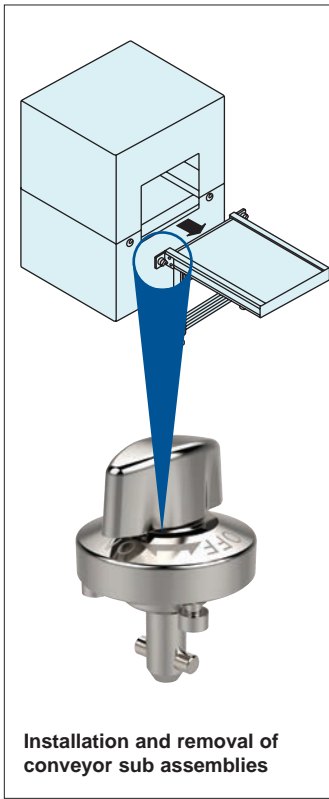
6mm panel thickness  
installation via threaded bore



6mm to 13mm panel thickness  
installation via recessed hole with  
threaded bore



### One-Touch Fasteners - Alternatives to Screws



ONE TOUCH FASTENERS

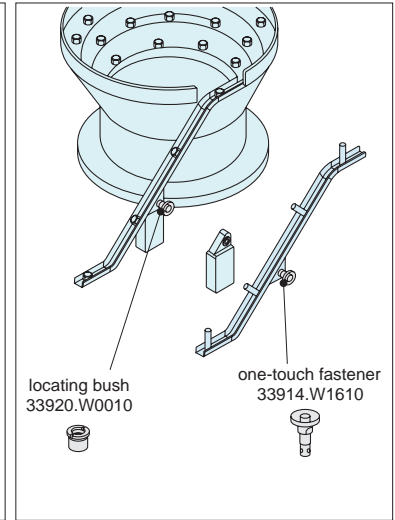
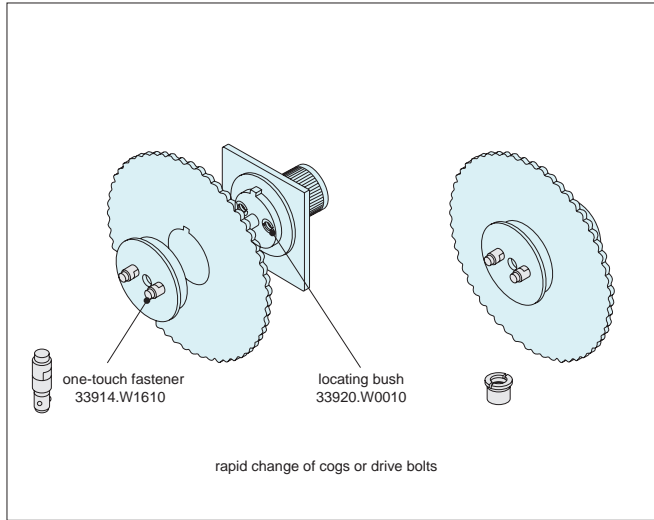
### Easy & Secure! For Quick Changeover with No Tools!



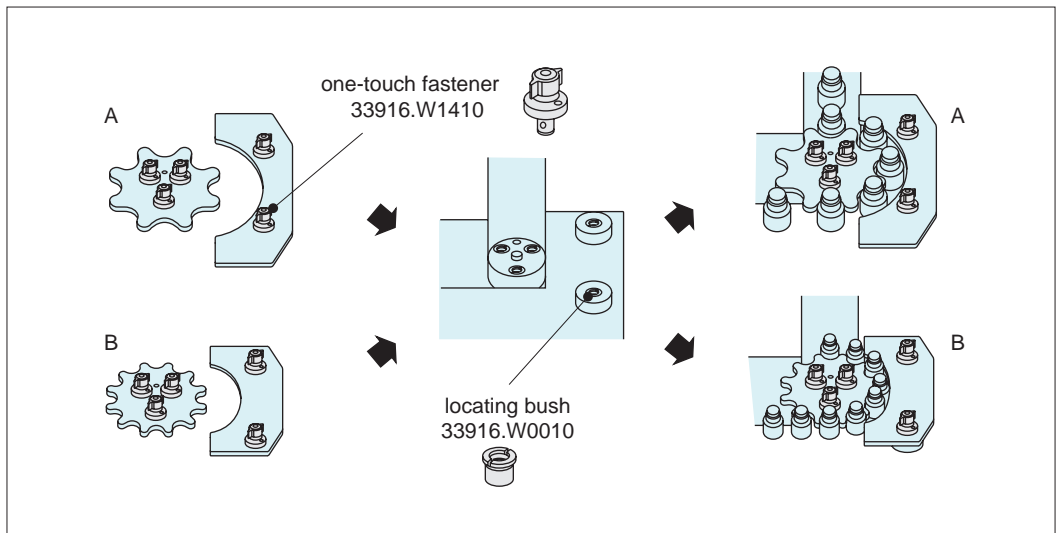


One-Touch Change Over

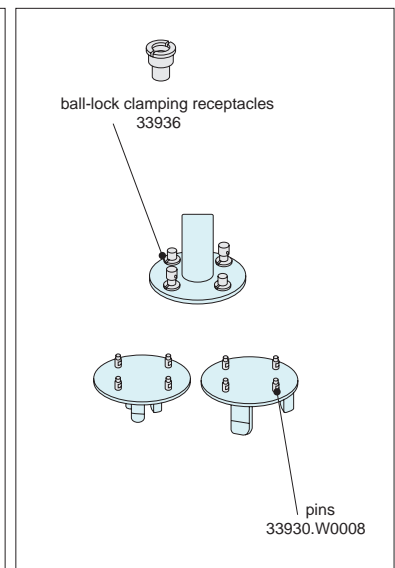
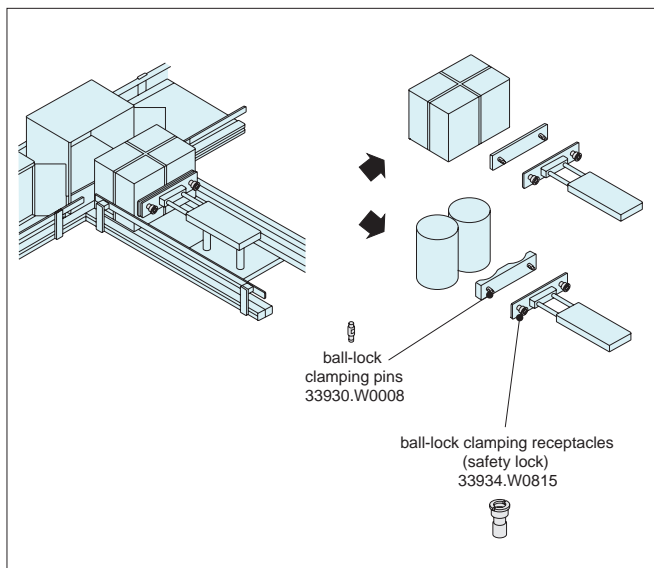
Installation and Removal of Rotary Blades and Changes of Shooters



Changes of Star Wheels and Guide Plates



Changes of Pusher and Changes of Chuck Handling Machines





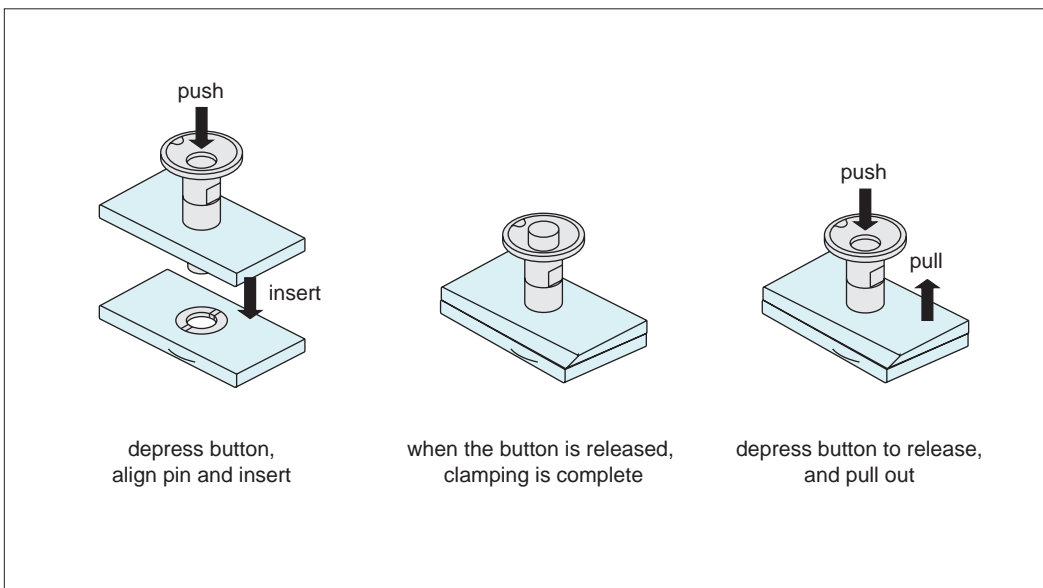
# One-Touch Fastener - Ball Locking

technical information

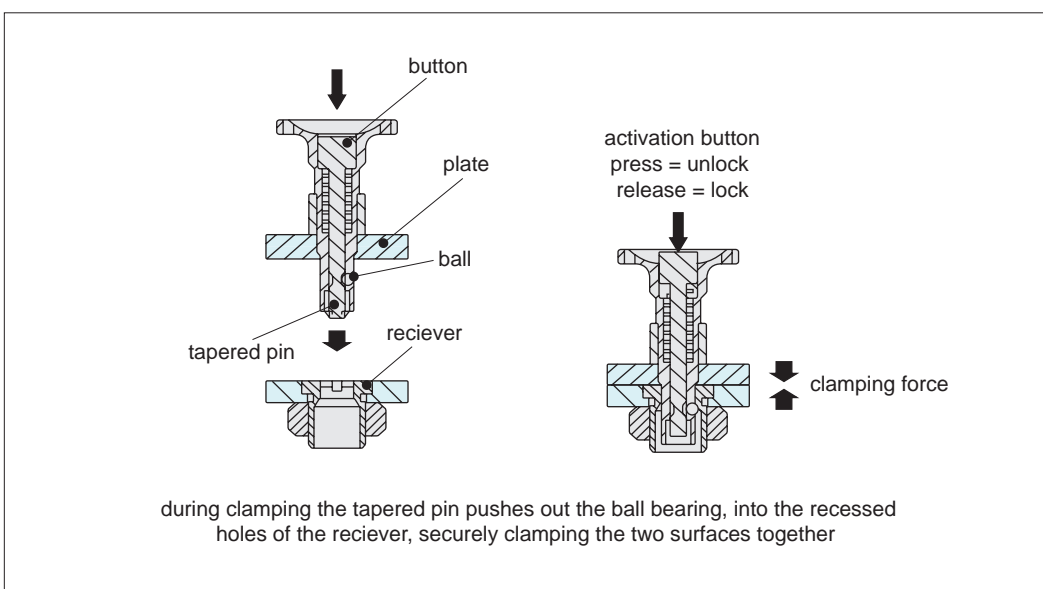
33910 - 33920

Positioning Elements

## Operating Instructions



## Operating Principle



ONE TOUCH FASTENERS

ov-W33910-A-T-W33920-A-T-ball-locking-one-touch-fasteners-a-rmh - Updated - 27-10-2022