

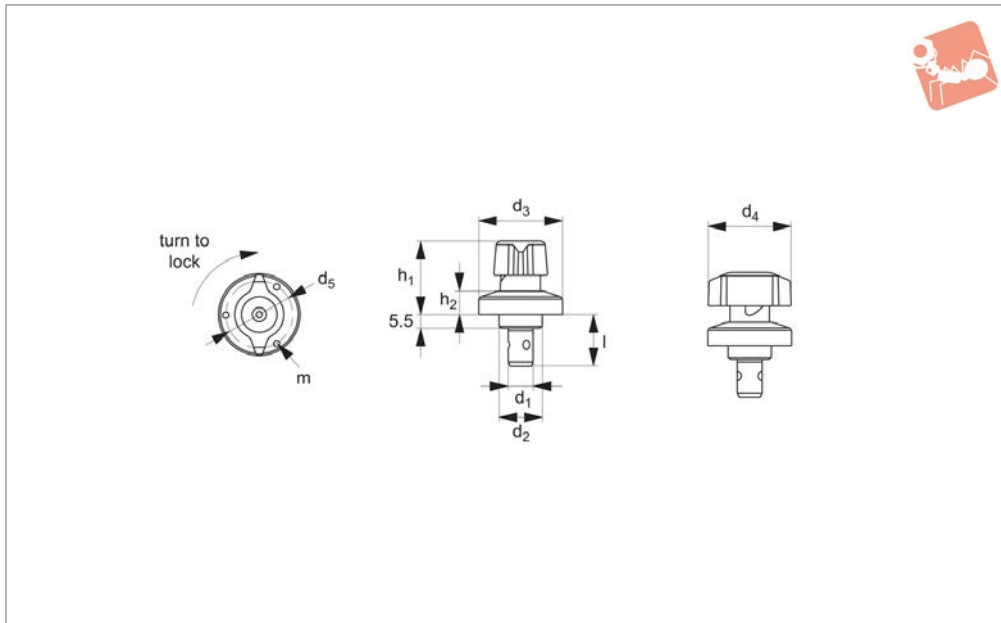


One-Touch Fastener - Ball Locking

quarter turn lock - t-handle grip - plastic



One Touch Fasteners



33916

ONE TOUCH FASTENERS

Material

Body & Shank: steel, nickel plated.
Knob: plastic, black.
Ball & Spring: Titanium G5.

Technical Notes

One-touch fasteners are the ideal solution for applications requiring rapid and recurring change over of tooling or set ups. Use in applications as diverse as bottling processes, machine covers, changing of cogs and drive belts. One-touch fasteners

provide a quick, simple and secure change over solution - no time wasted in unfastening screws or other permanent fixings, and no opportunity for lost fixings in your machinery.

Important Notes

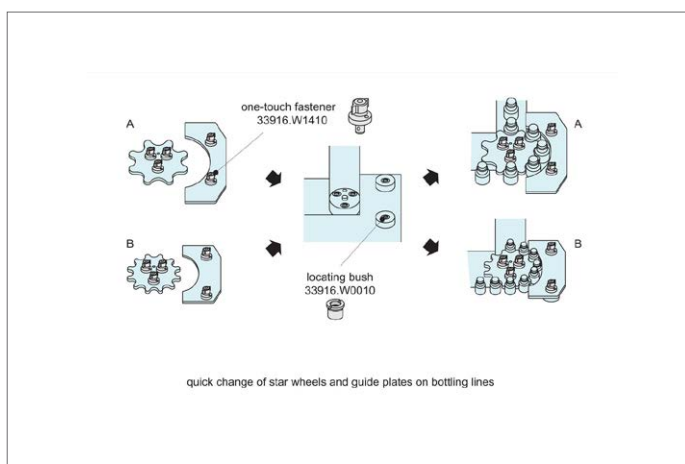
Suitable for panels/enclosures of 6 to 20mm thickness.
For locating bushes see part no. 33920.
Quarter turn handle, easy-to-read on/off position of the one-touch fastener for

increased security.
Temperature resistant to 180°C.

Actuation:

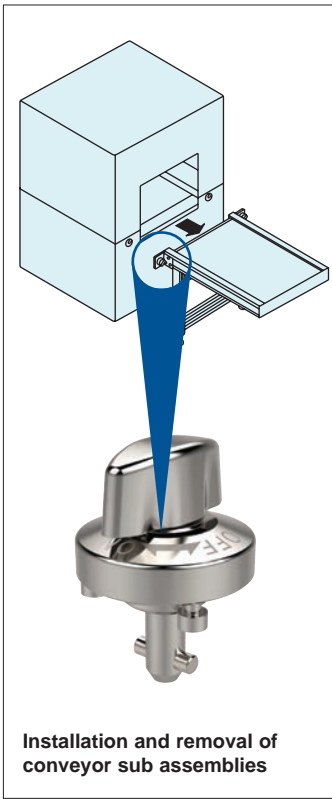
- Turn handle to off position: locking balls retract and are held in retracted position via notched catch.
- Pass fastener through panel.
- Turn handle 45° to on position: locking balls engage with locating bush, panels are securely fastened.

Order No.	For single panel thickness	d_1 -0.05 -0.10	d_2 tol. h9	d_3	d_4	d_5	h_1	h_2	l	m	Clamping force N	Weight g
33916.W1006	6-10	6	14	25	25	21	24.5	6.5	19.5	M 2x0,4	30	40
33916.W1410	6-14	10	18	34	34	28	31.0	10.0	21.5	M 3x0,5	50	95
33916.W2010	12-20	10	18	34	34	28	31.0	10.0	27.5	M 3x0,5	50	100

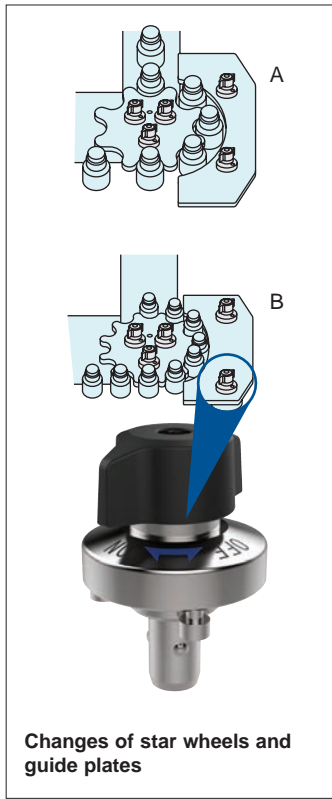




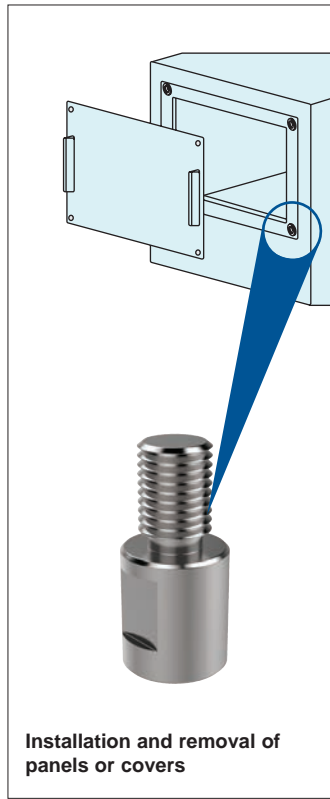
One-Touch Fasteners - Alternatives to Screws



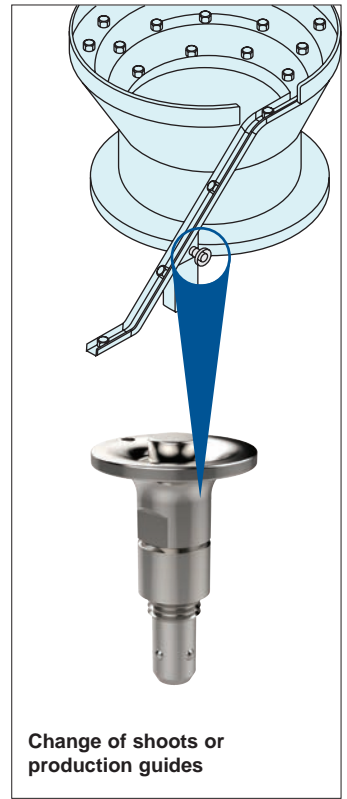
Installation and removal of conveyor sub assemblies



Changes of star wheels and guide plates



Installation and removal of panels or covers



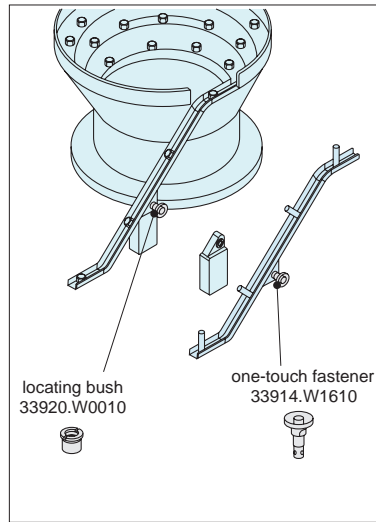
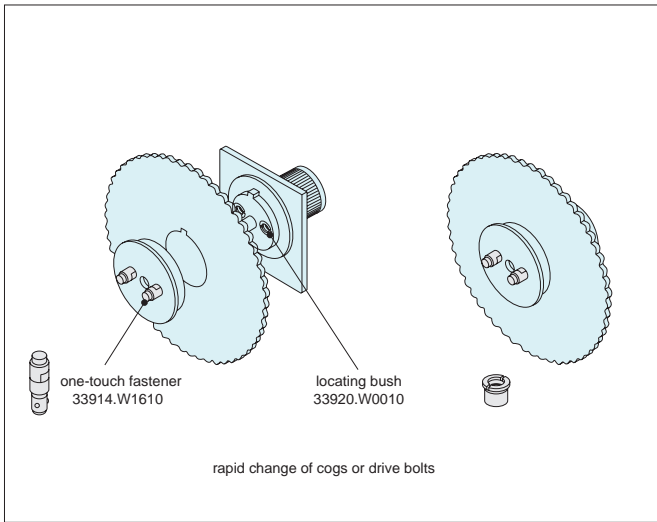
Change of shoots or production guides

Easy & Secure! For Quick Changeover with No Tools!



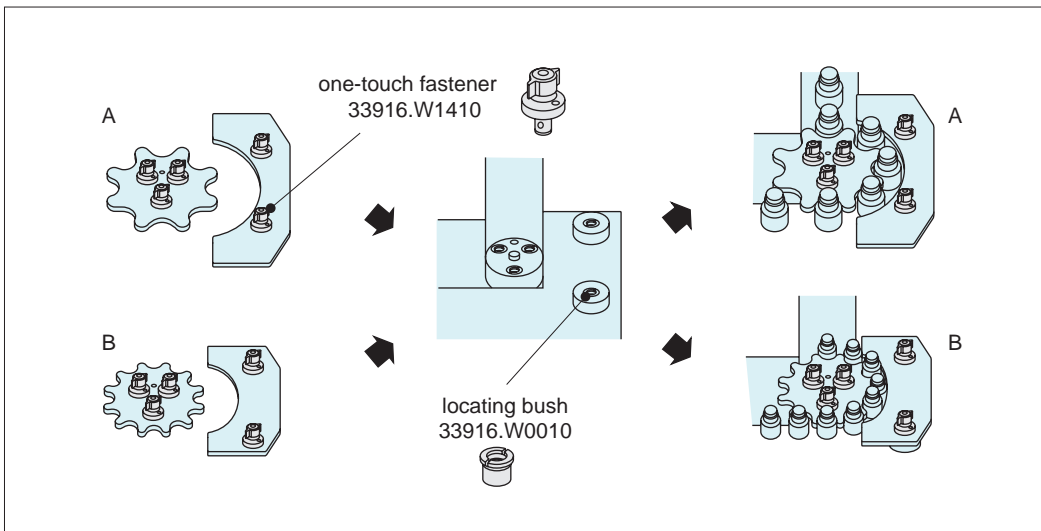


One-Touch Change Over

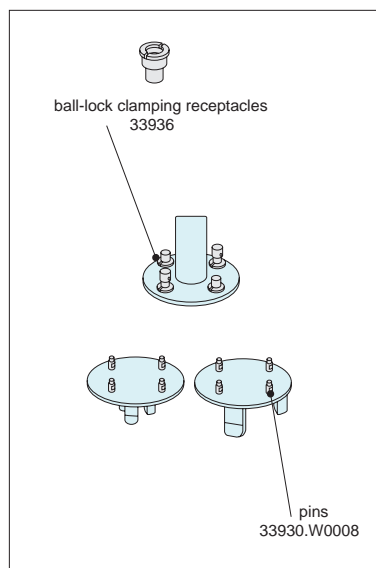
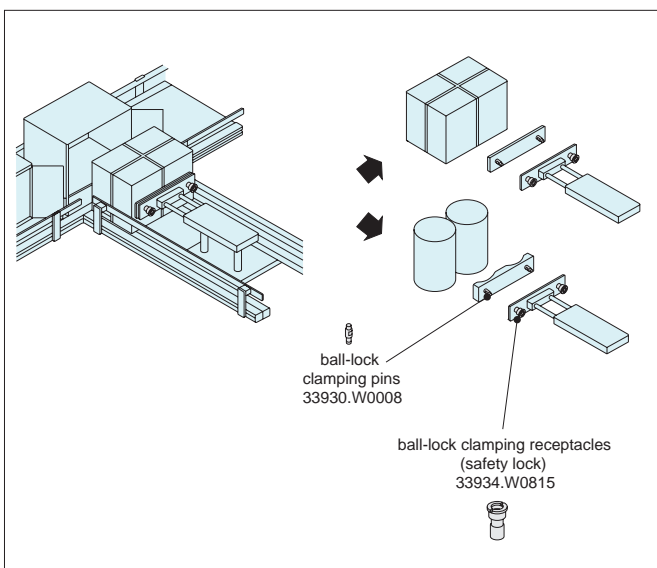


Installation and Removal of Rotary Blades and Changes of Shooters

ONE TOUCH FASTENERS



Changes of Star Wheels and Guide Plates

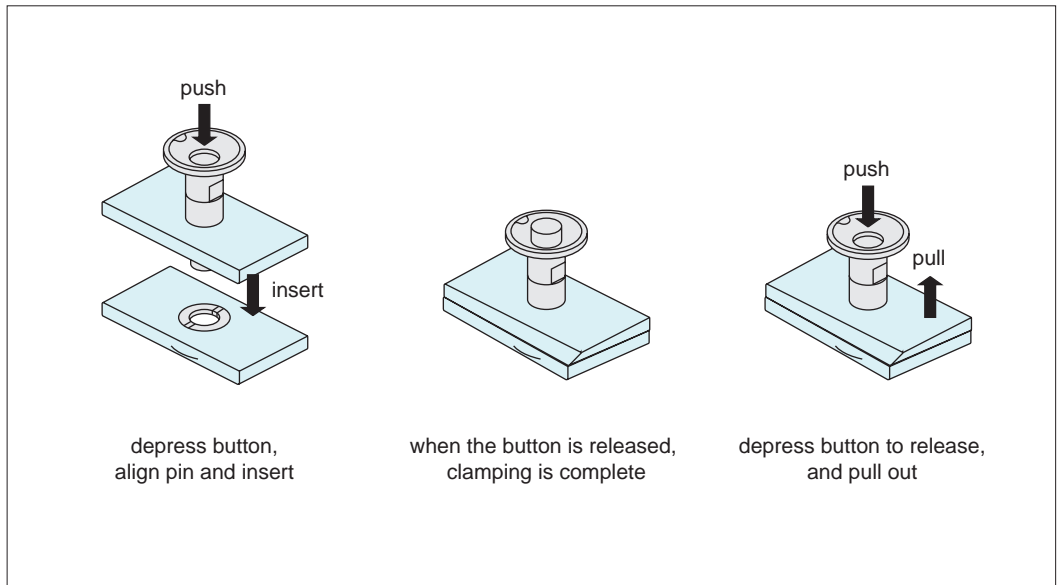


Changes of Pusher and Changes of Chuck Handling Machines

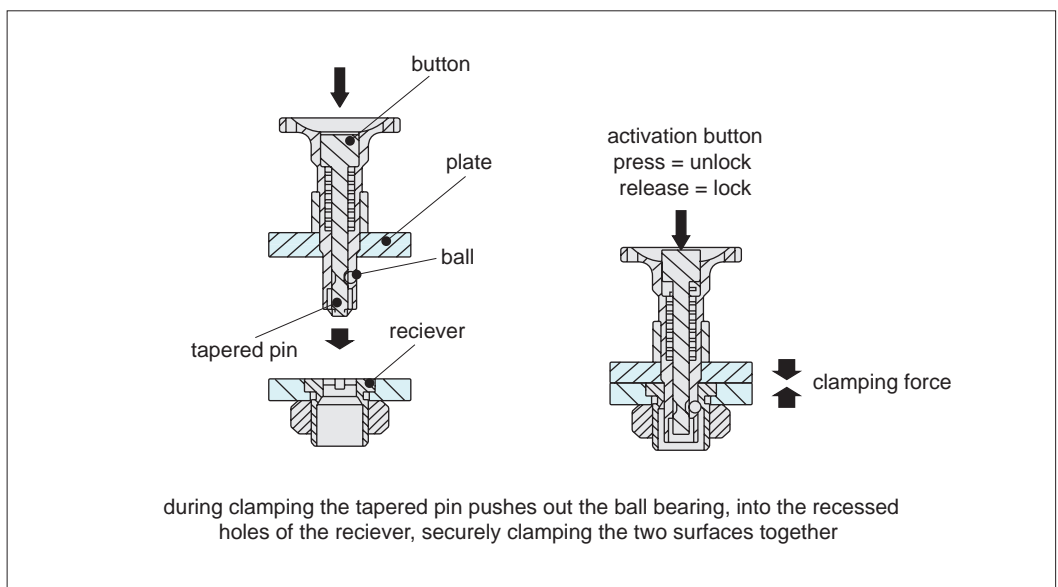
ov-W33910-A-T-W33956-A-T-one-touch-fasteners-b-rmh - Updated - 27-10-2022

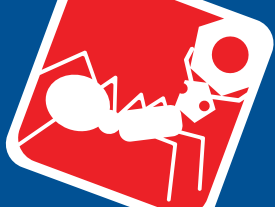


Operating Instructions



Operating Principle



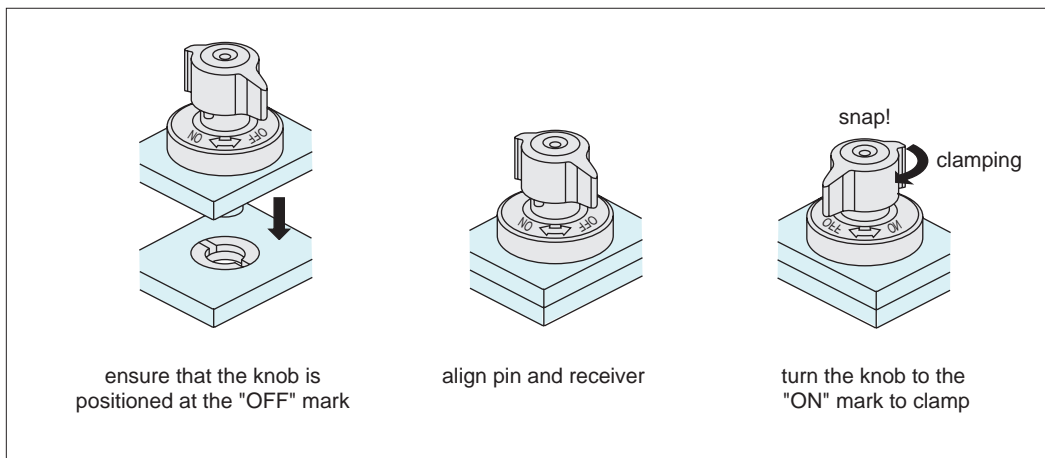


One-Touch Fastener - Ball Locking

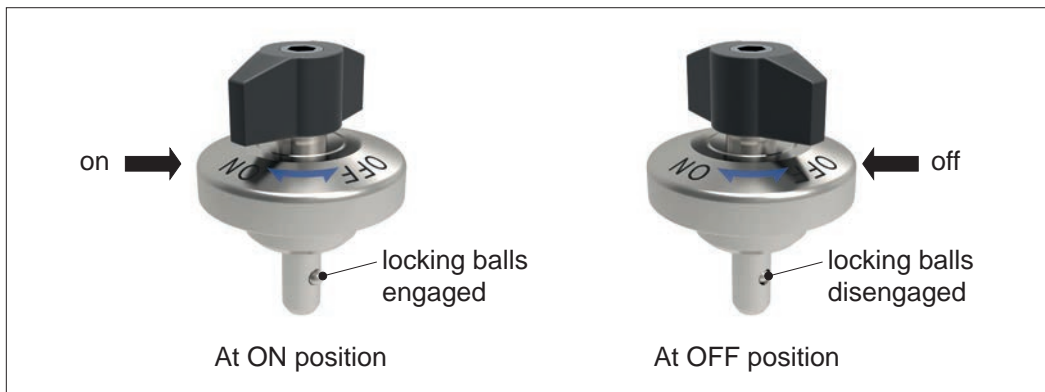
quarter turn - installation instructions

33916 - 33918
Positioning Elements

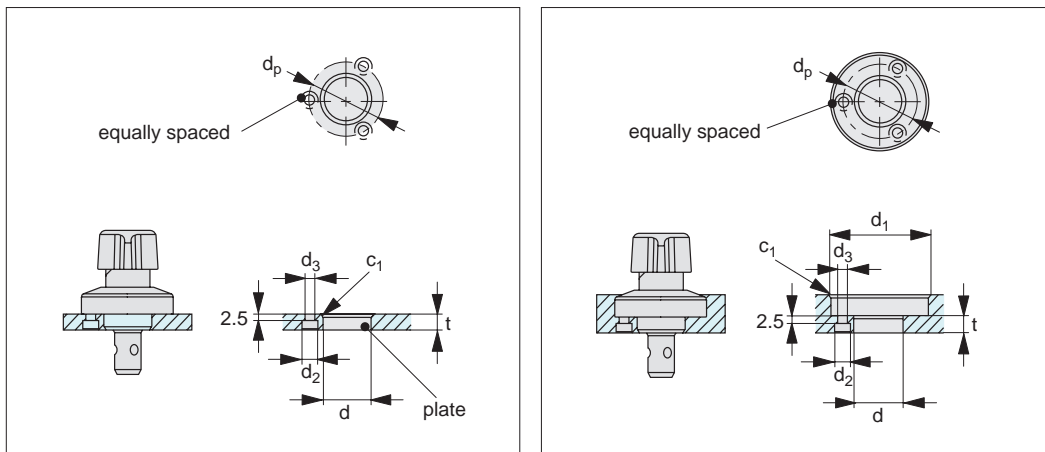
Operating Instructions



Easy Status Identification



Installation Dimensions for 33916-33918



Installation for 6mm panels

Installation for 6mm to 20mm panels

33916/17/18	Single panel thickness $t \pm 0,2$	$d_6 +0,1$ $+0,0$	d_7	d_8	d_9	d_5
.W1006	6	14	-	4,4	2,4	21
.W1006	6 to 10	14	26	4,4	2,4	21
.W1410	6	18	-	6,5	3,4	28
.W1410	6 to 14	18	35	6,5	3,4	28
.W2010	12	18	-	6,5	3,4	28
.W2010	12 to 20	18	35	6,5	3,4	28

Note: if two fasteners used, allow spacing tolerance of $\pm 0,1$ mm