

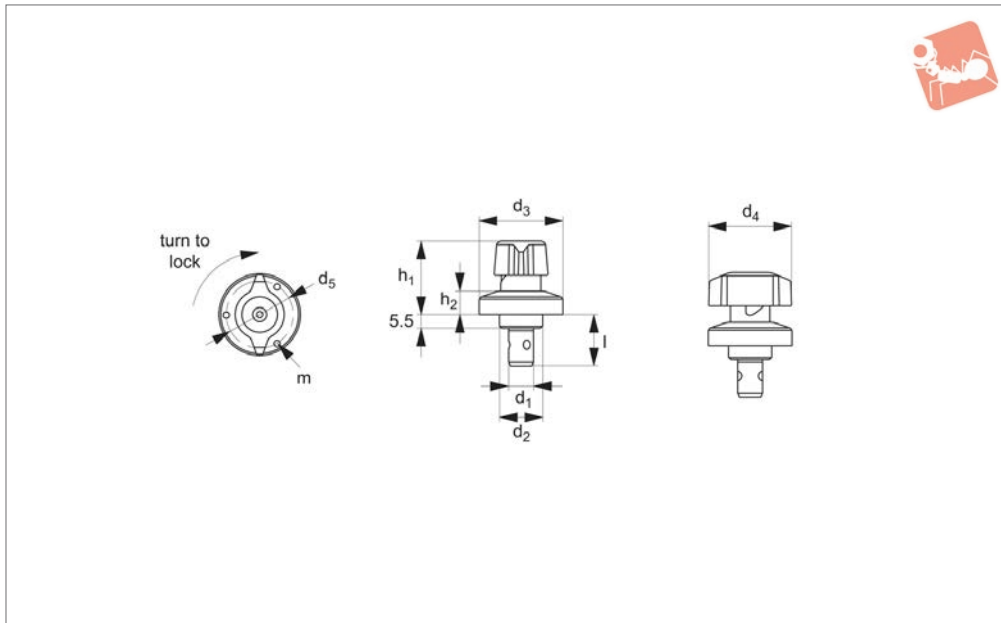


One-Touch Fastener - Ball Locking

quarter turn lock - t-handle grip - steel



One Touch Fasteners



33917

ONE TOUCH FASTENERS

Material

Body: stainless steel
 Shank: steel, nickel plated.
 Knob: stainless steel.
 Ball & spring: stainless steel.

Technical Notes

One-touch fasteners are the ideal solution for applications requiring rapid and recurring change over of tooling or set ups. Use in applications as diverse as bottling processes, machine covers, changing of cogs and drive belts. One-touch fasteners

provide a quick, simple and secure change over solution - no time wasted in unfastening screws or other permanent fixings, and no opportunity for lost fixings in your machinery.

Important Notes

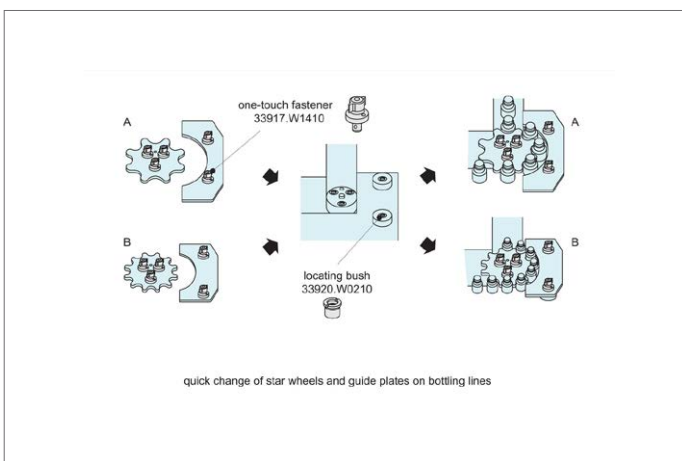
Suitable for panels/enclosures of 6 to 20mm thickness.
 For locating bushes see part no. 33920.
 Quarter turn handle, easy-to-read on/off position of the one-touch fastener for increased security.

Temperature resistant to 180°C.

Actuation:

- Turn handle to off position: locking balls retract and are held in retracted position via notched catch.
- Pass fastener through panel.
- Turn handle 45° to on position: locking balls engage with locating bush, panels are securely fastened.

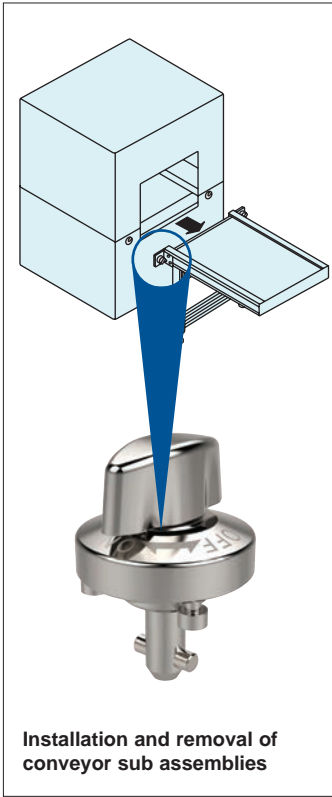
Order No.	For single panel thickness	d ₁ -0.05 -0.10	d ₂ tol. h9	d ₃	d ₄	d ₅	h ₁	h ₂	l	m	Clamping force N	Weight g
33917.W1006	6-10	6	14	25	25	21	24.5	6.5	19.5	M 2x0,4	30	40
33917.W1410	6-14	10	18	34	34	28	31.0	10.0	21.5	M 3x0,5	50	95
33917.W2010	12-20	10	18	34	34	28	31.0	10.0	27.5	M 3x0,5	50	100



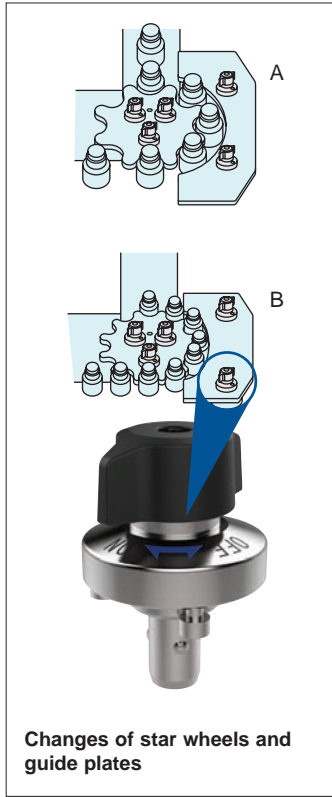


One-Touch Fasteners - Alternatives to Screws

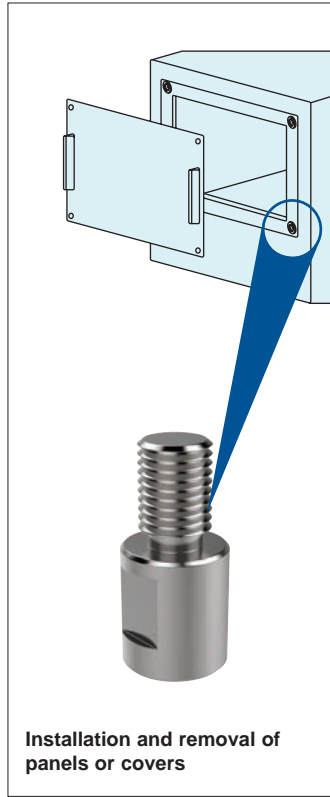
ONE TOUCH FASTENERS



Installation and removal of conveyor sub assemblies



Changes of star wheels and guide plates



Installation and removal of panels or covers



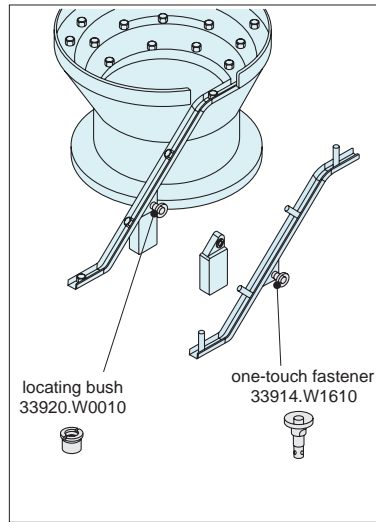
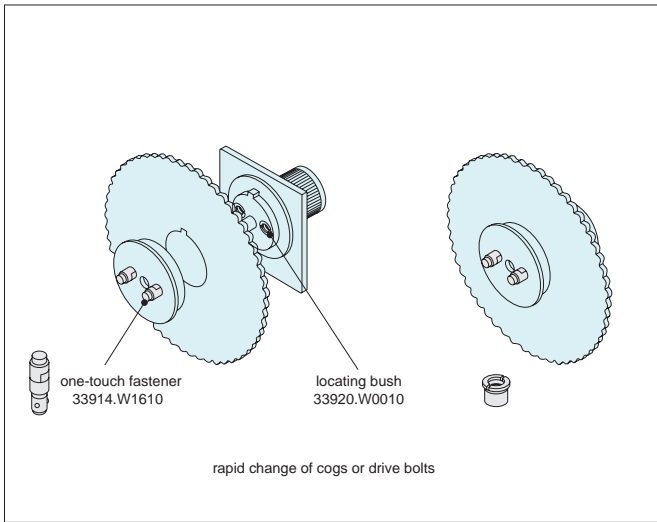
Change of shoots or production guides

Easy & Secure! For Quick Changeover with No Tools!



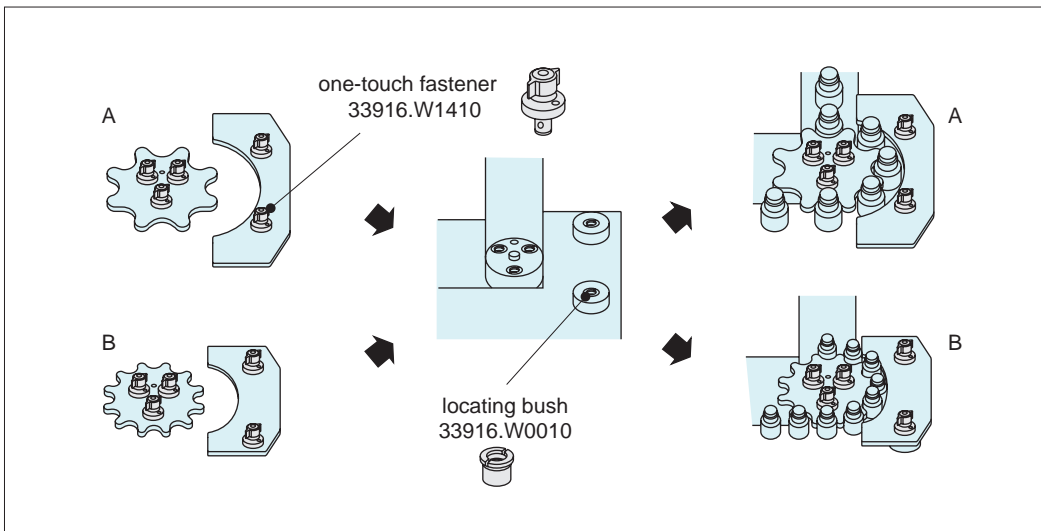


One-Touch Change Over

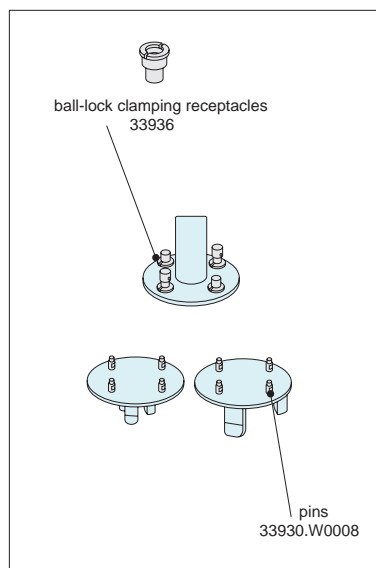
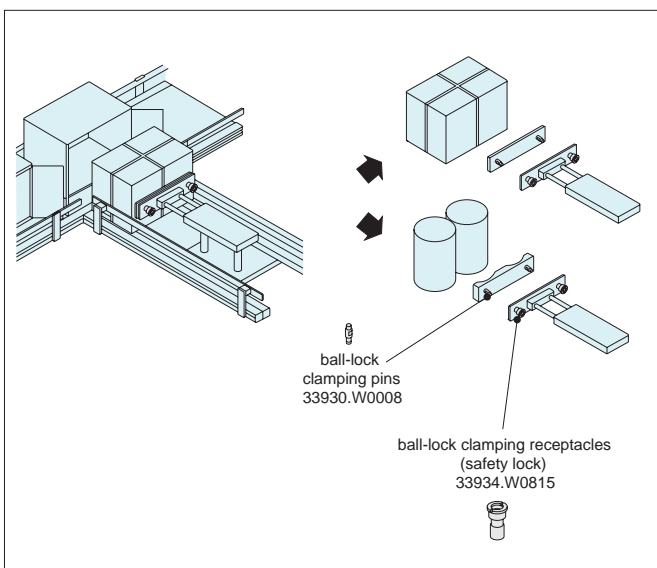


Installation and Removal of Rotary Blades and Changes of Shooters

ONE TOUCH FASTENERS



Changes of Star Wheels and Guide Plates

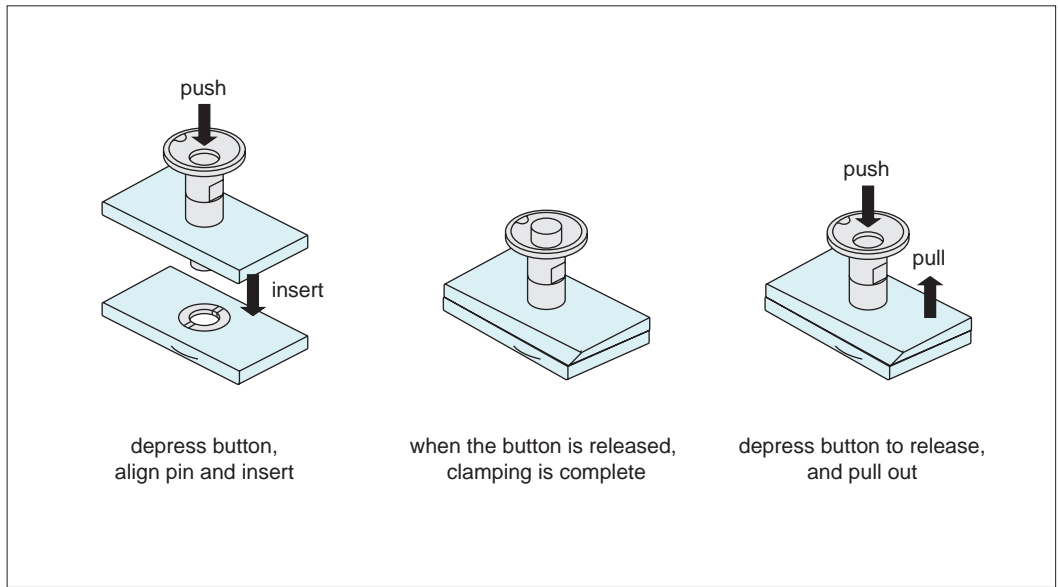


Changes of Pusher and Changes of Chuck Handling Machines

ov-W33910-A-T-W33956-A-T-one-touch-fasteners-b-rmh - Updated - 27-10-2022



Operating Instructions



Operating Principle

